

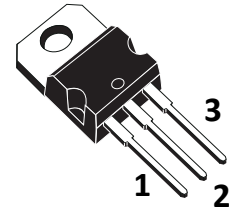


Features

- Output Voltage Range: 1.2V to 37V
- Output Current In Excess of 1.5A
- Epoxy Meets UL 94 V-0 Flammability Rating

Package Marking and Ordering Information

Product ID	Pack	Marking	Units Tube
LM317T	TO-220S	LM317T	50



TO-220S

1. Adj 2. Output 3. Input

Maximum Ratings

Parameter	Symbol	Value	Unit
Input Voltage	V_I	40	V
Output Current	I_o	1.5	A
Power Dissipation	P_D	Internally Limited	W
Operating Junction Temperature Range	T_{OPR}	0~125	°C
Storage Temperature Range	T_{STG}	-65~125	°C
Operating Junction Temperature Range	T_J	0~125	°C

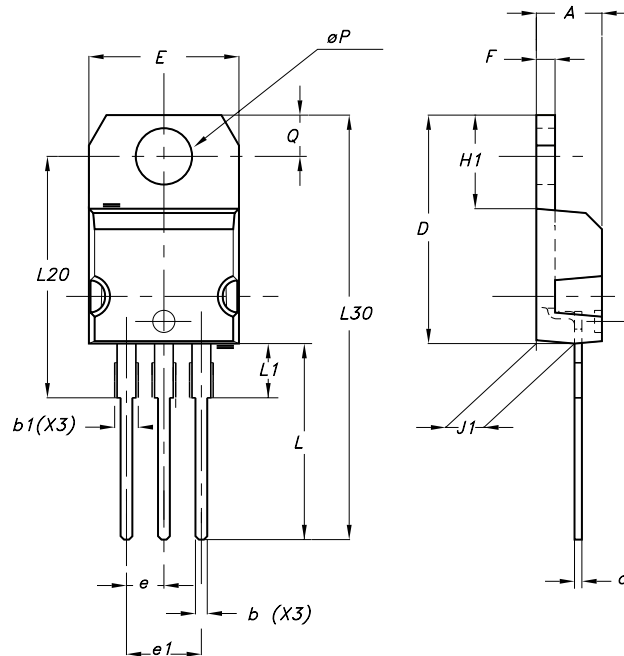
Electrical Characteristics @ 25°C

($V_i - V_o = 5V$, $I_o = 500mA$, $I_{MAX} = 1.5A$, $P_{MAX} = 20W$ Unless Otherwise Specified)

Parameter	Symbol	Test Conditions	Min	Typ	Max	Unit
Reference Voltage	V_{ref}	$V_i - V_o = 5V$, $I_o = 40mA$ to 500mA	1.20	1.25	1.30	V
Load Regulation	ΔV_o	$V_i - V_o = 5V$, $I_o = 5mA$ to 1.5A	-	-	1.0	%
Line Regulation	ΔV_o	$V_i - V_o = 3V$ to 40V, $I_o = 40mA$ to 500mA	-	-	0.05	%/V
Adjustment Pin Current	I_q	$V_i - V_o = 5V$, $I_o = 40mA$ to 500mA	-	-	100	μA
Adjustment Pin Current	$I_{q(V)}$	$V_i - V_o = 3V$ to 40V, $I_o = 40mA$ to 500mA	-	-	5	μA
Adjustment Pin Current	$I_{q(I)}$	$V_i - V_o = 5V$, $I_o = 5mA$ to 1.5A	-	-	5	μA
Ripple Rejection	Strip	$V_o = 10V$ $F = 100Hz$, $C_{ADJ} = 10\mu F$	66	-	-	dB



Package Information
TO-220S



DIM.	mm.			inch		
	MIN.	TYP.	MAX.	MIN.	TYP.	MAX.
A	4.40		4.60	0.173		0.181
b	0.61		0.88	0.024		0.034
b1	1.15		1.70	0.045		0.066
c	0.49		0.70	0.019		0.027
D	15.25		15.75	0.60		0.620
E	10		10.40	0.393		0.409
e	2.40		2.70	0.094		0.106
e1	4.95		5.15	0.194		0.202
F	1.23		1.32	0.048		0.052
H1	6.20		6.60	0.244		0.256
J1	2.40		2.72	0.094		0.107
L	13		14	0.511		0.551
L1	3.50		3.93	0.137		0.154
L20		16.40			0.645	
L30		28.90			1.137	
ϕP	3.75		3.85	0.147		0.151
Q	2.65		2.95	0.104		0.116



Attention

- Any and all HUA XUAN YANG ELECTRONICS products described or contained herein do not have specifications that can handle applications that require extremely high levels of reliability, such as life-support systems, aircraft's control systems, or other applications whose failure can be reasonably expected to result in serious physical and/or material damage. Consult with your HUA XUAN YANG ELECTRONICS representative nearest you before using any HUA XUAN YANG ELECTRONICS products described or contained herein in such applications.
- HUA XUAN YANG ELECTRONICS assumes no responsibility for equipment failures that result from using products at values that exceed, even momentarily, rated values (such as maximum ratings, operating condition ranges, or other parameters) listed in products specifications of any and all HUA XUAN YANG ELECTRONICS products described or contained herein.
- Specifications of any and all HUA XUAN YANG ELECTRONICS products described or contained herein stipulate the performance, characteristics, and functions of the described products in the independent state, and are not guarantees of the performance, characteristics, and functions of the described products as mounted in the customer's products or equipment. To verify symptoms and states that cannot be evaluated in an independent device, the customer should always evaluate and test devices mounted in the customer's products or equipment.
- HUA XUAN YANG ELECTRONICS CO.,LTD. strives to supply high-quality high-reliability products. However, any and all semiconductor products fail with some probability. It is possible that these probabilistic failures could give rise to accidents or events that could endanger human lives, that could give rise to smoke or fire, or that could cause damage to other property. When designing equipment, adopt safety measures so that these kinds of accidents or events cannot occur. Such measures include but are not limited to protective circuits and error prevention circuits for safe design, redundant design, and structural design.
- In the event that any or all HUA XUAN YANG ELECTRONICS products(including technical data, services) described or contained herein are controlled under any of applicable local export control laws and regulations, such products must not be exported without obtaining the export license from the authorities concerned in accordance with the above law.
- No part of this publication may be reproduced or transmitted in any form or by any means, electronic or mechanical, including photocopying and recording, or any information storage or retrieval system, or otherwise, without the prior written permission of HUA XUAN YANG ELECTRONICS CO.,LTD.
- Information (including circuit diagrams and circuit parameters) herein is for example only ; it is not guaranteed for volume production. HUA XUAN YANG ELECTRONICS believes information herein is accurate and reliable, but no guarantees are made or implied regarding its use or any infringements of intellectual property rights or other rights of third parties.
- Any and all information described or contained herein are subject to change without notice due to product/technology improvement, etc. When designing equipment, refer to the "Delivery Specification" for the HUA XUAN YANG ELECTRONICS product that you intend to use.