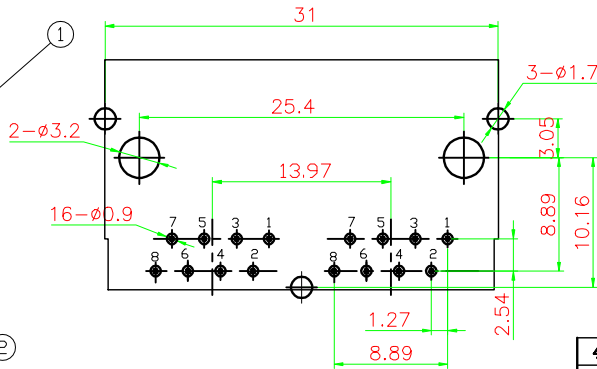
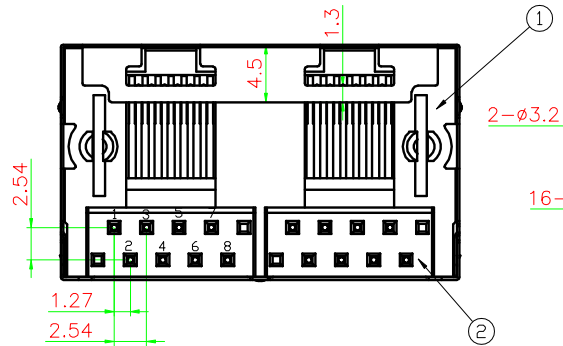
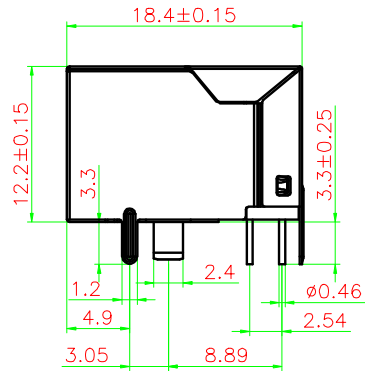
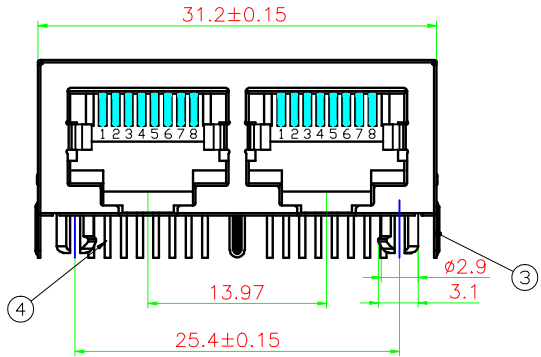
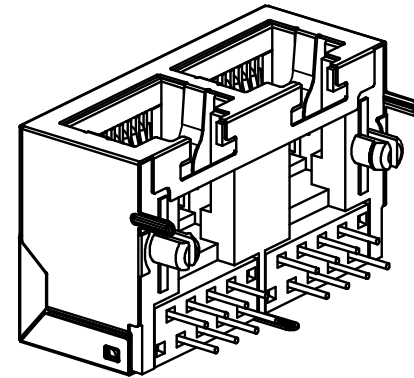




General Specification
 Current Rating: 1.5A DC /Contact, 20mA DC for LED signals
 Voltage Rating: 125V AC /Contact, 2.0 volts DC for LED signals
 Operating Environment
 Standard Temperature: -20°C~+70°C
 Industrial Temperature: -40°C~+85°C
 Humidity: 20~70%
 Contact Resistance: ≤30mΩ
 Insulation Resistance: ≥500MΩ
 Dielectric Strength: 500V AC/(50HZ)/Min
 Mating And Unmating Force: 3~20N
 Durability: 750 Cycles Min

Material Specification
 Housing :Thermo-plastic, UL94V-0.
 Contact :Alloy Copper
 Shield :Alloy Copper
 Please refer to the customer drawing when customer has specified



PCB LAYOUT
RECOMMENDED

4	插针	PHOSPHOR BRONZE	16	FU ^o	
3	屏蔽	H62	1	NI	
2	后盖	PA46	2	BLACK	
1	插座	PA46	1	BLACK	
序号	名称	材料	数量	镀层/颜色	备注

网络插座外形图

温州瑞川电子有限公司
 WEN ZHOU RUI CHUAN ELECTRONIC CO., LTD.

一般公差	品名:	RGH-56-21-12(无弹)带背脚		
90~	±0.25	料号:	562112-80002110AB33 (RC01236)	
10~30	±0.20	型号:	RJ45	图号:
~10	±0.16	版本:	单位:mm	比例: 1:1
角度:	±2°	纸张:	A4	
页面:	1 of 1			

网络插座外形图	绘图:	日期:			
	审核:	日期:			
	核准:	日期:			
版次	变更履历	变更单号	绘制	日期	核准: