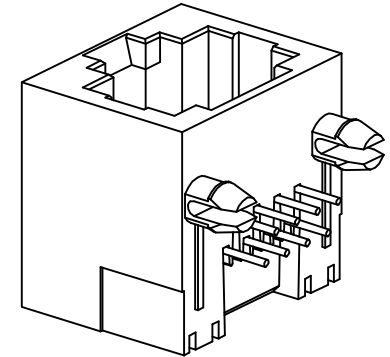


General Specification

Current Rating: 1.5A DC /Contact, 20mA DC for LED signals
 Voltage Rating: 125V AC /Contact, 2.0 volts DC for LED signals
 Operating Environment
 Standard Temperature: -20℃~+70℃
 Industrial Temperature: -40℃~+85℃
 Humidity: 20~70%
 Contact Resistance: ≤30mΩ
 Insulation Resistance: ≥500MΩ
 Dielectric Strength: 500V AC/(50HZ)/Min
 Mating And unmating Force: 3~20N
 Durability: 750 Cycles Min

Material Specification

Housing :Thermo-plastic, UL94V-0.
 Contact :Alloy Copper
 Shield :Alloy Copper
 Please refer to the customer drawing when customer has specified



2	插针	PHOSPHOR BRONZE	8	FU*	
1	塑座	PA46	1	BLACK	
序号	名称	材料	数量	镀层/颜色	备注

网络插座外形图



温州瑞川电子有限公司
 WEN ZHOU RUI CHUAN ELECTRONIC CO., LTD.

一般公差
 30~ ±0.25
 10~30 ±0.20
 ~10 ±0.15
 角度: ±2°
 页面: 1 of 1

绘图: 吴鹏飞 日期: 2022.4.8
 审核: 冯清德 日期:
 核准: 日期:

品名: RCH-56-31(全塑无灯)
 料号: RCH5631-80000010AB30 (RC00173)
 型号: RJ45 图号:
 版本: 单位:mm 比例: 1:1 纸张: A4

A/0 新出版发行

版次 变更履历

变更单号 绘制 日期

核准: 日期: