

Multiple Voltage Regulator R2S25404SP

Car Audio Use

Features

- Low stand by current 50uAtyp
- 6 channel outs
- Serial interface built-in

Functions

- 5.0V or 3.3V out for MCU
- +B back up port
- Reset function with delay time
- Diagnostic function at Hi side switch for EXTOUT&ANTOUT
- Switching out with synchronize for CD
- Switching out with synchronize for DSP
- Low voltage Reg. out for decoder

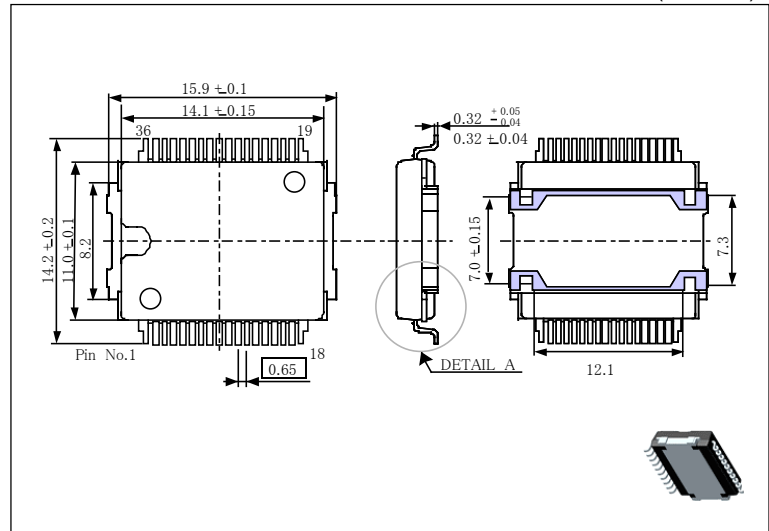
Detector & Warning for Reliability

- High surge protection at +Bc&+BUP
- Thermal shutdown protection
- ESD protection at all pins
- Feedback current limit protection all regulators

Package

- Superior heat radiation capability
- Surface mount type
- Lead Pb free
- Small size

FP-36DT (Unit: mm)



Block Diagram

