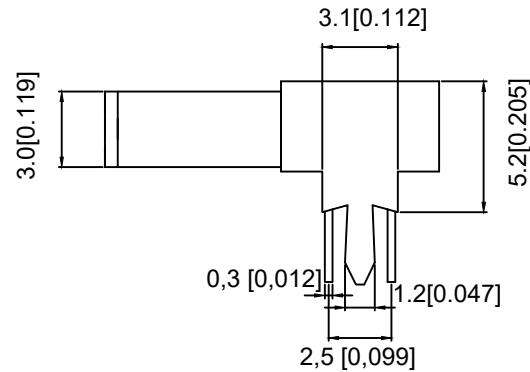
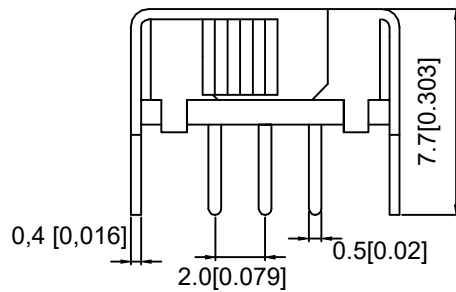


SCHEMATIC (NON-SHORTING)

P.C.B LAYOUT
BOTTOM VIEW



RATING	0.3A 50V DC
CIRCUIT	1P2T
CONTACT RESISTANCE	100MΩ MAX
TRAVEL	2MM
OPERATING FORCE	250±100gf
OPERATING LIFE	10000

A4				
A3				
A2				
A1				
REV	DATE	REVISION	DESCRIPTION	ISSUE

COMMON TOLERANCE

X.XX	± 0.10
X.X	± 0.15
X	± 0.25

ANGULAR

UNIT	MM	PROJECTED		PRODUCT NAME:
DRAWN BY	FUYUAN	CHECKED BY	COCO	MODEL NO: SK-22D02-4
DATE	2019	APPROVAL B	ALEN	Https: www.rocpu.tw

ROCPU TECHNOLOGY CO.,LTD

Copies are issued in strict confidence and shall not be reproduced or copied, or used as the basic of manufacture or sale of apparatus without permission