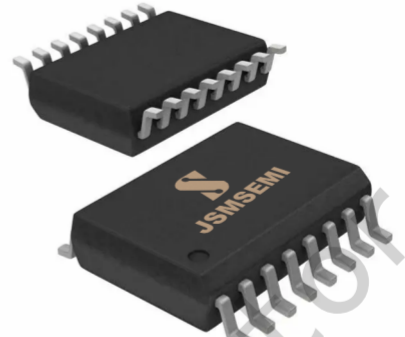


1 Description

The FAN7392MX is a high voltage, high speed power MOSFET drivers with dependent high- and low-side referenced output channels. Proprietary HVIC and latch immune CMOS technologies enable ruggedized monolithic construction. The logic input is compatible with standard CMOS or LSTTL output, down to 3.3 V logic. The output drivers feature a high pulse current buffer stage designed for minimum driver cross-conduction. The floating channel can be used to drive an N-channel power MOSFET in the high-side configuration which operates up to 700 V. It can work in the temperature range of -40°C to 125°C .

2 Features and Benefits

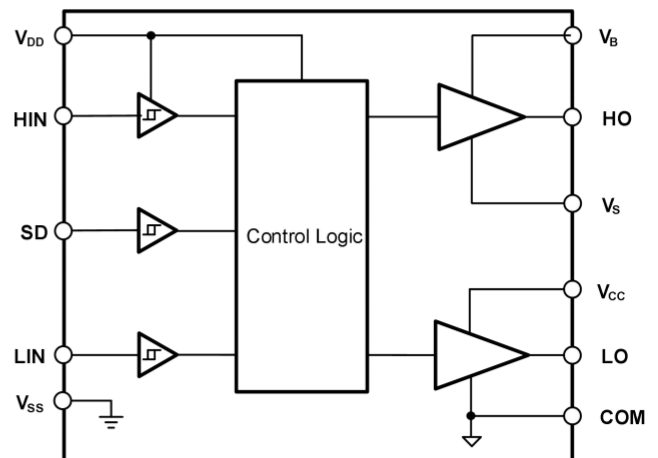
- Floating channel designed for bootstrap operation
- Fully operational to +700 V
- 3.3V, 5V and 15V input logic compatible
- Tolerant to negative transient voltage
- dV/dt immune
- Allowable negative V_s capability: -9V
- Gate drive supply range from 10V to 20V
- Separate logic supply range from 3.3V to 20V
- Logic and power ground $\pm 5\text{V}$ offset
- Undervoltage lockout for both channels
- Cycle by cycle edge-triggered shutdown logic
- Matched propagation delay for both channels
- Wide operating temperature range -40°C ~ 125°C
- Typically output Source/Sink current capability: 4A/4A
- RoSH compatible



Application

- UPS Universal inverter
- Half-bridge and full-bridge converters in AC and DC power supplies
- High-density switching power supplies for servers, telecommunications, IT and industrial infrastructure
- Solar inverter and motor driver

Functional Block Diagram



4 Function Pin Description

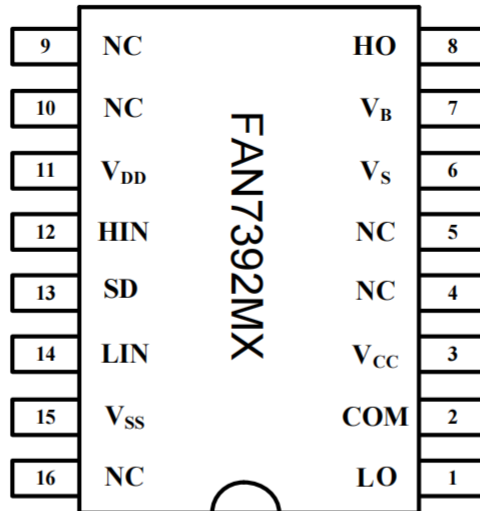


Figure 4-1 16-Pin SOIC(W) Top view

Table 4-1 Lead Definitions

Number	Symbol	Description
1	LO	Low side gate drive output
2	COM	Low side return
3	V _{CC}	Low side supply
6	V _S	High side floating supply return
7	V _B	High side floating supply
8	HO	High side gate drive output
11	V _{DD}	Logic supply
12	HIN	Logic input for high side gate driver output (HO), in phase
13	SD	Logic input for shutdown
14	LIN	Logic input for low side gate driver output (LO), in phase
15	V _{SS}	Logic ground

5 Product specifications

5.1 Absolute Maximum Ratings

Exceeding the limit maximum rating may cause permanent damage to the device. All voltage parameters are rated with reference to VSS and an ambient temperature of 25°C.

Symbol	Definition	MIN.	MAX.	Units
V _B	High side floating supply	-0.3	725	V
V _S	High side floating supply return	V _B - 25	V _B + 0.3	
V _{HO}	High side gate drive output	V _S - 0.3	V _B + 0.3	
V _{CC}	Low side and main power supply	-0.3	25	
V _{LO}	Low side gate drive output	-0.3	V _{CC} + 0.3	
V _{DD}	Logic supply	-0.3	V _{SS} +25	
V _{SS}	Logic ground	-5	+5	
V _{IN}	Logic input of HIN & LIN	-0.3	V _{CC} + 0.3	
dV _S /dt	Allowable Offset Supply Voltage Transient	—	50	V/ns

5.2 ESD rating

Symbol	Definition	MIN.	MAX.	Units
ESD	HBM Model	1500	—	V
	Machine Model	500	—	V

5.3 Rated power

Symbol	Definition	MIN.	MAX.	Units
P _D	Package Power Dissipation @ TA ≤25°C	—	625	mW

5.4 Thermal information

Symbol	Definition	MIN.	MAX.	Units
R _{thJA}	Thermal Resistance, Junction to Ambient	--	200	°C/W
T _J	Junction Temperature	—	150	°C
T _S	Storage Temperature	-55	150	
T _L	Lead Temperature (Soldering, 10 seconds)	—	300	

5.5 Recommended Operating Conditions

For proper operation, the device should be used under the following recommended conditions. The bias ratings of VS and VSS are measured at a supply voltage of 15V, and unless otherwise specified, the ratings of all voltage parameters are referenced to VSS and the ambient temperature is 25°C.

Symbol	Definition	MIN.	MAX.	Units
V _B	High side floating supply	V _S + 10	V _S + 20	V
V _S	High side floating supply return	-9	700	
V _{HO}	High side gate drive output	V _S	V _B	
V _{CC}	Low side and main power supply	10	20	
V _{LO}	Low side gate drive output	0	V _{CC}	
V _{DD}	Logic supply	V _{SS} + 3	V _{SS} + 20	
V _{SS}	Logic ground	-5	5	
V _{IN}	Logic input of HIN & LIN	0	V _{CC}	
T _A	Ambient temperature	-40	125	°C

Note1: Transient negative VS can be used for VSS-50V with a pulse width of 50ns, guaranteed by design..

Note2: When the input pulse width is less than 1us, the input pulse cannot be transmitted normally .

5.6 Electrical Characteristics

Valid for temperature range at $T_A = 25^\circ\text{C}$, $V_{DD} = V_{CC} = V_B = 15\text{V}$, $C_L = 1\text{nF}$, unless otherwise specified

5.6.1 Dynamical electrical characteristics

Symbol	Definition	MIN.	TYP.	MAX.	Units	Test Condition
t_{ON}	Turn-on propagation delay	—	130	200	ns	$V_S = 0\text{V}$
t_{OFF}	Turn-off propagation delay	—	130	200	ns	$V_S = 700\text{V}$
t_{sd}	Shutdown propagation delay	—	130	200	ns	$V_S = 700\text{V}$
t_R	Turn-on rise time	—	25	35	ns	
t_F	Turn-off fall time	—	17	25	ns	
MT	Matched propagation time delay	—	—	10	ns	

5.6.2 Static electrical characteristics

Valid for temperature range at $T_A = 25^\circ\text{C}$, $V_{CC} = V_B = 15\text{V}$, $C_L = 1\text{nF}$, unless otherwise specified.

Symbol	Definition	MIN.	TYP.	MAX.	Units	Test Condition
V_{CCUV+}	VCC supply UVLO threshold	8	8.9	9.8	V	
V_{CCUV-}		7.4	8.2	9.0	V	
$V_{CCUVHYS}$	hysteresis of V_{CC} UVLO	—	0.7	—	V	
V_{BSUV+}	VBS supply UVLO threshold	8	8.9	9.8	V	
V_{BSUV-}		7.4	8.2	9.0	V	
$V_{BSUVHYS}$	hysteresis of V_{BS} UVLO	—	0.7	—	V	
I_{LK}	High-side floating supply leakage current	—	—	50	μA	$V_B = V_S = 700\text{V}$
I_{QBS}	Quiescent VB supply current	—	70	120	μA	$V_{IN} = 0\text{V}$ or V_{DD}
I_{QCC}	Quiescent VCC supply current	—	120	240	μA	$V_{IN} = 0\text{V}$ or V_{DD}
I_{QDD}	Quiescent VDD supply current	—	15	30	μA	$V_{IN} = 0\text{V}$ or V_{DD}
V_{IH}	Logic "1" (HIN&LIN) input voltage	9.5	—	—	V	$V_{CC} = 10\text{V}$ to 20V
V_{IL}	Logic "0" (HIN&LIN) input voltage	—	—	6	V	$V_{CC} = 10\text{V}$ to 20V
V_{OH}	High level output voltage, $V_{BIAS} - V_O$	—	—	1.4	V	$I_O = 0\text{A}$
V_{OL}	Low level output voltage, V_O	—	—	0.1	V	$I_O = 0\text{A}$
I_{IN+}	Logic "1" Input bias current	—	20	40	μA	$V_{IN} = V_{DD}$
I_{IN-}	Logic "0" Input bias current	—	—	2	μA	$V_{IN} = 0\text{V}$
I_{O+}	Output high short circuit pulsed current	3	4	—	A	$V_O = 0\text{V}$, $V_{IN} = V_{DD}$ $PW \leq 10\mu\text{s}$
I_{O-}	Output low short circuit pulsed current	3	4	—	A	$V_O = 15\text{V}$, $V_{IN} = V_{DD}$ $PW \leq 10\mu\text{s}$

6 Function Description

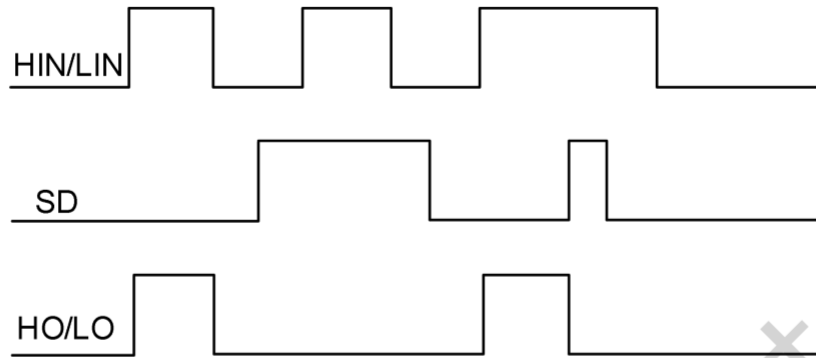


Figure 6-1 Input and output timing waveform

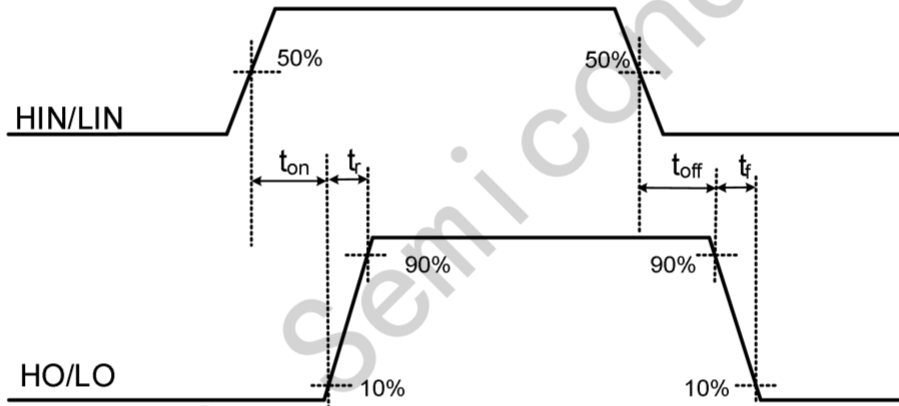


Figure 6-2 Propagation Time Waveform Definition

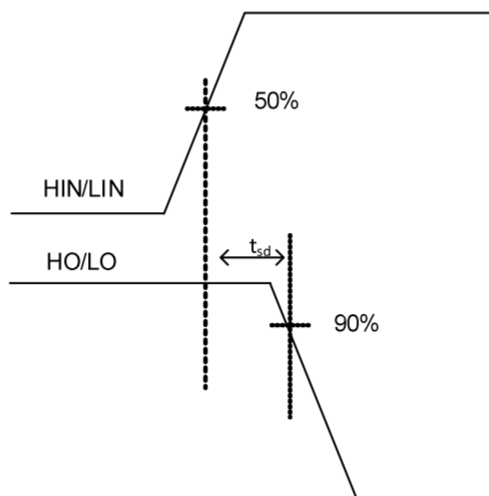


Figure 6-3 Shutdown Propagation Time Waveform Definition

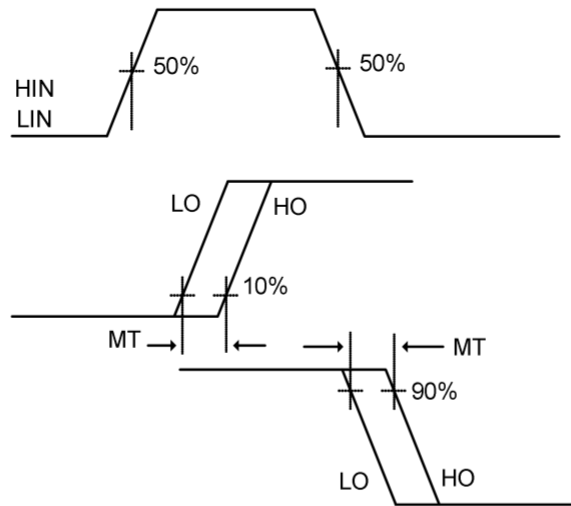


Figure 6-4 Matched propagation time delay Waveform Definition

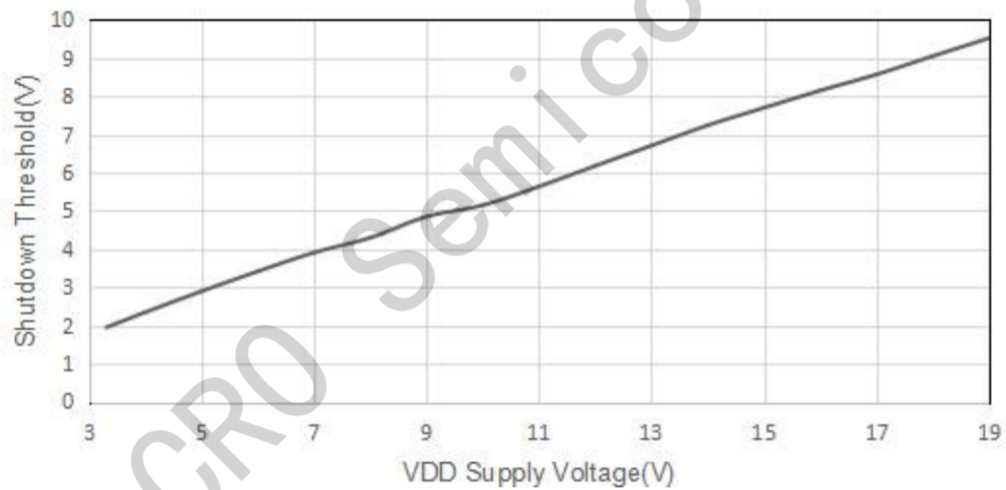


Figure 6-5 Mapping between input threshold voltage and VDD voltage (Typical)

7 FAN7392MX Description

7.1 Function Block Diagram

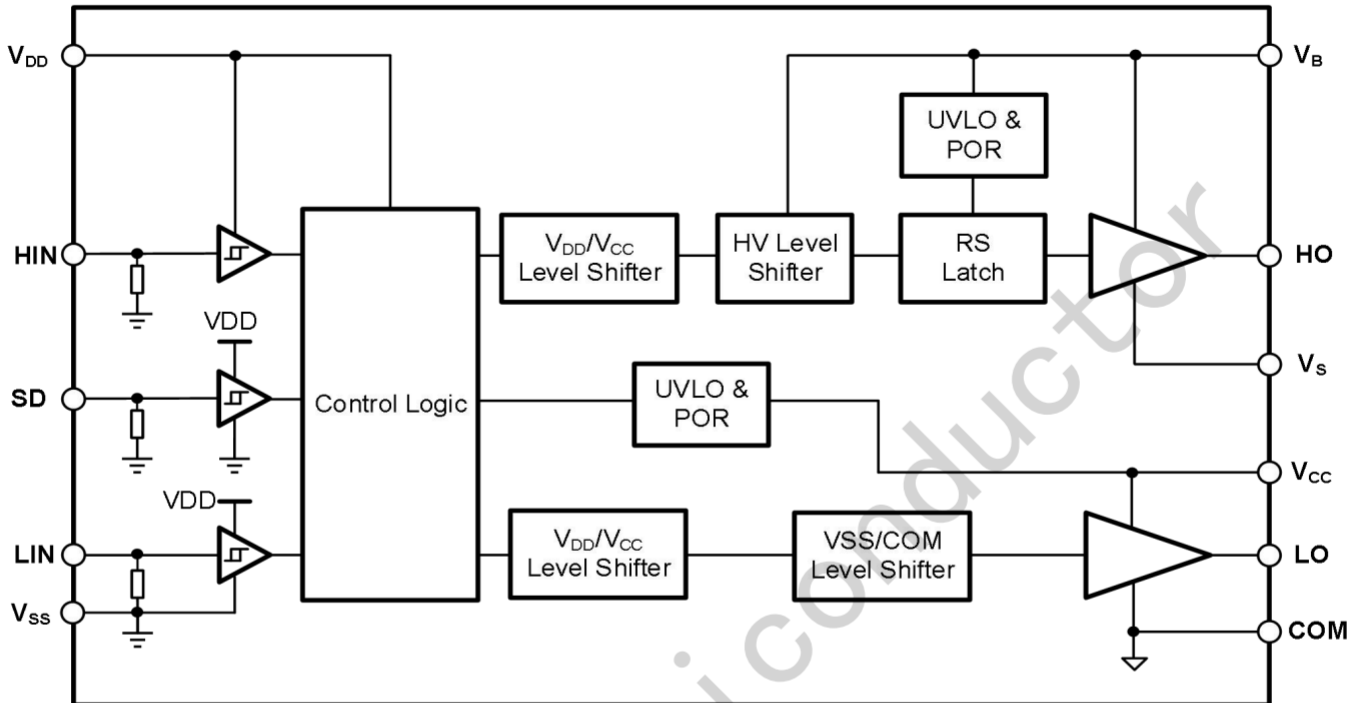


Figure 7-1 Function Block Diagram of FAN7392MX

7.2 Application message

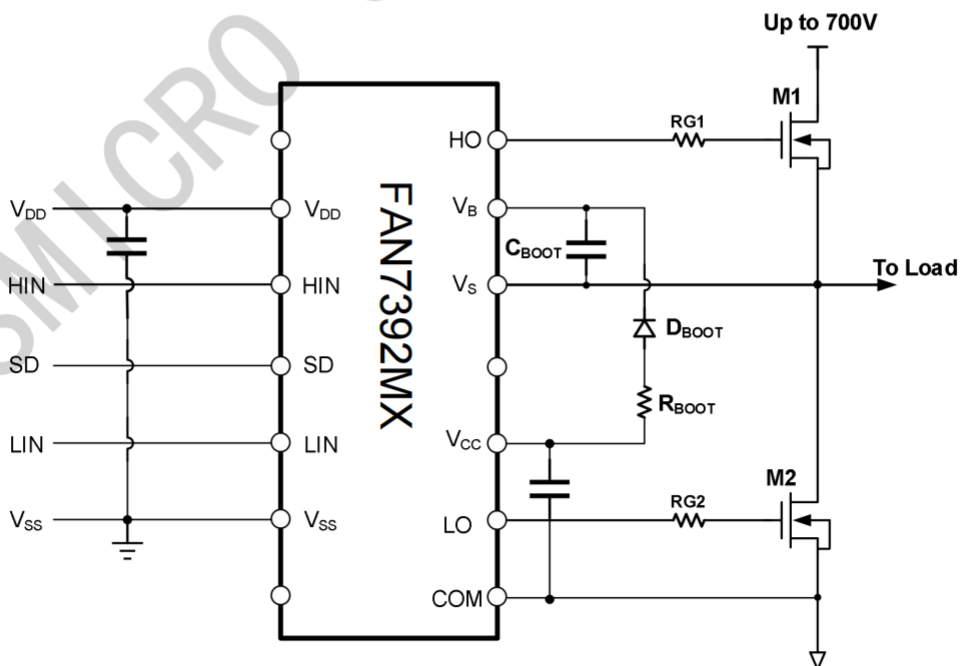
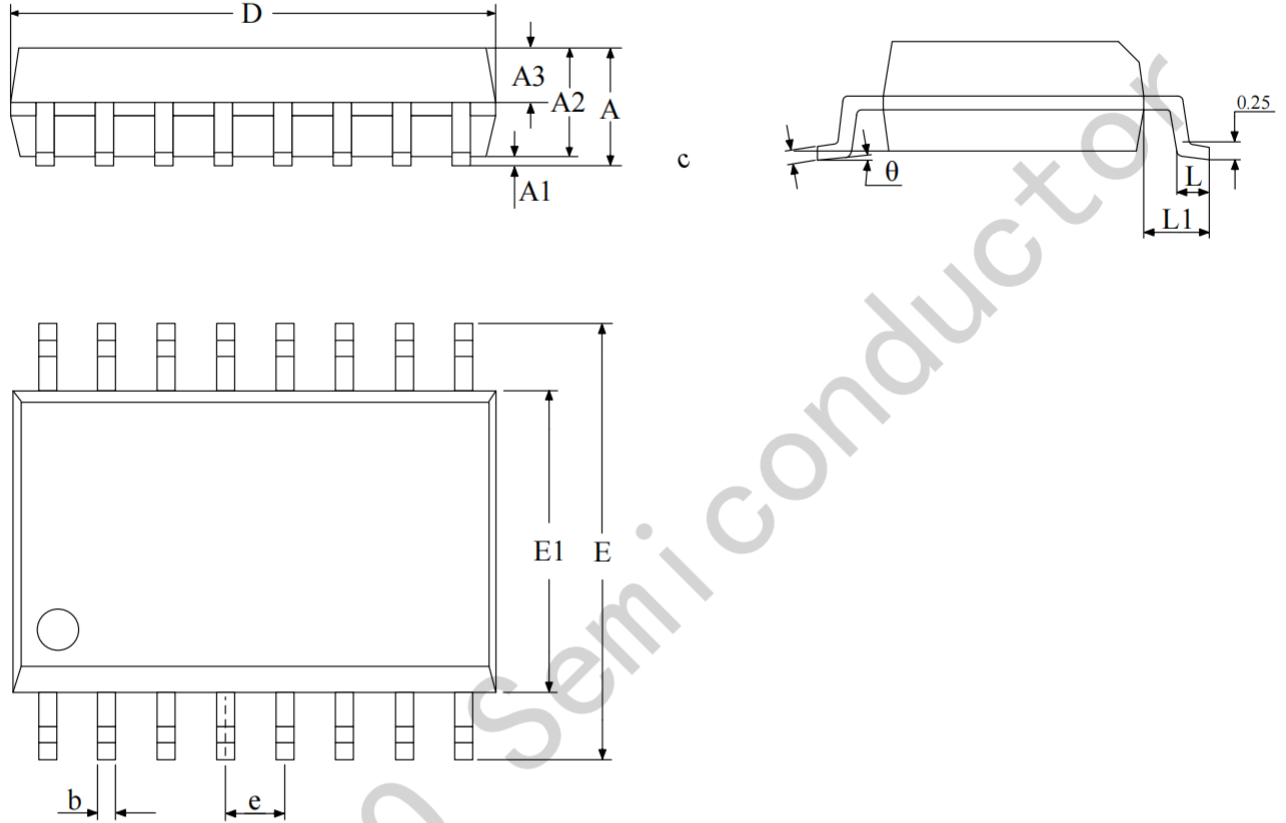


Figure 7-2 Typical application circuit of FAN7392MX

8 Package Information

SOIC-16 (W) Package Outlines



SOIC-16 (W) Package Dimensions

Size Symbol	MIN(mm)	TYP(mm)	MAX(mm)	Size Symbol	MIN(mm)	TYP(mm)	MAX(mm)
A	2.35	-	2.65	D	10.2	-	10.4
A1	0.10	-	0.30	E	10.5	-	10.1
A2	2.25	-	2.35	E1	7.4	7.5	7.6
A3	0.97	-	1.10	e	1.27BSC		
b	0.35	-	0.43	L	0.55	-	0.85
θ	0	-	8°	L1	1.4BSC		