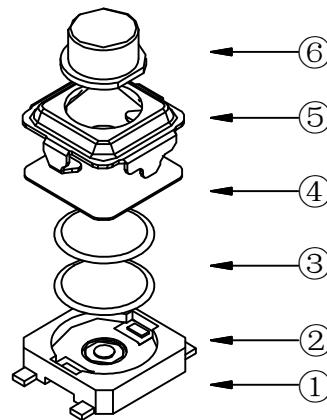
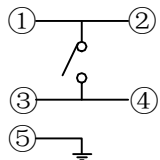
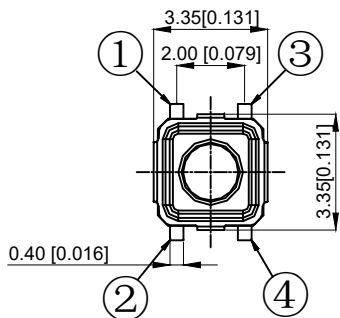


PCB.焊接图
PCB.WELDING DRAWING

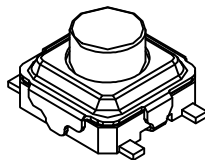
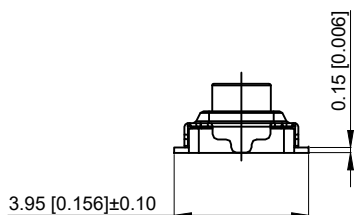


- NOTES:
1. Rating: 12VDC 50mA
 1. 额定值: 12VDC 50mA
 2. Dielectric Strength: 250V AC
 2. 耐电压: 250V AC
 3. Contact Resistance: ≤100mΩ Max
 3. 接触电阻: ≤100mΩ
 4. Insulation Resistance: ≥100MΩ
 4. 绝缘电阻: ≥100MΩ
 5. Operating Force: 260±50gf
 5. 操作力: 260±50gf
 6. Life: 50,000 times
 6. 寿命: 50,000 times
 7. Trip: 0.20±0.10mm
 7. 行程: 0.20±0.10mm



电路图
CIRCUIT DIAGRAM

6	Button 按钮	LCP	1	Black 黑色
5	Cover plate 盖板	SUS	1	
4	Dustproof film 防尘膜	Polyimide 聚酰亚胺	1	Aurantiacus 橙黄色
3	Shrapnel 弹片	SUS	2	Ag plating 镀银
2	Body 本体	LCP	1	Black 黑色
1	Card 卡件	Brass 黄铜	1	Ag plating 镀银
NO 序号	Part name 部件名	Material 材料	QTY 数量	Remark 备注



A4				
A3				
A2				
A1				
REV	DATE	REVISION	DESCRIPTION	ISSUE



COMMON TOLERANCE	
X.XX	± 0.10
X.X	± 0.15
X	± 0.25
ANGULAR	—

UNIT	MM	PROJECTED		PRODUCT NAME:
DRAWN BY	FUYUAN	CHECKED BY	COCO	MODEL NO: TP13722617
DATE	2019	APPROVAL B	ALEN	Https: www.rocpu.tw
ROCPCU TECHNOLOGY CO.,LTD				
Copies are issued in strict confidence and shall not be reproduced or copied, or used as the basic of manufacture or sale of apparatus without permission				