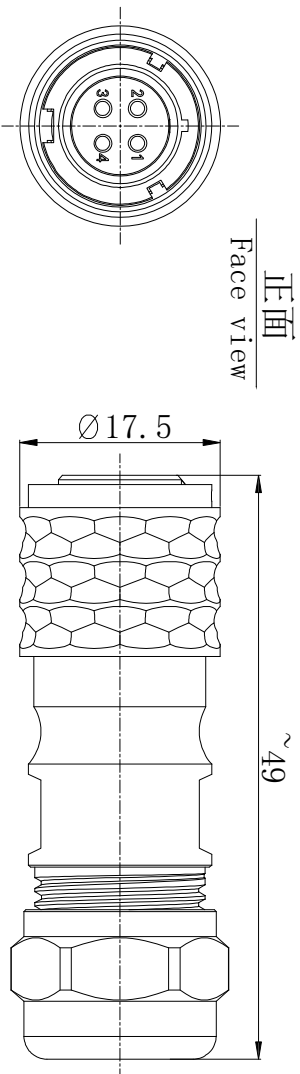


# 1. FIGURE AND DIMENSIONS (视图及尺寸)



针芯性能参数表

孔位排列	P02	P03	P04	P05	P06	P07	P09
耐压 (V)	1300	1300	1300	850	850	850	850
接触件直径 (mm)	$\phi 1.6*2$	$\phi 1.6*3$	$\phi 1*4$	$\phi 1*5$	$\phi 1*6$	$\phi 1*7$	$\phi 0.7*9$
工作电压 (V)	230V	230V	180V	160V	110V	110V	110V
额定电流 (A)	11.5A	11.5A	4.5A	4.5A	4.5A	4.5A	2.7A

## Main technical indicators (主要技术指标)

1. Mating (插拔次数)	1000
2. Working Temperature (温度)	-40~+85°
3. IP Rating (防护级别)	IP 67
4. Diameter of socket end(插合端直径)	See the needle core parameter table/见针芯参数表
5. Rated voltage (额定电压)	
6. Rated Current (额定电流)	
7. Shell material (壳体材质)	铜镀铬 (Brass with chrome plating)
8. Pin Material (插针材料)	铜镀金 (Brass with gold plating)
9. Coupling (接插方式)	推入式快速锁紧 (Push-pull)
10. Insulator material (绝缘体材料)	PPS 耐高温230°C
11. Termination (接线方式)	焊接 (Solder)

	Sum up (总结)
Series (系列)	SF6
Shell style/model (外壳样式/型号)	-
Button (按键)	-
Termination type (终止类型)	-
Line diameter awg(线材直径)	-
Cable diameter $\phi$ (电缆直径)	-
Match plug(匹配插头)	

版本

TITLE

DRAWING NO.

REV.

REVA4

REVA3

REVA2

REVA1

DRAW

CHECK

APPR'D

A. SF12. C10A04. B

A0

UNIT

mm

SCALE

Free

SHEET

10F N

PART NO.

USE

XKB INDUSTRIAL PRECISION CO., LIMITED

