



Features

- Fixed 5V Output
- VIN Range: 2.8V ~ 5.0V
- Output Current: up to 100mA ($V_{IN} \geq 2.8V$)
up to 250mA ($V_{IN} \geq 3.6V$)
- Constant Frequency Operation at All Loads
- Low Noise Constant Frequency (400kHz) Operation
- Automatic Soft-Start Reduces Inrush Current
- Shutdown Current $< 1\mu A$
- Short-Circuit Protection
- No Inductors
- Available in Low Profile 6-Lead SOT23 Package

Applications

- White LED Backlighting
- Li-Ion Battery Backup Supplies
- Local 3V to 5V Conversion
- Smart Card Readers
- PCMCIA Local 5V Supplies

Description

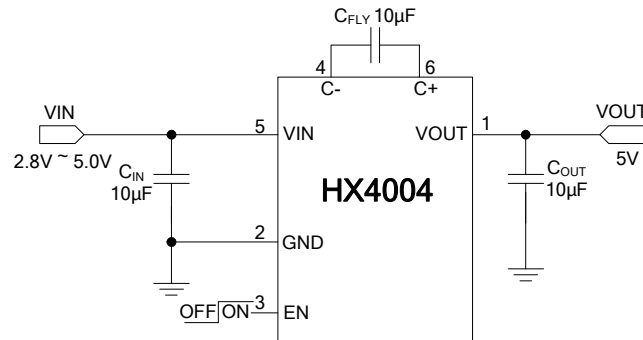
The HX4004 is a low noise, constant frequency (400kHz) switched capacitor voltage doubler. It produces a regulated output voltage from a 2.8V to 5.0V input. Low external parts count (one flying capacitor and two small bypass capacitors at VIN and VOUT) make the HX4004 ideally suited for small, battery-powered applications.

The HX4004 have thermal shutdown capability and can survive a continuous short circuit from VOUT to GND. Built-in soft-start circuitry prevents excessive inrush current during start-up.

High switching frequency enables the use of small ceramic capacitors. A low current shutdown feature disconnects the load from VIN and reduces quiescent current to $< 1\mu A$.

The HX4004 is available in the SOT-23-6L power packages.

Typical Application Circuit



Pin Assignment and Description

TOP VIEW		PIN	NAME	DESCRIPTION
		1	VOUT	Output
		2	GND	Ground
		3	EN	ON/OFF Control (High Enable)
		4	C-	Flying Capacitor Negative Terminal.
		5	VIN	Input
		6	C+	Flying Capacitor Positive Terminal.

Absolute Maximum Ratings (Note 1)

- VIN Voltage.....-0.3V ~ 6V
- VOUT Voltage.....-0.3V ~ 5.5V
- V_{OUT} Short-circuit Duration.....indefinite
- EN Voltage.....-0.3V ~ 6V
- I_{OUT} (Note 2) 300mA
- Operating Temperature Range (Note 3).....-40°C ~ +85°C
- Maximum Junction Temperature.....+150°C
- Storage Temperature Range-65°C ~ +150°C
- Lead Temperature (Soldering 10 sec.)+265°C

Note 1: Absolute Maximum Ratings are those values beyond which the life of a device may be impaired.

Note 2: Based on long term current density limitations.

Note 3: The HX4004 are guaranteed to meet performance specifications from 0°C to 70°C. Specifications over the -40°C to 85°C operating temperature range are assured by design, characterization and correlation with statistical process controls.

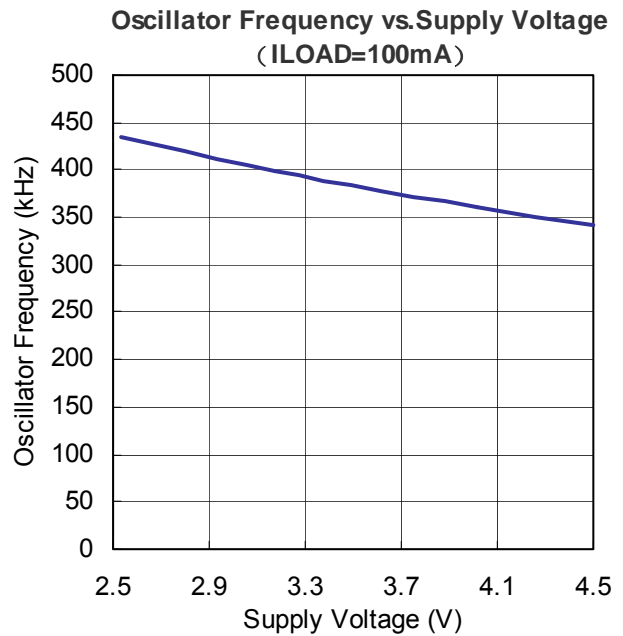
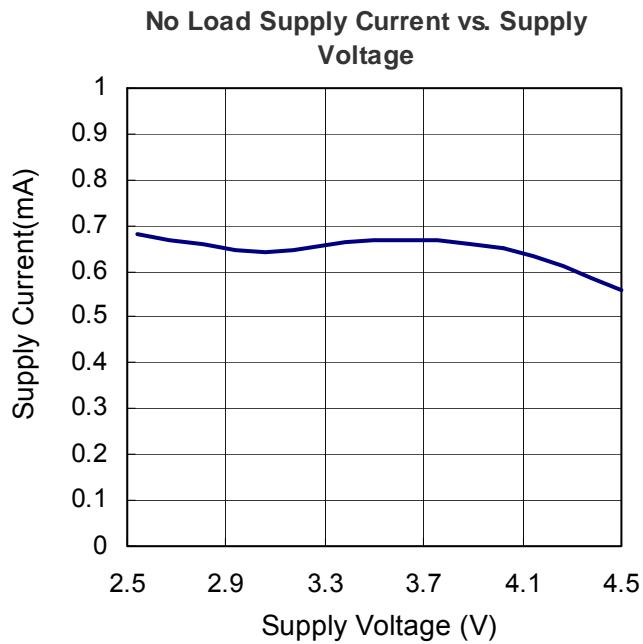
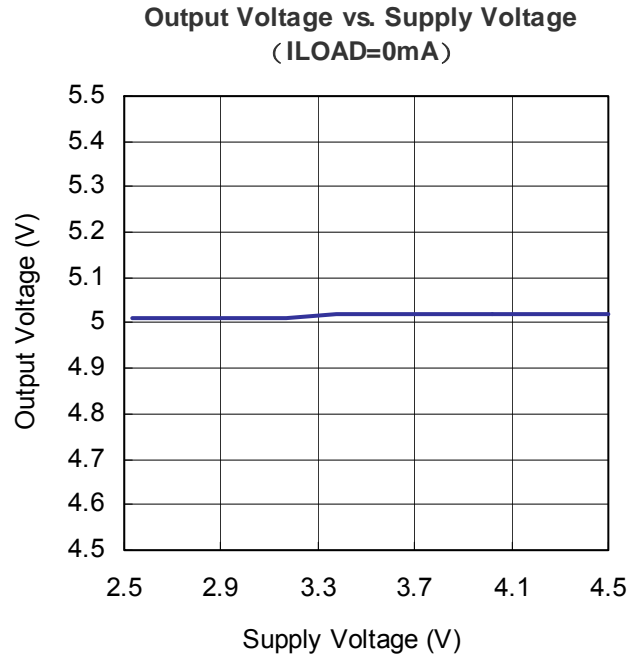
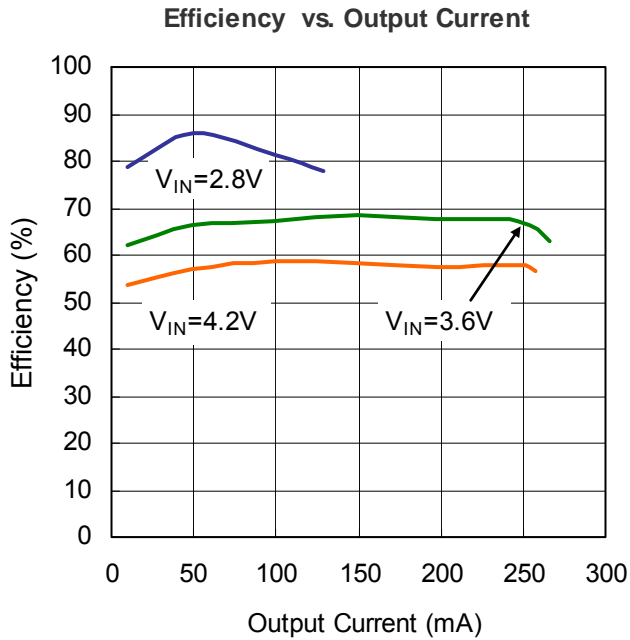
Electrical Characteristics

Operating Conditions: $T_A = 25\text{ }^\circ\text{C}$, $V_{EN} = V_{IN}$, $C_{IN} = C_{OUT} = C_{FLY} = 10\mu\text{F}$, unless otherwise noted.

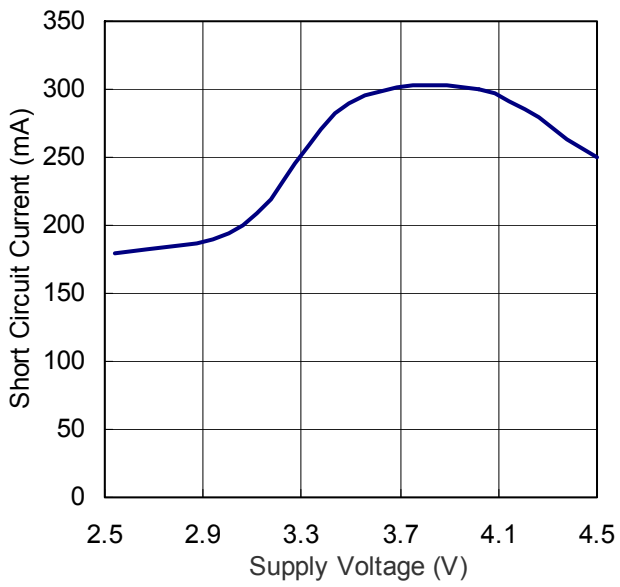
SYMBOL	PARAMETER	CONDITIONS	MIN	TYP	MAX	UNITS
V_{IN}	Input Voltage Range		2.8		5	V
V_{OUT}	Output Voltage Range	$2.7\text{V} < V_{IN} < 5.5\text{V}$, $I_{OUT} < 65\text{mA}$	4.8	5	5.2	V
I_{OFF}	Shutdown Current	$V_{EN} = 0\text{V}$, $V_{OUT} = 0\text{V}$		0.3		μA
$I_{NO\text{ LOAD}}$	No Load Input Current	$I_{OUT} = 0\text{mA}$, $V_{IN} = 2.8\text{V}$		0.65		mA
$V_{RIPPLE(P-P)}$	Output Ripple	$V_{IN} = 2.8\text{V}$, $I_{OUT} = 100\text{mA}$		150		mV
EFFI	Efficiency	$V_{IN} = 2.8\text{V}$, $I_{OUT} = 100\text{mA}$		81		%
f_{OSC}	Switching Frequency			400		kHz
V_{EN}	EN Voltage	High Enable		$V_{IN}/2$		V

Typical Performance Characteristics

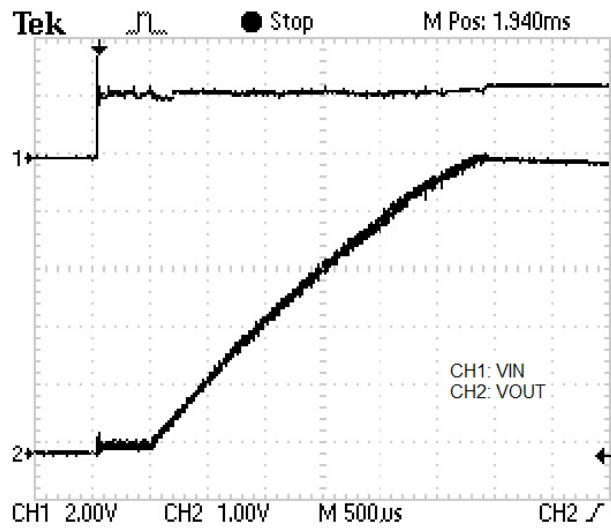
Operating Conditions: $T_A=25^{\circ}\text{C}$, $V_{\text{EN}} = V_{\text{IN}}$, $C_{\text{IN}} = C_{\text{OUT}} = C_{\text{FLY}}=10\mu\text{F}$, unless otherwise noted.



Short Circuit Current vs. Supply Voltage



VOUT Soft-Start Ramp (VIN=3V)



Pin Functions

VOUT (Pin 1): Regulated Output Voltage. VOUT should be bypassed with a low ESR ceramic capacitor providing at least 10 μ F of capacitance as close to the pin as possible for best performance.

GND (Pin 2): Ground. These pins should be tied to a ground plane for best performance.

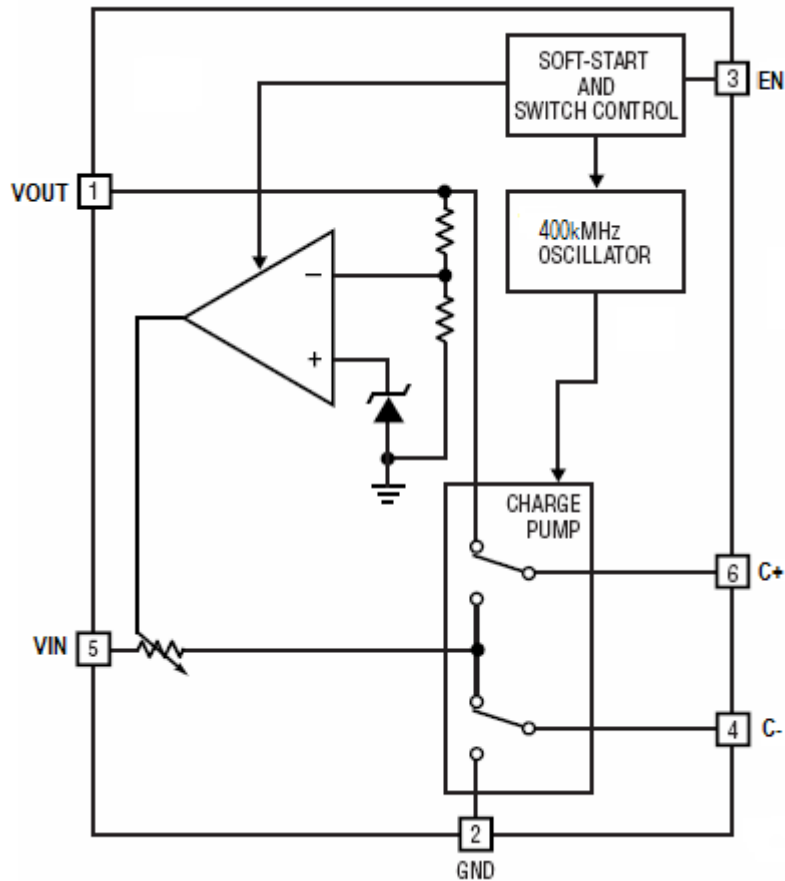
EN (Pin 3): Active Low Shutdown Input. This pin must not be allowed to float.

C- (Pin 4): Flying Capacitor Negative Terminal.

VIN (Pin 5): Input Supply Voltage. VIN should be bypassed with a low ESR ceramic capacitor providing at least 10 μ F of capacitance as close to the pin as possible for best performance.

C+ (Pin 6): Flying Capacitor Positive Terminal.

Block Diagram



Application Information

Operation

The HX4004 use a switched capacitor charge pump to boost VIN to a regulated output voltage. Regulation is achieved by sensing the output voltage through an internal resistor divider and modulating the charge pump output current based on the error signal. A 2-phase nonoverlapping clock activates the charge pump switches. The flying capacitor is charged from VIN on the first phase of the clock. On the second phase of the clock it is stacked in series with VIN and connected to VOUT. This sequence of charging and discharging the flying capacitor continues at a free running frequency of 0.4MHz (typ).

In shutdown mode all circuitry is turned off and the HX4004 draw only leakage current from the VIN supply. Furthermore, VOUT is disconnected from VIN. The EN pin is a CMOS input with a threshold voltage of approximately 0.8V. The HX4004 is in shutdown when a logic low is applied to the EN pin. Since the EN pin is high impedance CMOS input it should never be allowed to float. To ensure that its state is defined it must always be driven with a valid logic level.

Short-Circuit Protection

The HX4004 have built-in short-circuit current limiting. At short-circuit condition, they will automatically limit their output current to approximately 300mA.

Soft-Start

The HX4004 have built-in soft-start circuitry to prevent excessive current flow at VIN during start-up. The soft-start time is preprogrammed to approximately 1ms, so the start-up current will be primarily dependent upon the output capacitor.

VIN, VOUT Capacitor Selection

The style and value of capacitors used with the HX4004 determine several important parameters such as regulator control loop stability, output ripple, charge pump strength and minimum start-up time.

To reduce noise and ripple, it is recommended that low ESR ($< 0.1\Omega$) ceramic capacitors be used for both C_{IN} and C_{OUT} . These capacitors should be greater than $10\mu\text{F}$. Tantalum and aluminum capacitors are not recommended because of their high ESR.

Flying Capacitor Selection

Warning: A polarized capacitor such as tantalum or aluminum should never be used for the flying capacitor since its voltage can reverse upon start-up of the HX4004. Low ESR ceramic capacitors should always be used for the flying capacitor.

The flying capacitor controls the strength of the charge pump. In order to achieve the rated output current it is necessary to have more than $10\mu\text{F}$ of capacitance for the flying capacitor.

Layout Considerations

Due to its high switching frequency and the high transient currents produced by the HX4004, careful board layout is necessary. A true ground plane and short connections to all capacitors will improve performance and ensure proper regulation under all conditions. Figure 1 shows an example layout for the HX4004.

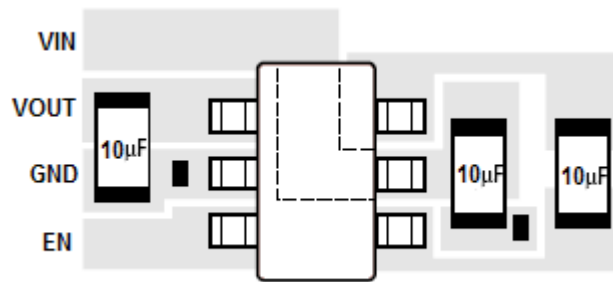
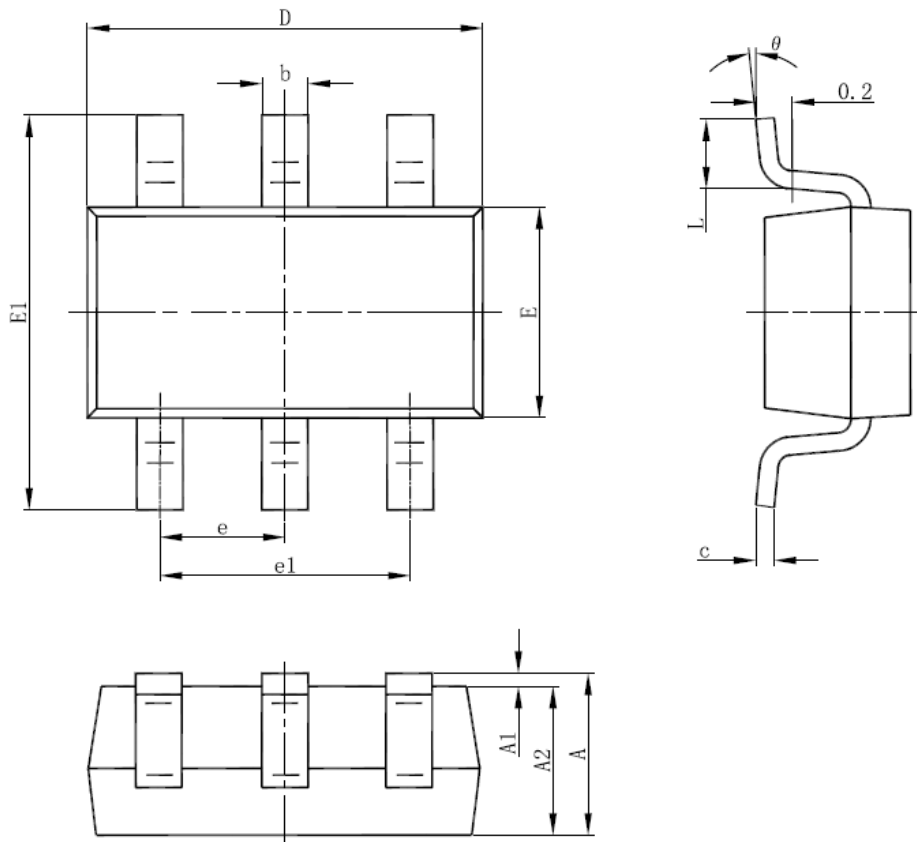


Figure 1: Recommended Layout

Packaging Information

SOT-23-6L Package Outline Dimension



Symbol	Dimensions In Millimeters		Dimensions In Inches	
	Min	Max	Min	Max
A	1.050	1.250	0.041	0.049
A1	0.000	0.100	0.000	0.004
A2	1.050	1.150	0.041	0.045
b	0.300	0.500	0.012	0.020
c	0.100	0.200	0.004	0.008
D	2.820	3.020	0.111	0.119
E	1.500	1.700	0.059	0.067
E1	2.650	2.950	0.104	0.116
e	0.950(BSC)		0.037(BSC)	
e1	1.800	2.000	0.071	0.079
L	0.300	0.600	0.012	0.024
θ	0°	8°	0°	8°

Subject changes without notice.