

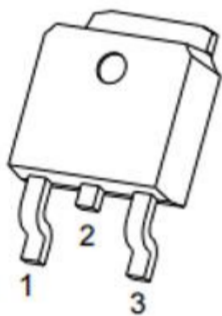
Features

- 3-Terminal regulators
- Maximum Output current 0.5A
- Output voltage V_o : - 5V
- Compact package: TO-252-2L

Applications

- HVAC Systems
- SMPS Post Regulation
- Test and Measurement Equipment
- Industrial Power Supplies

PIN CONFIGURATION



1.GND
2.VIN
3.OUT

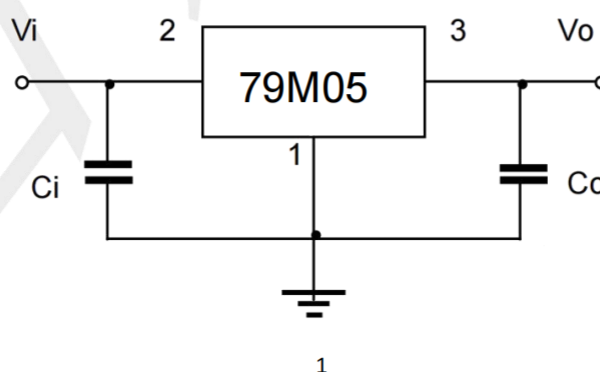
Pin Number	Pin Name	Pin Function
1	GND	Ground
2	VIN	Input of Supply Voltage
3	VOUT	Output of the Regulator

Absolute Maximum Ratings

over operating free-air temperature range (unless otherwise noted)

Symbol	Parameter	Rating	UNIT
VIN	Input voltage	-35	V
R _{θJA}	Thermal Resistance Junction-ambient to Air	80	°C/W
PD	Continuous total dissipation (Ta= 25 °C)	1.25	W
T _{OPR}	Operating Junction Temperature Range	-40~+125	°C
T _{stg}	Storage temperature range	-65~+150	°C

TYPICAL APPLICATION

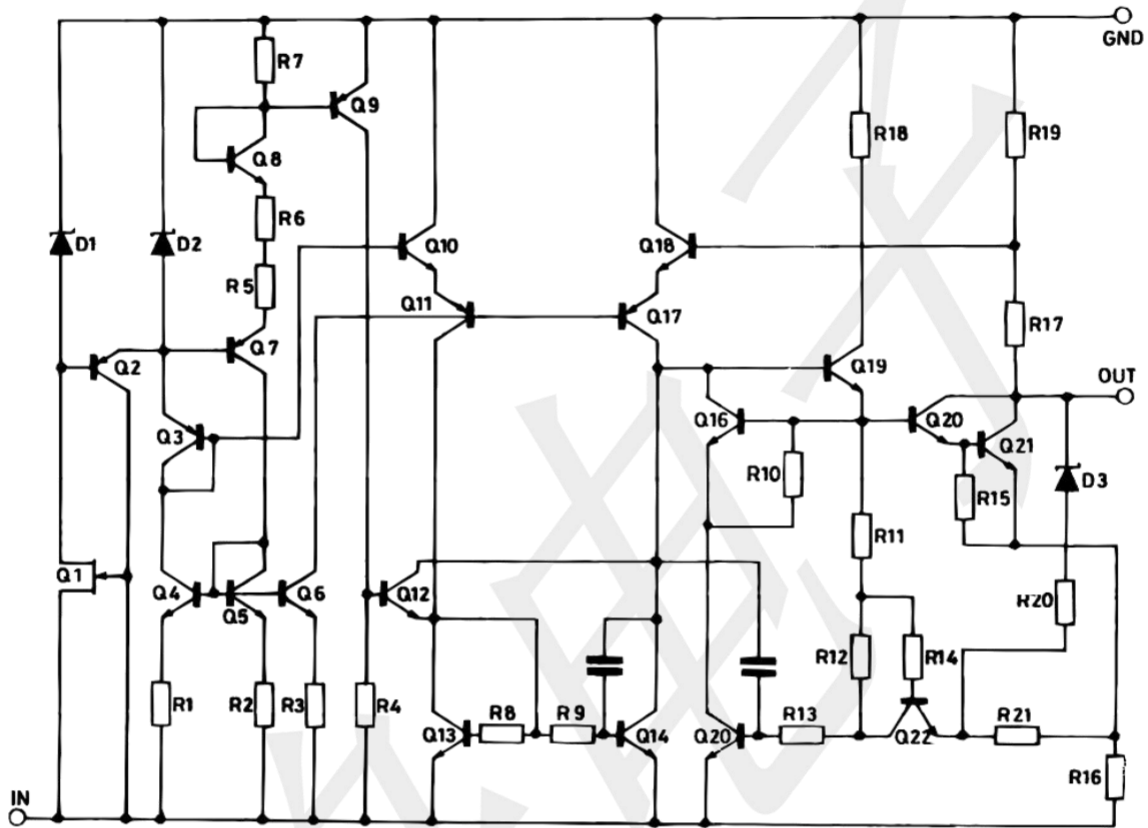


Electrical Characteristics

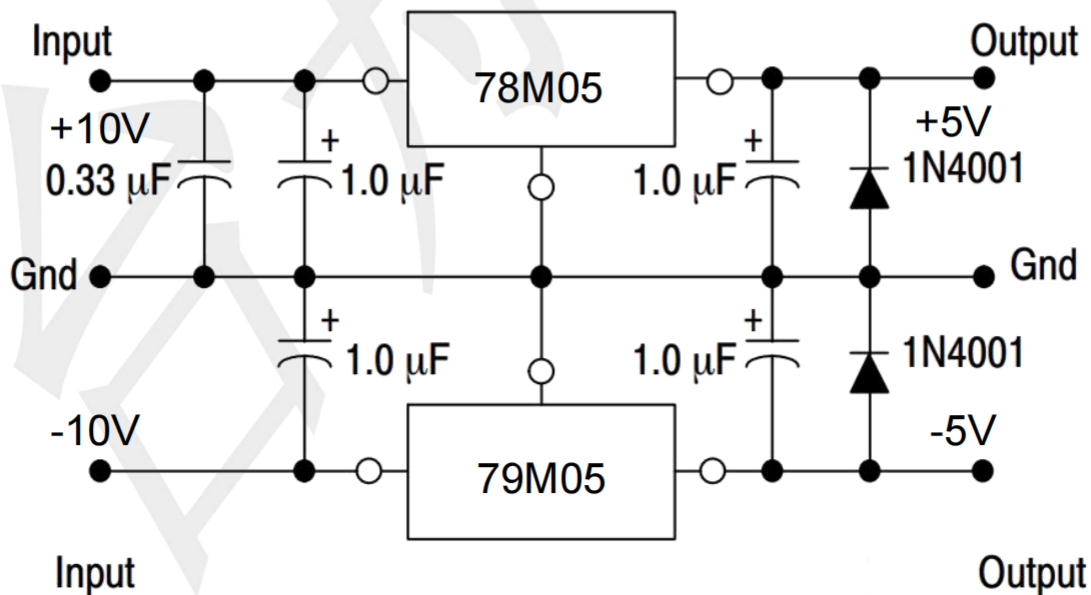
($V_i = -10V, I_o = 350mA, C_i = 1\mu F, C_o = 1\mu F$, unless otherwise specified)

AMETER	SYMBOL	TEST Conditions	MIN	TYP	MAX	UNIT
DC Output Voltage	VO	T _j =25°C	-4.85	-5.0	-5.15	V
		0-125°C -7V ≤ V _i ≤ -20V, I _o = 5mA-350A	-4.75	-5.0	-5.25	V
Load Regulation	ΔVo	T _j =25°C I _o =5mA-0.5A	--	--	100	mV
		T _j =25°C I _o =5mA-200mA	--	--	50	mV
Line regulation	ΔVo	T _j =25°C -7V ≤ V _i ≤ -25V, I _o =200mA	--	--	100	mV
		T _j =25°C -8V ≤ V _i ≤ -12V, I _o =200mA	--	--	50	mV
Quiescent Current	I _q	T _j =25°C	--	1.5	5.0	mA
Quiescent Current Change	ΔI _q	0-125°C -7V ≤ V _i ≤ -25V, I _o =200mA	--	--	1.0	mA
		0-125°C 5mA ≤ I _o ≤ 350mA	--	--	0.5	mA
Output Voltage Drift	ΔVo/ΔT	I _o =5mA	--	-0.5	--	mV/°C
Output Noise Voltage	V _N	T _j =25°C 10Hz ≤ f ≤ 100KHz	--	200	--	μV/V _o
Ripple Rejection	RR	-8V ≤ V _i ≤ -18V I _o =350mA, f=120Hz	--	60	--	dB
Dropout Voltage	V _d	I _o =350mA T _j =25°C	--	2.0	--	V
Peak Current	I _{pk}	T _j =25°C	--	0.5	--	A

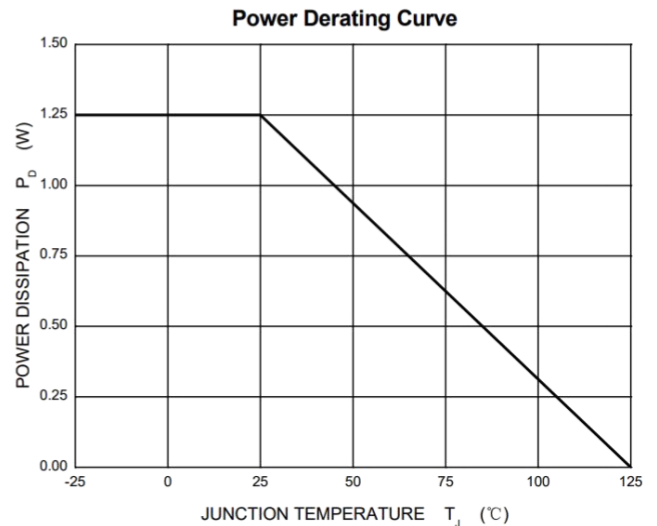
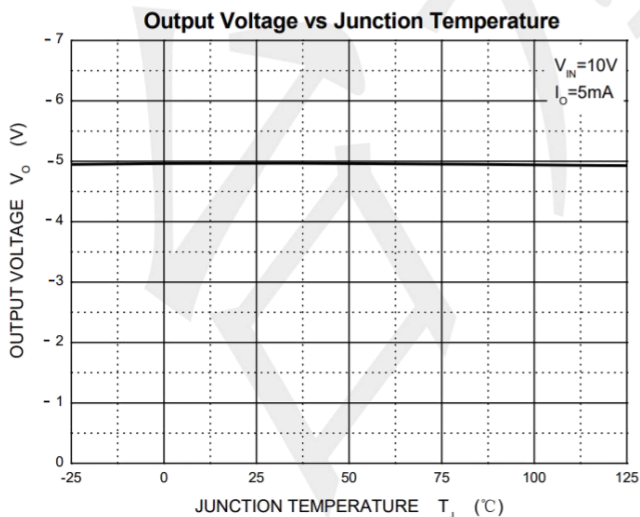
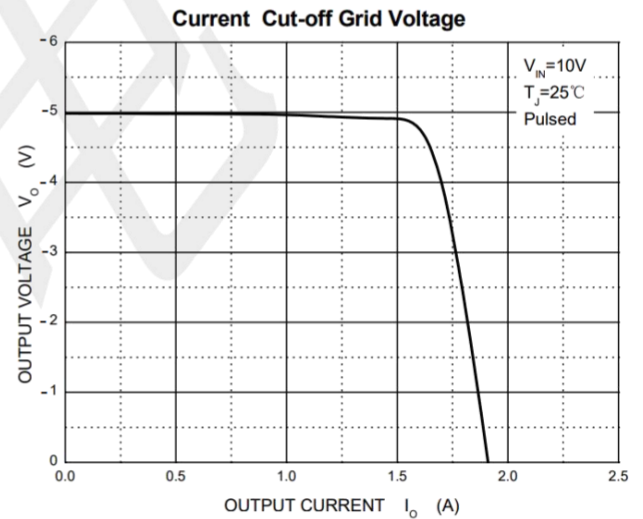
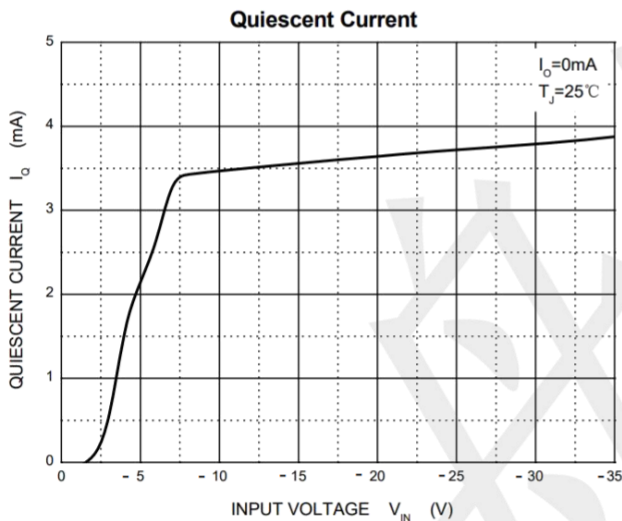
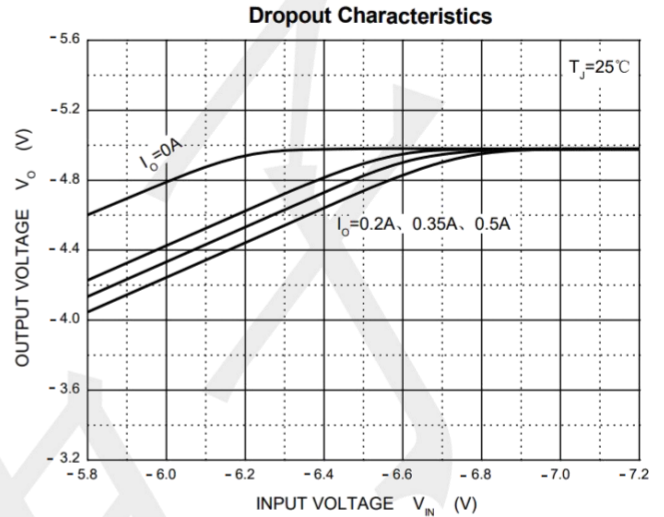
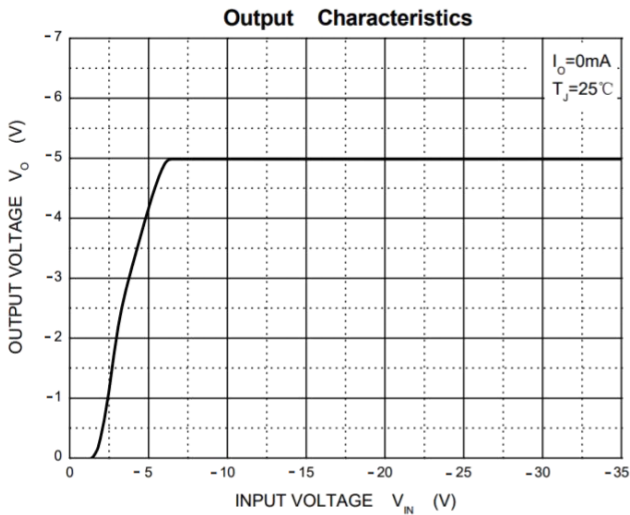
Schematic diagram



Typical Application Circuit

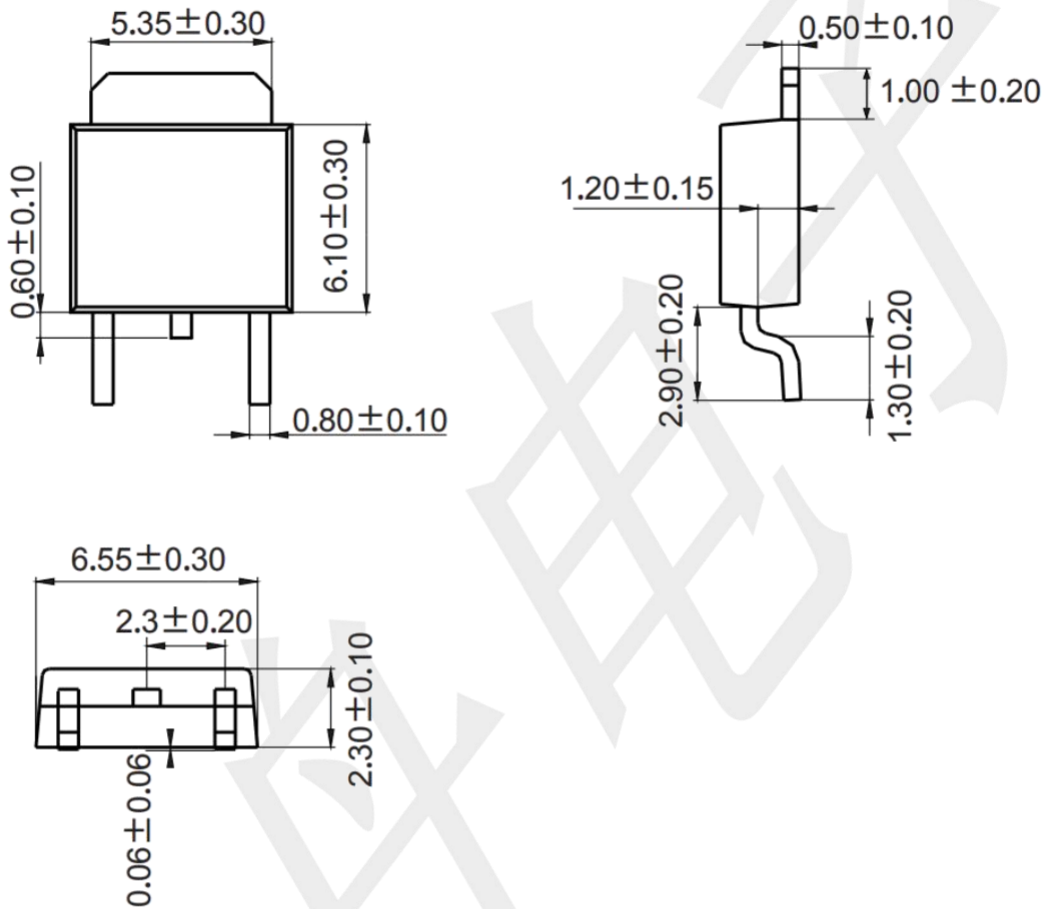


Typical Operating Characteristics (25 °C, unless otherwise noted)



Package Outline Dimensions (unit: mm)

TO-252-2L



Mounting Pad Layout (unit: mm)

