

SLIDE SWITCH

Operation: DIP/插件卧式 3PIN 小型 滑动开关



LTEM NO.:MS-128F (Series)

(L9.0mm×W2.8mm×H2.0mm SLIDE-SWITCH)

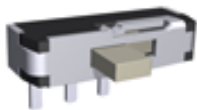
表面插装 DIP

側向操作 LATERAL

精密部品 NICETY

可靠 STABILIZE

適合環保 RoHS

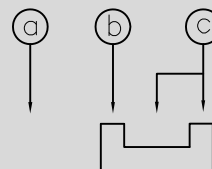


Technical parameter

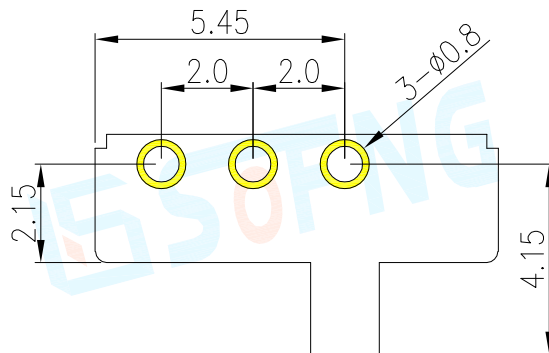
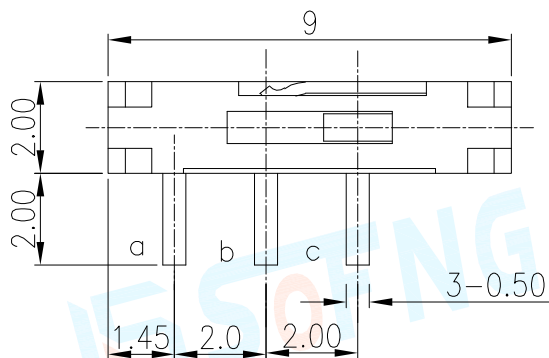
PROJECT	LEVEL	A[better product]		B[average product]	
Electrical	Contact Rating	0.3A, 30V DC			
	Initial Contact Resistance	50mΩ max.			
Properties	Insulation Resistance	100MΩ min.500V DC	Skey/PD: 100MΩ min.300V DC		
	Withstand Voltage	300V AC for 1 minute	250 V AC for 1 minut		
Durable Performance	There No Load	15,000 Cycles	10,000 Cycles		
	Rated Load	12,000 Cycles	8,500 Cycles		
	Storage temp.	-25℃~+75℃(Operating Temp:)			
	Operating Force	1. 8N. ±0. 5N (1N. =100gram-force)			
	Heat Rrsistance	IR Reflow:255℃, 5sec. Manual :350℃, 3sec.			

Material declaration		
No.	NAME	Description
①	拨柄	PA6T (Black)耐高温尼龙
②	盖板	不锈钢 SUS304 t=0.4mm
③	基座	PA6T (Black)耐高温尼龙
④	簧片	磷铜 C5210 G/F
⑤	嵌件	黄铜 C2680(Qsn6.5-01 镀银) t-0.30

CIRCUIT DIAGRAM



Unit:mm



P.C.B LAYOUT

