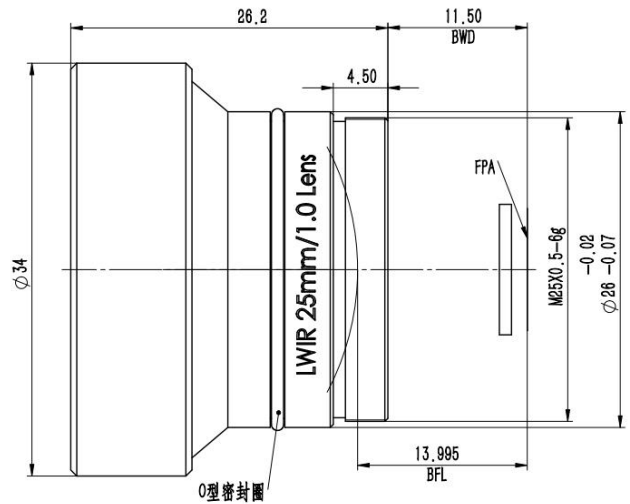


## 25mm/1.0 Fixed Athermalized Lens



HFOV (deg)	160x120	256x192	384x288	640x512
17 $\mu$	6.23	9.95	14.88	----
12 $\mu$	4.4	7.03	10.53	17.46

Property	Value
<b>Optical</b>	
Focal Length	25
F/#	1.0
Average Transmission (8~12 $\mu$ )	>92%
Back Focal Length	13.995mm in air
<b>Mechanical</b>	
Focus Mechanism	Fixed focus
Focus Range	0.5m ~ $\infty$
Back Working Distance	11.5mm
Detector Connection Dimensions	M25X0.5-6g
Dimensions	$\Phi 34 \times 26.2$
Weight	42 g
<b>Environmental</b>	
Operating Temperature	-40°C to +80°C
Storage Temperature	-50°C to +80°C
Sealing	IP67 - front lens only
External Coating	High Durability AR