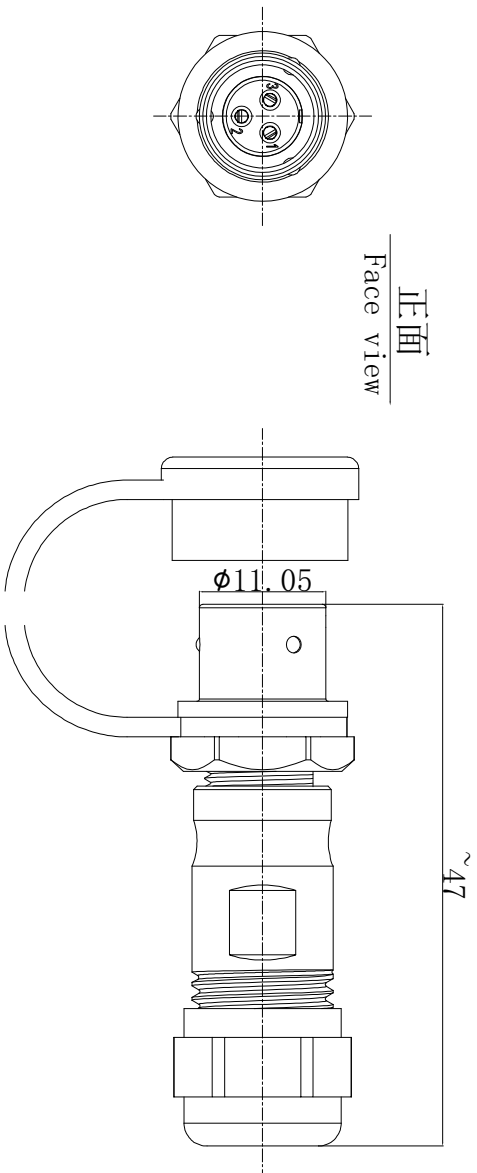


1. FIGURE AND DIMENSIONS (视图及尺寸)



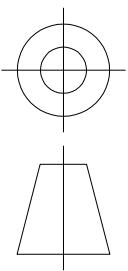
Main technical indicators (主要技术指标)

1. Mating (插拔次数)	1000
2. Working Temperature (温度)	-40~+85°
3. IP Rating (防护级别)	IP 67
4. Diameter of socket end(插合端直径)	See the needle core parameter table/见针芯参数表
5. Rated voltage (额定电压)	
6. Rated Current (额定电流)	
7. Shell material (壳体材质)	铜镀铬 (Brass with chrome plating)
8. Pin Material (插针材料)	铜镀金 (Brass with gold plating)
9. Coupling(接插方式)	推入式快速锁紧 (Push-pull)
10. Insulator material (绝缘体材料)	PPS 耐高温230°C
11. Termination (接线方式)	焊接 (Solder)

孔位排列	P02	P03	P04	P05
耐压 (V)	850	850	850	850
接触件直径 (mm)	φ1.0*2	φ1.0*3	φ0.7*4	φ0.7*5
工作电压 (V)	160V	160V	110V	110V
额定电流 (A)	4.5A	4.5A	2.7A	2.7A

	Sum up (总结)
Series(系列)	SP6
Shell style/model (外壳样式/型号)	-
Button (按键)	-
Termination type (终止类型)	-
Line diameter awg(线材直径)	-
Cable diameter φ (电缆直径)	-
Match plug(匹配插头)	

版本	TITLE	DRAWING NO.	REV.
REVA4		A. SF10.C11L03.B	A0
REVA3			
REVA2			
REVA1			
DRAW			
CHECK	DATE	USE	
APPR'D	DATE		



KKB INDUSTRIAL PRECISION CO., LIMITED