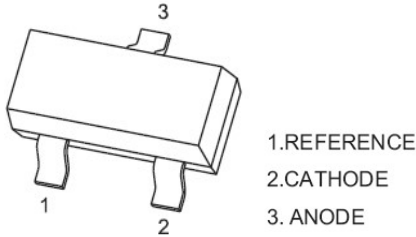
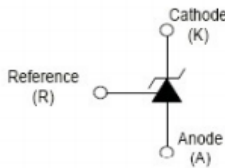


SOT-23



Equivalent Circuit



MARKING: 431

Device Description

The TL431AQDBZR-CN is a three-terminal adjustable shunt regulator offering excellent temperature stability. This device has a typical dynamic output impedance of 0.2Ω. The device can be used as a replacement for zener diodes in many applications.

Features

- The output voltage can be adjusted to 36V
- Low dynamic output impedance, its typical value is 0.2Ω
- Trapping current capability is 1 to 100mA
- Low output noise voltage
- Fast on-state response
- The effective temperature compensation in the working range of full temperature
- The typical value of the equivalent temperature factor in the whole temperature scope is 50 ppm/°C

Application

- Shunt Regulator
- High-Current Shunt Regulator
- Precision Current Limiter

Mechanical Data

- 封装: SOT-23 封装 SOT-23 Small Outline Plastic Package.
- 环氧树脂 UL 易燃等级 Epoxy UL: 94V-0.
- 安装位置: 任意 Mounting Position: Any.

极限值和温度特性(TA = 25°C 除非另有规定)

Maximum Ratings & Thermal Characteristics (Ratings at 25°C ambient temperature unless otherwise specified.)

参数 Parameters	符号 Symbol	数值 Value	单位 Unit
Cathode Voltage	V _{KA}	36	V
Cathode Current Range(Continuous)	I _{KA}	-100~+150	mA
Reference Input Current Range	I _{ref}	0.05~+10	mA
Power Dissipation	P _D	300	mW
Junction Temperature	T _j	150	°C
Operating Temperature	T _{opr}	-25-+85	°C
Thermal Resistance From Junction to Ambient	R _{θJA}	417	°C/W

电特性 (TA = 25°C 除非另有规定)

Electrical Characteristics (Ratings at 25°C ambient temperature unless otherwise specified.)

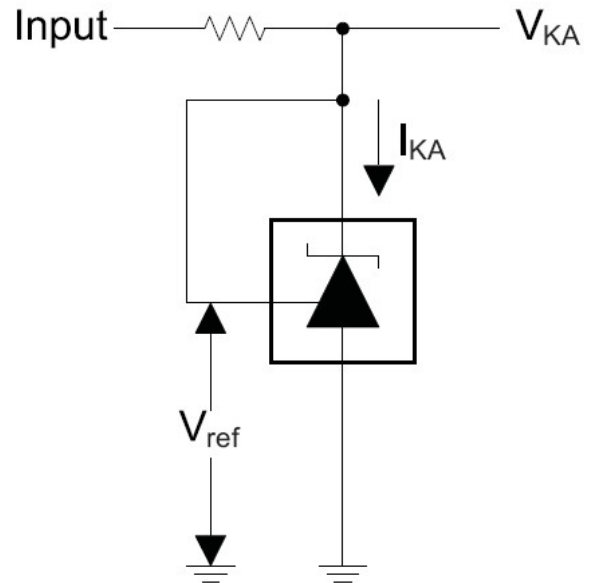
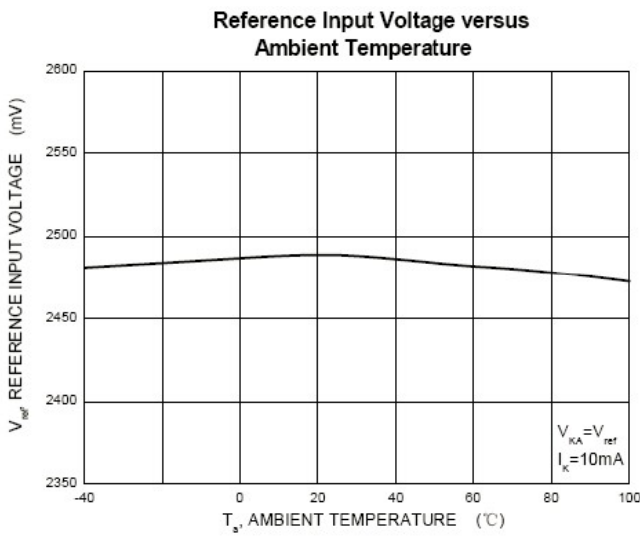
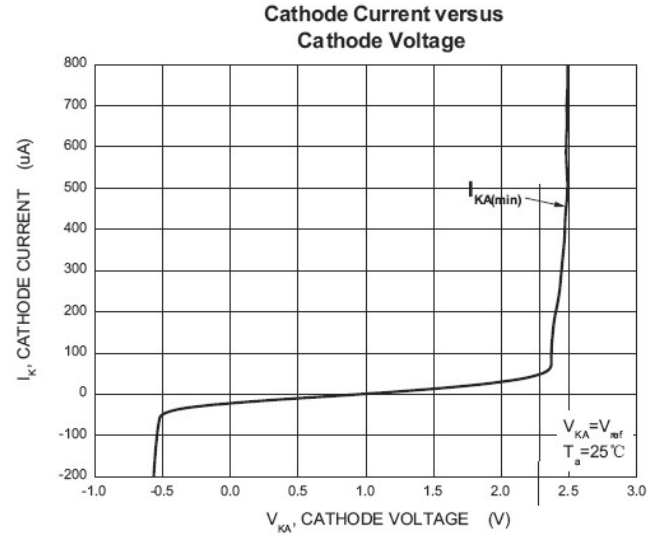
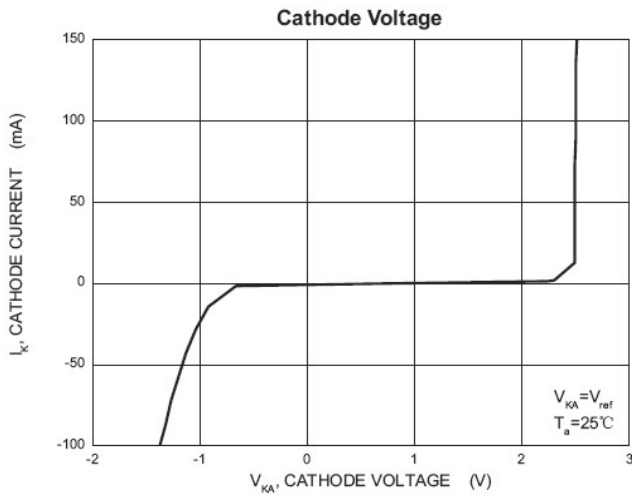
参数 Parameter	符号 Symbols	测试条件 Test Condition	界限 Limits			单位 Unit
			Min	Typ	Max	
Reference input Voltage	V _{ref}	V _{KA} = V _{REF} V, I _{KA} =10mA	2.475	2.5	2.525	V
Deviation of reference input voltage over temperature(note)	ΔV _{ref} /ΔT	V _{KA} = V _{REF} , I _{KA} =10mA T _{MIN} ≤T _a ≤T _{MAX}		4.5	17	mV
Ratio of change in reference Input voltage to the change in cathode voltage	ΔV _{ref} /ΔV _{KA}	I _{KA} =10mA		-1.0	-2.7	mV/v
				-0.5	-2.0	mV/v
Reference input current	I _{ref}	I _{KA} =10mA, R ₁ =10KΩ, R ₂ =∞		1.5	4	uA
Deviation of reference input current over full temperature	ΔI _{ref} /ΔT	I _{KA} =10mA, R ₁ =10KΩ, R ₂ =∞ T _A =-25 to 85°C		0.4	1.2	uA
Minimum cathode current for regulation	I _{KA(min)}	V _{KA} =V _{REF}		0.45	1.0	mA
Off-state cathode current	I _{KA(off)}	V _{KA} =36V, V _{REF} =0		0.05	1.0	uA
Dynamic impedance	Z _{KA}	V _{KA} =V _{REF} , I _{KA} =1 to 100mA, f≤1.0kHz		0.15	0.5	Ω

Note: T_{MIN}=-25°C, T_{MAX}=+85°C.

CLASSIFICATION of V_{ref}

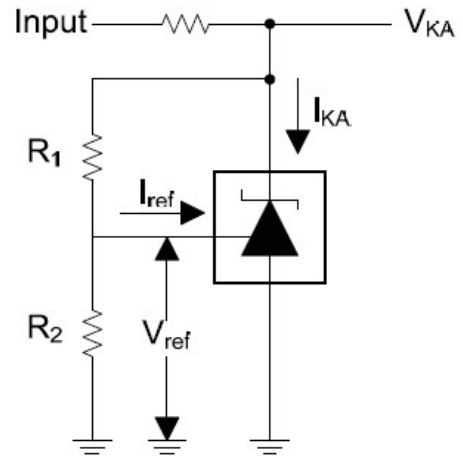
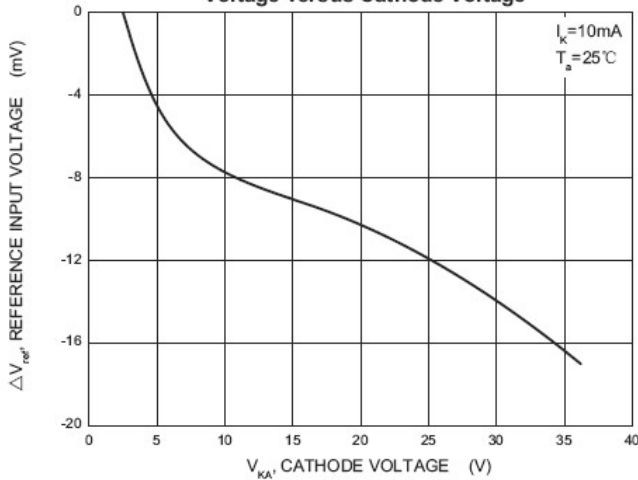
Rank	0.5%	1%
Rank	2.487-2.513	2.475-2.525

Typical characteristics



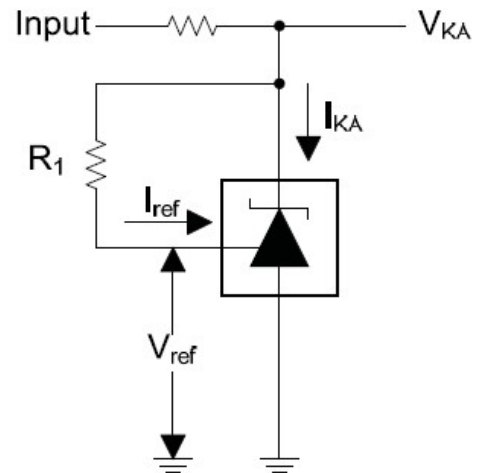
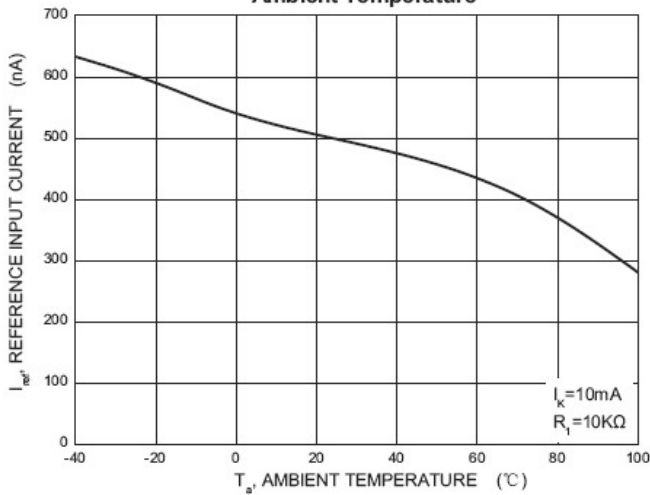
Test Circuit for $V_{KA} = V_{ref}$

Change in Reference Input Voltage versus Cathode Voltage



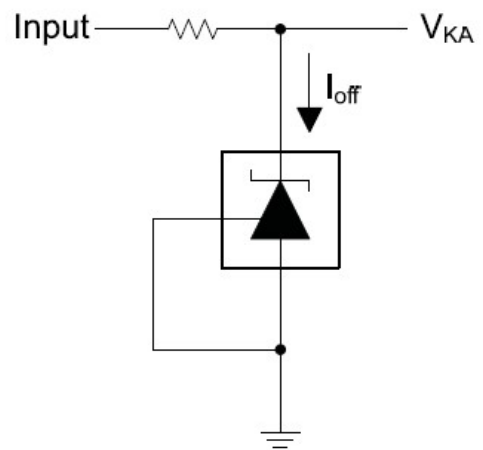
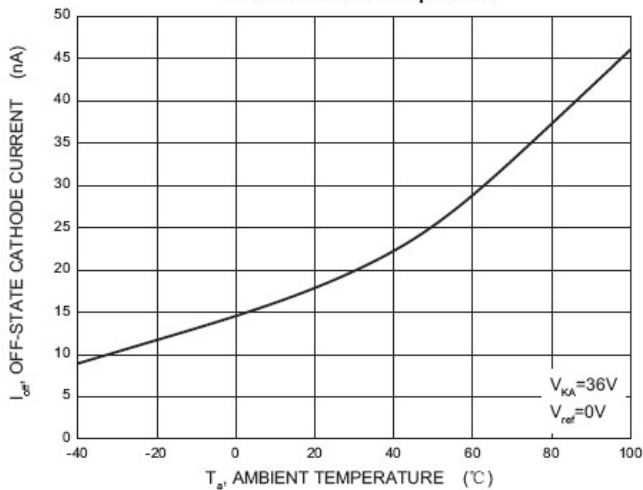
Test Circuit for $V_{KA} = V_{ref}(1 + R_1/R_2) + R_1 * I_{ref}$

Reference Input Current versus Ambient Temperature



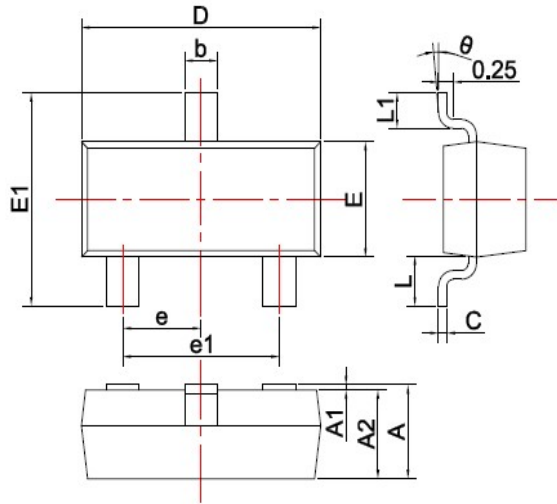
Test Circuit for I_{ref}

Off-State Cathode Current versus Ambient Temperature



Test Circuit for I_{off}

SOT-23 PACKAGE OUTLINE Plastic surface mounted package

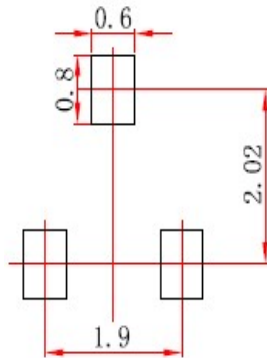


SYMBOL	DIMENSIONS	
	MIN.	MAX.
A	0.900	1.150
A1	0.000	0.100
A2	0.900	1.050
b	0.300	0.500
c	0.080	0.150
D	2.800	3.000
E	1.200	1.400
E1	2.250	2.550
e	0.950TYP	
e1	1.800	2.000
L	0.550REF	
L1	0.300	0.500
θ	0°	8°

Unit: mm

焊盘设计参考 Precautions: PCB Design

Recommended land dimensions for SOT-23 diode. Electrode patterns for PCBs



Note:

1. Controlling dimension: in millimeters.
2. General tolerance: ±0.05mm.
3. The pad layout is for reference purposes only.

NOTICE

The information presented in this document is for reference only. Involving product optimization and productivity improvement, ChipNobo reserves the right to adjust product indicators and upgrade some technical parameters. ChipNobo is entitled to be exempted from liability for any delay or non-delivery of the information disclosure process that occurs.

本文件中提供的信息仅供参考。涉及产品优化和生产效率改善，ChipNobo 有权调整产品指标和部分技术参数的升级，所出现信息披露过程存在延后或者不能送达的情形，ChipNobo 有获免责权。

The product listed herein is designed to be used with residential and commercial equipment, and do not support sensitive items and specialized equipment in areas where sanctions do exist. ChipNobo Co., Ltd or anyone on its behalf, assumes no responsibility or liability for any damages resulting from improper use.

此处列出的产品旨在民用和商业设备上使用，不支持确有制裁地区的敏感项目和特殊设备，ChipNobo 有限公司或其代表，对因不当使用而造成的任何损害不承担任何责任。

For additional information, please visit our website <http://www.chipnobo.com>, or consult your nearest Chipnobo sales office for further assistance.

欲了解更多信息，请访问我们的网站 <http://www.chipnobo.com>，或咨询离您最近的 Chipnobo 销售办事处以获得进一步帮助。