

# SPECIFICATION FOR APPROVAL

## 规格书

Customer ( 客户名称 ):

\_\_\_\_\_

Customer P/N(客户编号):

\_\_\_\_\_

Our P/N (本厂编号):

FS3621NB0820-H12.0-R02

Approval Date(日期):

2024.10.18

Environment Request(环境标准):

Non-RoHS (非 RoHS 标准)

RoHS (RoHS 标准)

REACH (REACH 标准)

Others (其他)

### CUSTOMER'S APPROVED SIGNATURE

--	--	--



**福声科技**  
FUSHENG TECHNOLOGY

**泰州福声电子科技有限公司**

Taizhou Fusheng Electronic Technology Co.,Ltd.

Adds: No.98 of FengHuang Road West,Hailing District ,Taizhou .

地址: 江苏省泰州市海陵区凤凰西路 98 号

Tel: +86-523-86219066

Fax: +86-523- 81601108

[Http://www.tzfsdz.com](http://www.tzfsdz.com)

E-mail: [sales@electronic-tech.cn](mailto:sales@electronic-tech.cn)

	DESINGER	CHECKED	APPROVED
SIGNATURE			
DATE			

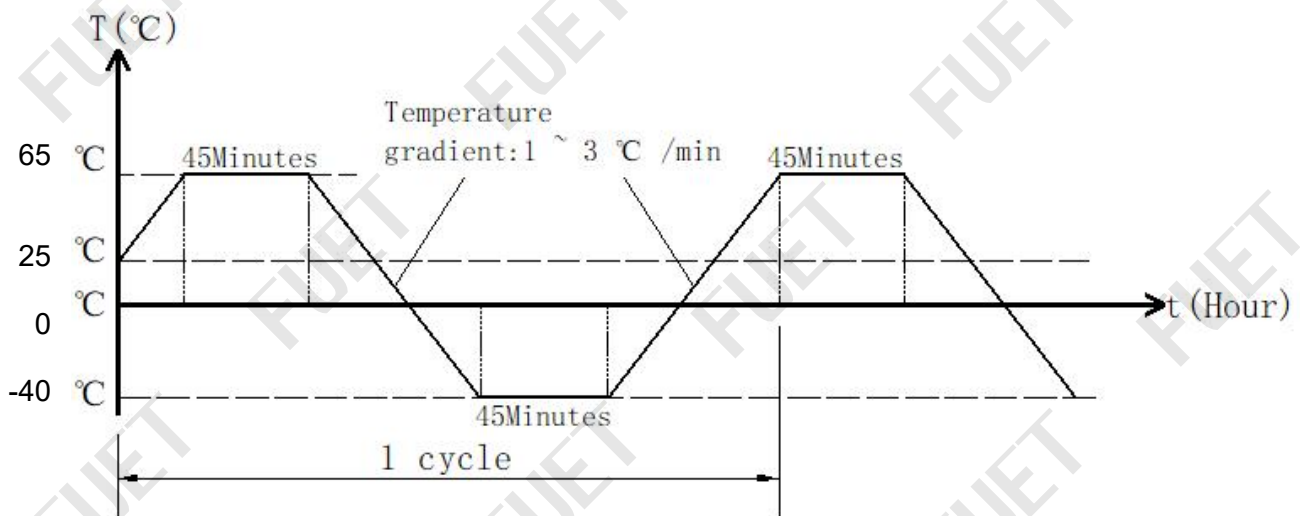


## Speaker Specification

Part No.	Customer No 客户型号		Customer code 客户编号	
	Our Part No 本厂编号	FS3621NB0820-H12.0-R02		Revision 版本 A
No.	Item 项目	Specification 规格	Testing Condition 测试条件	
1.	Rated Imp 共称阻抗	8ohm±15%	At 2kHz	
2.	Resonance Freq 最低共振周波数	1200Hz±20%	Without Baffle	
3.	Output S.P.L. 出力音压	88±3dB	At 0.1m 0.1w 0.9~10.0KHz Average	
4.	Rated Power 定格入力	at 2.0W	at 4.0 Vrms	
5.	Max Power 最大入力	at 3.0W	at 4.9 Vrms	
6.	Frequency Range 实效频宽	800Hz~20kHz	Output SPL-10dB	
7.	Operation 可靠性试验	Must Be Normal at Rated Frequency Range	Program Source 2.0 W FO~10kHz	
8.	Buzzes & Rattles 异常音试验	Should not be audible buzz and rattle at Rated Frequency Range 无异常声	Sine Wave Between (正弦波入力) at 4.0Vrms / FO----- 10kHz	
9.	T H D 失真	10% Max	Rated Power Input 1000Hz	
10.	Magnet 磁铁	NdFeB		
11.	Operating Temperature 动作温度	-30°C to +50°C		
12.	Storage Temperature 储存温度	-40°C to +65°C		
13.	Weight 重量	g/PC		

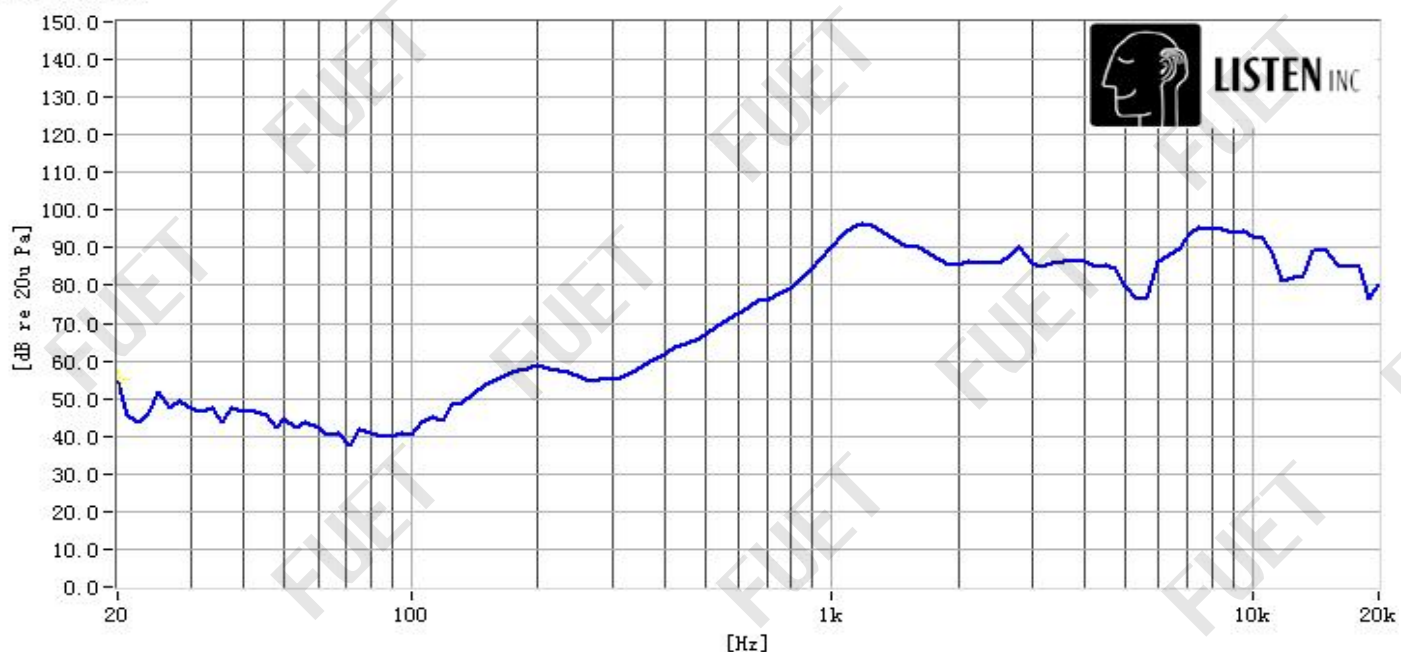
14.	Cold Test 耐寒试验	Must be normal after having been in a test chamber for 96 hours at the condition of $-40^{\circ}\text{C} \pm 2^{\circ}\text{C}$ and then left 2 hours in a room. ( $-40^{\circ}\text{C} \pm 2^{\circ}\text{C}$ , 96 小时试验室温两小时后,无异常)
15.	Heat Test 耐热试验	Must be normal after having been in a test chamber for 96 hours at the condition of $+65^{\circ}\text{C} \pm 2^{\circ}\text{C}$ 90~95% R.H and then left 2 hours in a room. ( $+65^{\circ}\text{C} \pm 2^{\circ}\text{C}$ 90~95% R.H 96 小时试验, 常温 2 小时后,无异常的不良)
16.	Load Test 连续负荷试验	Must be normal after load test :white noise 2.0W 96 hours. At rated frequency range (白噪音 2.0W 连续 96 小时试验后无异常的不良)
17.	Short Term Max Power test 瞬間最大功率试验	Test for 1 hour under maximum power. Input shall be white noise in rated frequency response. And the signal will be 1 second on, 59 seconds off, total 60 cycles at rated frequency range, Must be normal after the test (白噪音 3.0W, 1 秒开 59 秒关, 连续 60 回合, 试验后无异常之不良)
18.	Polarity 极性	When a DC source 's "+" polarity is attached to speaker's "+" polarity,"-" polarity is attached speaker's "-" polarity, the membrane will move forward. Red wire is "+" and the black wire is "-". (接线板右侧为正极,左侧为负极)
19.	Drop Test 跌落试验	Drop the speakers contained in normal box onto a board 5mm thick 6 times from a height of 1.0m . Must be normal after the test (在厚 5mm 的木板上从 1.0m 的高度跌落 6 次,无异常不良)
20.	Terminal strength 端子强度	A static load of 5.0N shall be applied to the terminals for 10s in any direction between terminal block and frame and between terminal block and fasten terminal. Must be normal after the test (端子板和支架或焊片任一方向上 5.0N 的力 10s 无异常)

### Temperature Cycle Test(5 cycle)

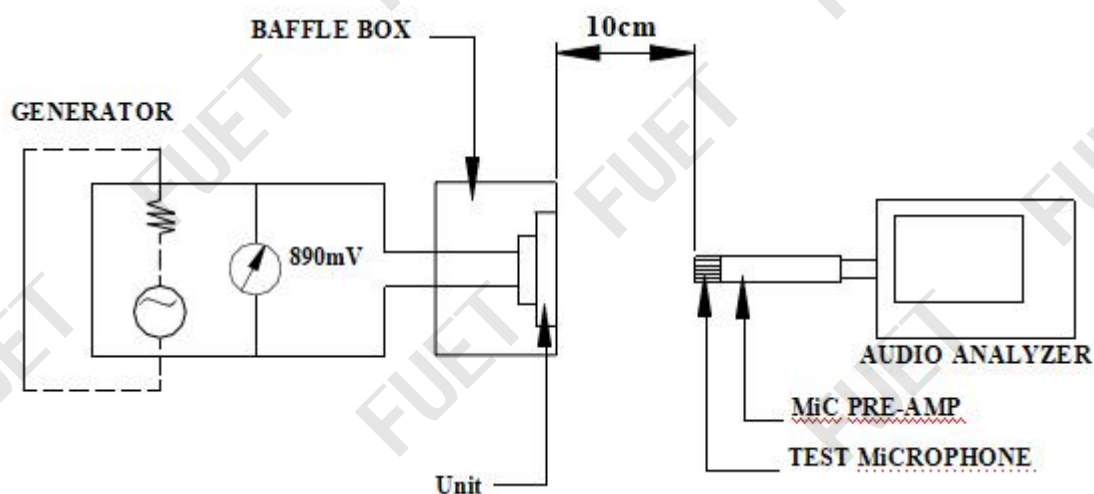
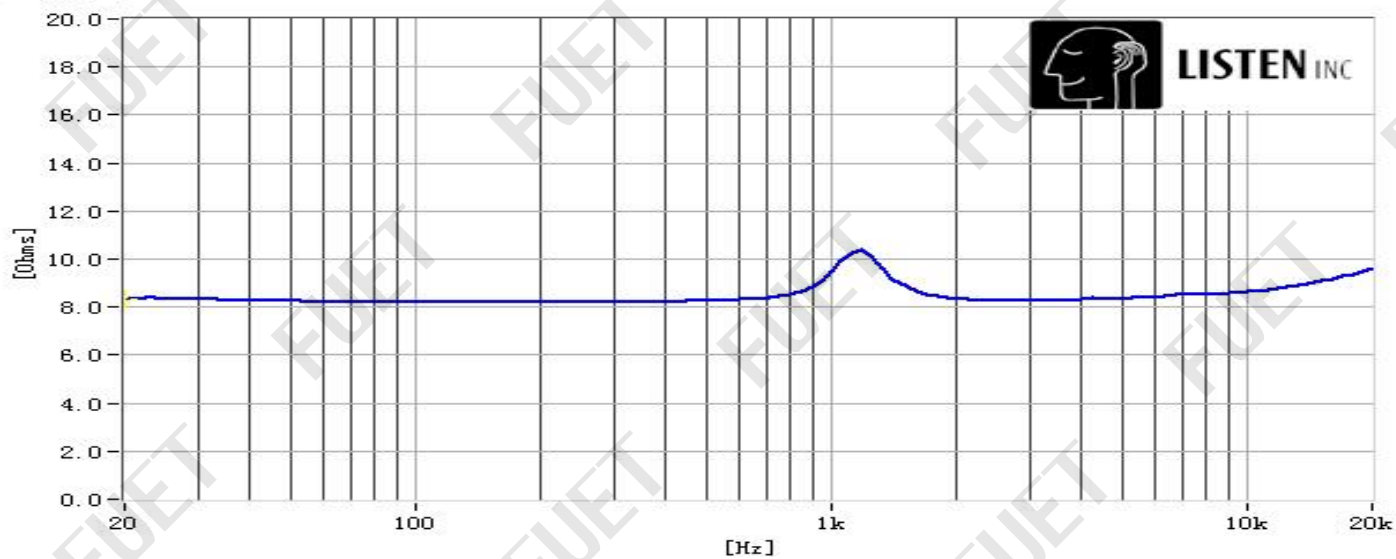


# Frequency Response

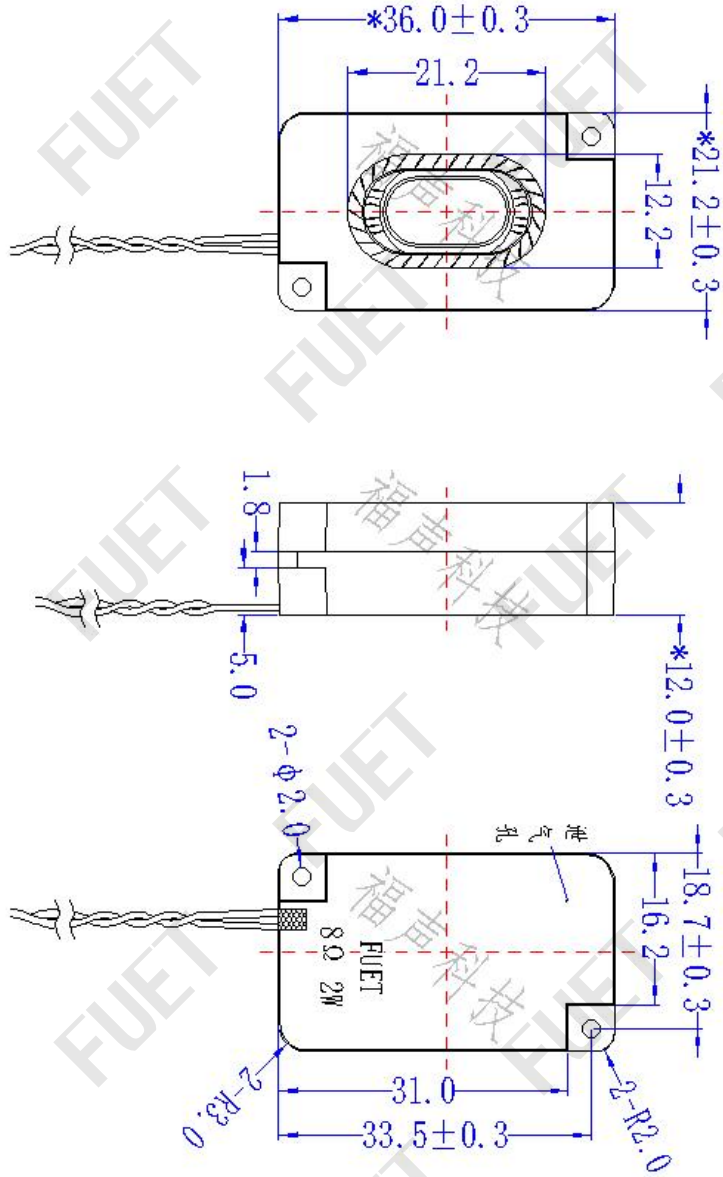
## 频响曲线



## 阻抗曲线



Product Outside View



- 注: 1. 标示“\*”为重点检测尺寸;  
 2. 未有说明, 则默认图示L0.050;  
 3. 未注公差: ±0.2mm

泰州福声电子科技有限公司



SYW	REVISION	NAME	DATE	SCALE	1:1	QUANTITY	DATE	YD
Title: FS3621NB0820-H12.0-R02							DATE	
							DRHT	
							CHECK	
							APPROVE	