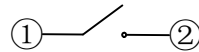
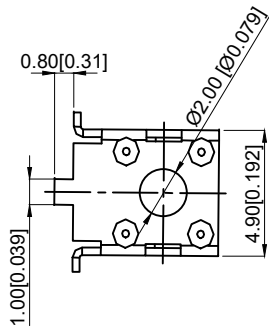
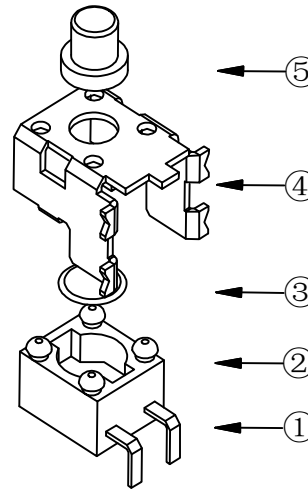
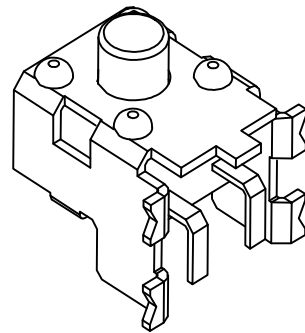
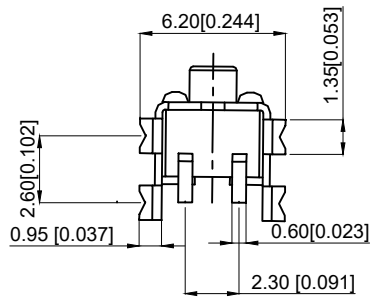


PCB.焊接图  
PCB.WELDING DRAWING



电路图  
CIRCUIT DIAGRAM



NOTES:

1. Rate voltage: 50mA DC12V
1. 额定电压: 50mA DC12V
2. Contact resistance:  $\leq 100m\Omega$
2. 接触电阻;  $\leq 100m\Omega$
3. Operating force:  $260g \pm 50gf$
3. 按力:  $260g \pm 50gf$
4. Travel:  $0.20 \pm 0.10mm$
4. 行程:  $0.20 \pm 0.10mm$
5. Insulated resistance:  $\geq 100m\Omega$
5. 绝缘电阻:  $\geq 100m\Omega$
6. Dielectric strength:  $\geq 250VAC$
6. 介电强度:  $\geq 250VAC$
7. Life: 50000 times
7. 寿命: 50000次
8. Working temperature:  $-20^{\circ}C \sim 80^{\circ}C$
8. 工作温度:  $-20^{\circ}C \sim 80^{\circ}C$

5	Push-button 按钮	PPA	1	Black 黑色
4	Blind flange 盖板	Iron cover plate	1	Copper tin plating 镀铜锡
3	Shrapnel 弹片	SUS	1	Ag plating 镀银
2	Noumenon 本体	PPA	1	Black 黑色
1	Card 卡件	Brass	1	Ag plating 镀银
NO 序号	Part name 部件名	Material 材料	QTY 数量	Remark 备注

A4				
A3				
A2				
A1				
REV	DATE	REVISION	DESCRIPTION	ISSUE



COMMON TOLERANCE

X.XX	$\pm 0.10$
X.X	$\pm 0.15$
X	$\pm 0.25$

ANGULAR

UNIT	MM	PROJECTED		PRODUCT NAME:
DRAWN BY	FUYUAN	CHECKED BY	COCO	MODEL NO: TP12722650
DATE	2019	APPROVAL B	ALEN	Https: www.rocpu.tw
<b>ROCPCU TECHNOLOGY CO.,LTD</b>				
Copies are issued in strict confidence and shall not be reproduced or copied, or used as the basic of manufacture or sale of apparatus without permission				