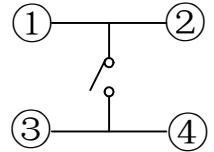
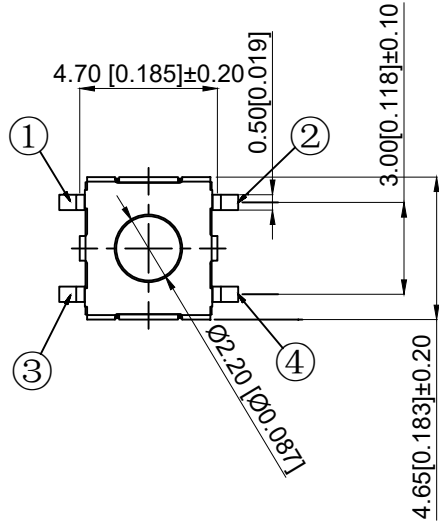
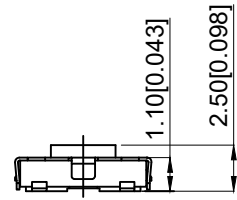
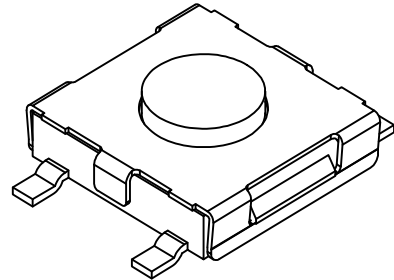


- NOTES:
1. Rating: 12VDC 50mA  
1. 额定值: 12VDC 50mA
  2. Dielectric Strength: 250V AC  
2. 耐电压: 250V AC
  3. Contact Resistance: ≤100mΩ Max  
3. 接触电阻: ≤100mΩ
  4. Insulation Resistance: ≥100MΩ  
4. 绝缘电阻: ≥100MΩ
  5. Operating Force: 260±50gf  
5. 操作力: 260±50gf
  6. Life: 30,000 times  
6. 寿命: 30,000 times
  7. Travel: 0.25±0.1mm  
7. 行程: 0.25 + 0.1mm
  8. Operating Temperature: -20°C±80°C  
8. 使用温度: -20°C±80°C



电路图  
CIRCUIT DIAGRAM



5	Push-button 按钮	PPA	1	Black 黑色
4	Blind flange 盖板	SUS	1	
3	Shrapnel 弹片	SUS	1	Ag plating 镀银
2	Noumenon 本体	PPA	1	Black 黑色
1	Card 卡件	Brass	1	Ag plating 镀银
NO 序号	Part name 部件名	Material 材料	QTY 数量	Remark 备注

A4				
A3				
A2				
A1				
REV	DATE	REVISION	DESCRIPTION	ISSUE



COMMON TOLERANCE	
X.XX	± 0.10
X.X	± 0.15
X	± 0.25
ANGULAR	—

UNIT	MM	PROJECTED	
DRAWN BY	FUYUAN	CHECKED BY	COCO
DATE	2019	APPROVAL B	ALEN

PRODUCT NAME:  
MODEL NO: TP11722625  
Https: www.rocpu.tw

**ROCPCU TECHNOLOGY CO.,LTD**

Copies are issued in strict confidence and shall not be reproduced or copied, or used as the basic of manufacture or sale of apparatus without permission