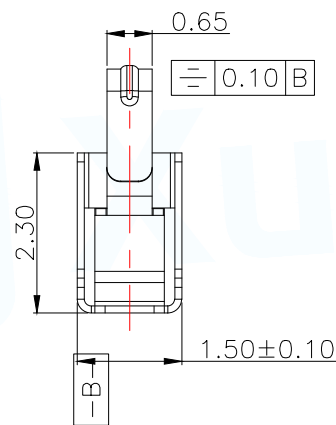
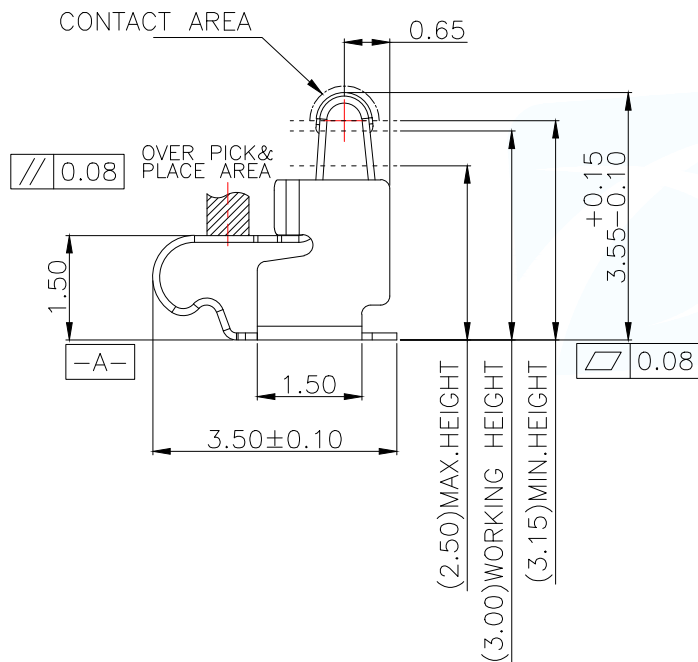


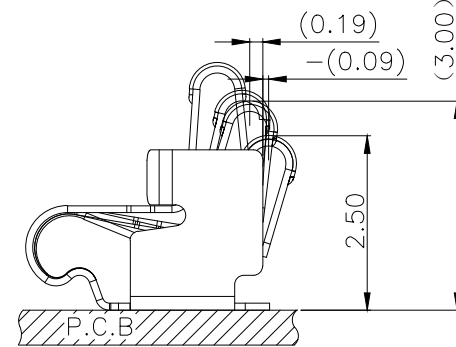
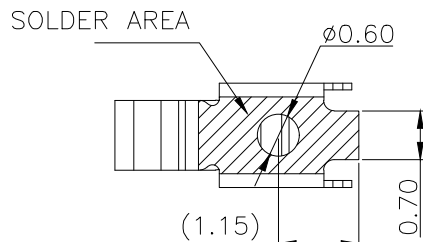
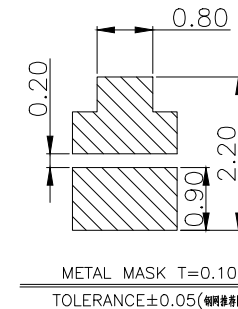
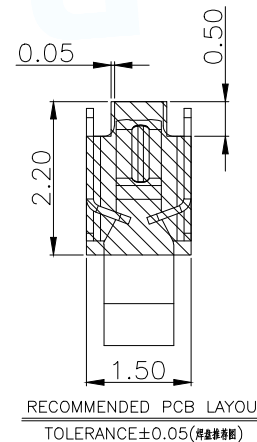
3D View

NOTES

- (1) MATERIAL: SUS-304 THICKNE=0.10mm
- (2) PRODUCT SPECIFICATIONS:
 - 2-1: RATED CURRENT: 1.0A
 - 2-2: VOLTAGE RATING: 1.50V
 - 2-3: CONTACT RESISTANCE: 80mΩ/MAX
 - 2-4: WELDING THRUST: ≥3KG
 - 2-5: OPERATING TEMPERATURE: -40°C~+85°C
 - 2-6: DURABILITY: 1500 CYCLES
- (3) SALT SPRAY: 24 HOURS
- (4) REQUIREMENTS
 - 4-1: TERMINAL TO EAT FULL TIN, NOT PEELING WELDING OBVIOUS COLOR AND OTHER ADVERSE
 - 4-2: ROHS, REACH, HF HALOGEN ADVERSE OF DOMESTIC AND INTERNATIONAL ENVIRONMENTAL REQUIREMENTS

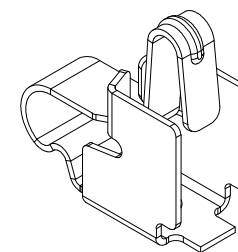
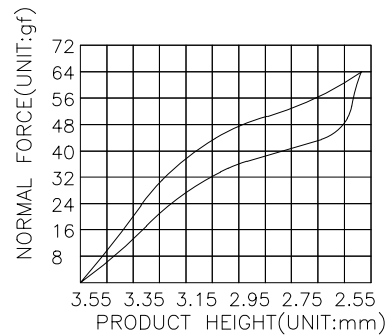
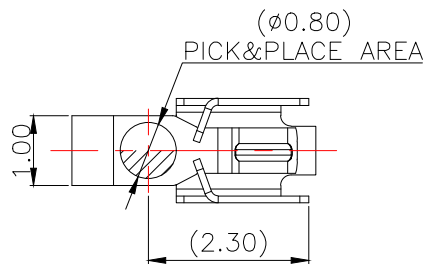


(3.00) WORKING HEIGHT



STATED AT COMPRESSION (FOR REFERENCE ONLY)

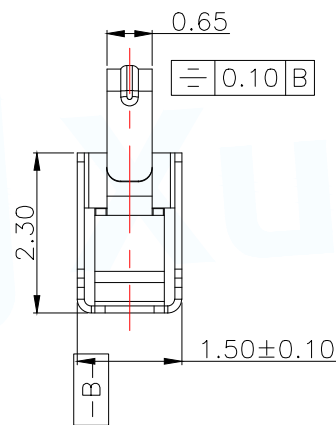
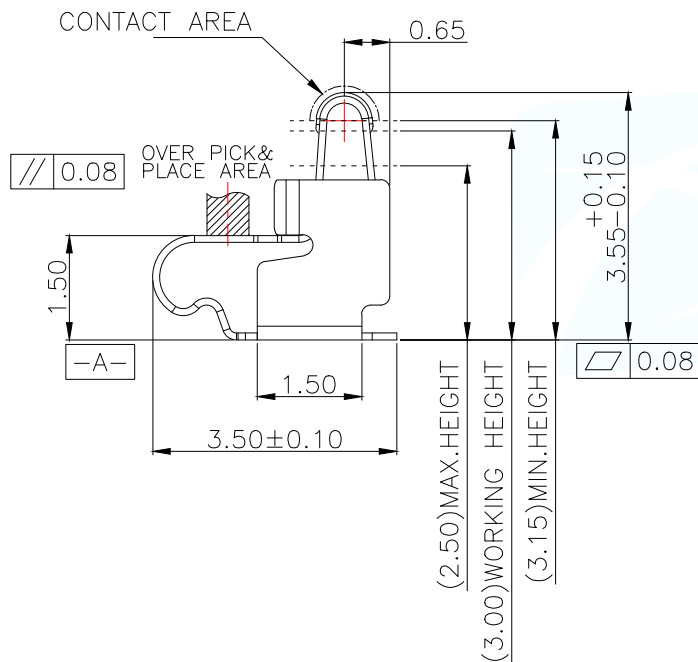
MANUFACTURE DWG		东莞市讯普电子科技有限公司 DongGuan XunPu Electronics Co., Ltd	
UNLESS OTHERWISE SPECIFIED TOLERANCES		TITLE: H3.55 ANTENNA SPRING, SMT T=0.10mm PAR ASP-D3504-A01 DWN Lucas CHKD Ethan APVD Jacob	
DECIMALS:	ANGLES:		SCALE 1:1
X.: ±0.30	X': ±2°		UNIT: MM
X.X: ±0.20	X.X': ±1°		SIZE: A4
X.XX: ±0.15	X.XX': ±0.5°		SHEET: 1F1
CUSTOMER COPY		REV: A	



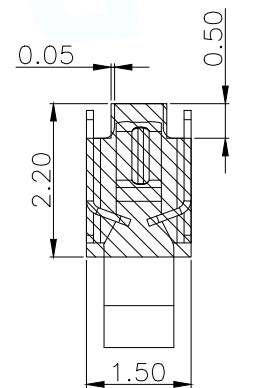
3D View

NOTES

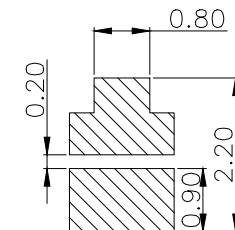
- (1) MATERIAL: SUS-304 THICKNE=0.10mm
- (2) PRODUCT SPECIFICATIONS:
 - 2-1: RATED CURRENT: 1.0A
 - 2-2: VOLTAGE RATING: 1.50V
 - 2-3: CONTACT RESISTANCE: 80mΩ/MAX
 - 2-4: WELDING THRUST: ≥3KG
 - 2-5: OPERATING TEMPERATURE: -40°C~+85°C
 - 2-6: DURABILITY: 1500 CYCLES
- (3) SALT SPRAY: 24 HOURS
- (4) REQUIREMENTS
 - 4-1: TERMINAL TO EAT FULL TIN, NOT PEELING WELDING OBVIOUS COLOR AND OTHER ADVERSE
 - 4-2: ROHS, REACH, HF HALOGEN ADVERSE OF DOMESTIC AND INTERNATIONAL ENVIRONMENTAL REQUIREMENTS



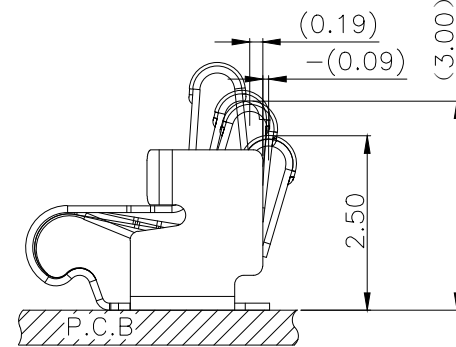
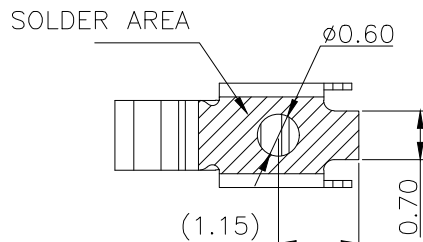
(3.00) WORKING HEIGHT



RECOMMENDED PCB LAYOUT
TOLERANCE ±0.05 (焊盘按规格)



METAL MASK T=0.10
TOLERANCE ±0.05 (铜网按规格)



STATED AT COMPRESSION
(FOR REFERENCE ONLY)

MANUFACTURE DWG		东莞市讯普电子科技有限公司 DongGuan XunPu Electronics Co., Ltd	
UNLESS OTHERWISE SPECIFIED TOLERANCES		TITLE: H3.55 ANTENNA SPRING, SMT T=0.10mm	
DECIMALS:	ANGLES:	PAR	ASP-D3504-A01
X.: ±0.30	X': ±2°	DWN	Lucas
X.X: ±0.20	X.X': ±1°	CHKD	Ethan
X.XX: ±0.15	X.XX': ±0.5°	APVD	Jacob
CUSTOMER COPY		SCALE: 1:1	UNIT: MM
		SIZE: A4	SHEET: 1F1
			REV: A