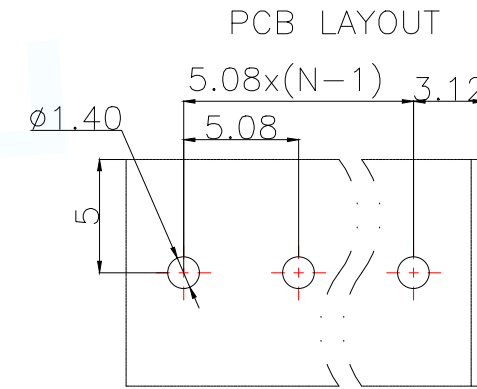
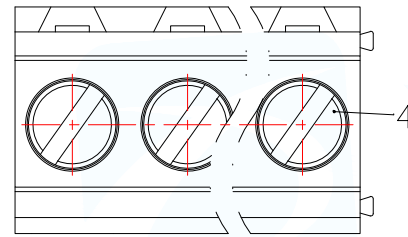
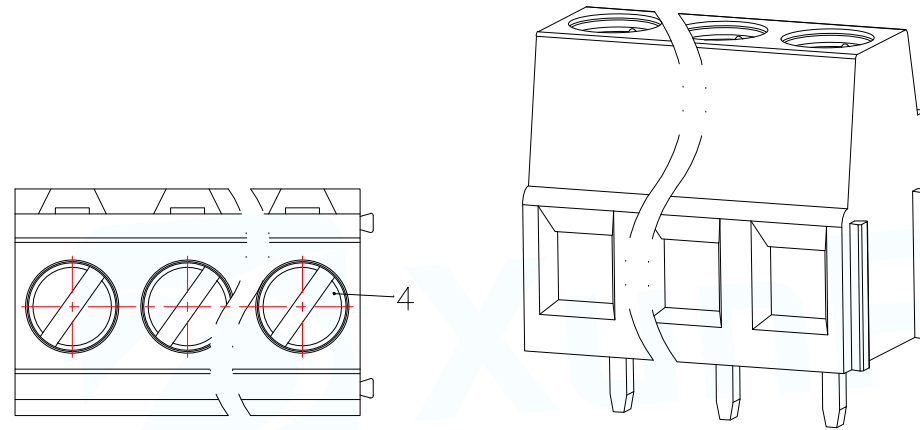


General tolerances(mm)													0.1/10
0 ~ 3	>3 ~ 6	>6 ~ 10	>10 ~ 18	>18 ~ 30	>30 ~ 50	>50 ~ 80	>80 ~ 120	>120 ~ 180	>180 ~ 250	>250 ~ 315	>315 ~ 400	>400 ~ 500	
±0.12	±0.18	±0.22	±0.26	±0.31	±0.37	±0.57	±0.80	±0.93	±1.05	±1.15	±1.60	±2.20	±2.50

UL Standard	B	C	D
Rated Voltage(V)/Current(A)	300/20	/	300/10
IEC Standard			
Overvoltage Category/Pollution Degree	III/3	III/2	I/2
Rated Voltage(V)/Current(A)	/	250/18	/
Withstanding Voltage(V/1min)	/	AC2000	/
Torque Tightening(N·m/Lb.in)	M3, 0.5/4.5		
Wire Range(rigid and flexible)(mm ² /AWG)	30~12/1.0~2.5		
Pitch(mm)/Poles	5.08/N=02~30P		
Stripping length(mm)	6~7		
Operating temperature(°C)	-40~+105		
Conform to RoHS	Yes		



4	Screw	Steel	M3/Zn Plated
3	Cage	Copper Alloy	M3/Ni Plated
2	Housing	PA66	UL94V-0
1	Pin header	Copper alloy	Sn Plated
ITEM	NAME OF PART	MATERIAL	NOTES

MANUFACTURE DWG			东莞市讯普电子科技有限公司 DongGuan XunPu Electronics Co.,Ltd	
UNLESS OTHERWISE SPECIFIED TOLERANCES			TITLE: DG500-5.08	
DECIMALS:	ANGLES:		PAR	DGL508-NP28L-MG361
			DWN	Lucas
		CHKD	Ethan	
		APVD	Jacob	
		SCALE:1:1	UNIT:MM	
		CUSTOMER COPY	SIZE:A4	SHEET:1F1
				REV:A

