

<p>PNP型 低频放大 小功率 贴片三极管 PNP Plastic-Encapsulate Transistors SMD</p>	<p>MMBT2907 对应其他工业型号 2907</p>
<ul style="list-style-type: none"> ■ High breakdown voltage ■ Low collector-emitter saturation voltage ■ Transistor Polarity: PNP ■ Transistor pinout: BEC ■ SOT-23 Package ■ Marking Code: 2F 	

<p style="text-align: center;">Inner circuit</p>  <p style="text-align: center;">SOT-23 内部结构</p>	<p style="text-align: center;">MMBT2907</p>  <p style="text-align: center;">SOT-23 管脚排列</p> <p style="text-align: right;">1. Base 2. Emitter 3. Collector</p>	<p style="text-align: center;">元件标识 (打印)</p>  <p style="text-align: center;">DEVICE MARKING</p>
---	--	--

■ CLASSIFICATION OF hFE

RANK	L	H
RANGE	100~200	200~300

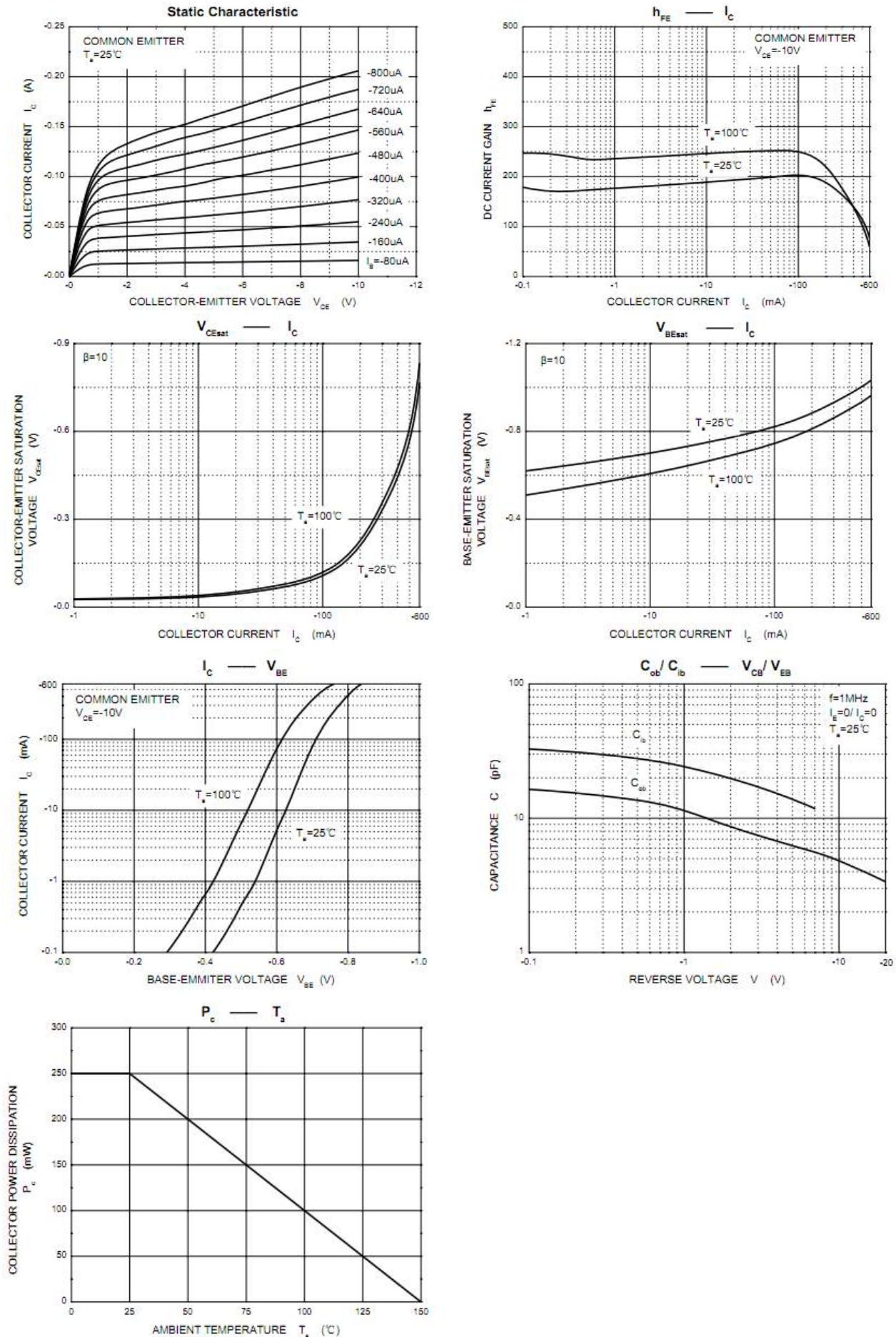
■ MAXIMUM RATINGS

Symbol	Parameter	Value	Unit
V_{CBO}	Collector-Base Voltage	-60	V
V_{CEO}	Collector-Emitter Voltage	-60	V
V_{EBO}	Emitter-Base Voltage	-5	V
I_C	Collector Current -Continuous	-600	mA
P_D	Total Device Dissipation	250	mW
$R_{\theta JA}$	Thermal Resistance Junction to Ambient	500	$^{\circ}C/W$
T_J, T_{stg}	Operation Junction and Storage Temperature Range	-55 to +150	$^{\circ}C$

■ ELECTRICAL CHARACTERISTICS ($T_A=25^{\circ}\text{C}$ unless otherwise noted $^{\circ}\text{C}$)

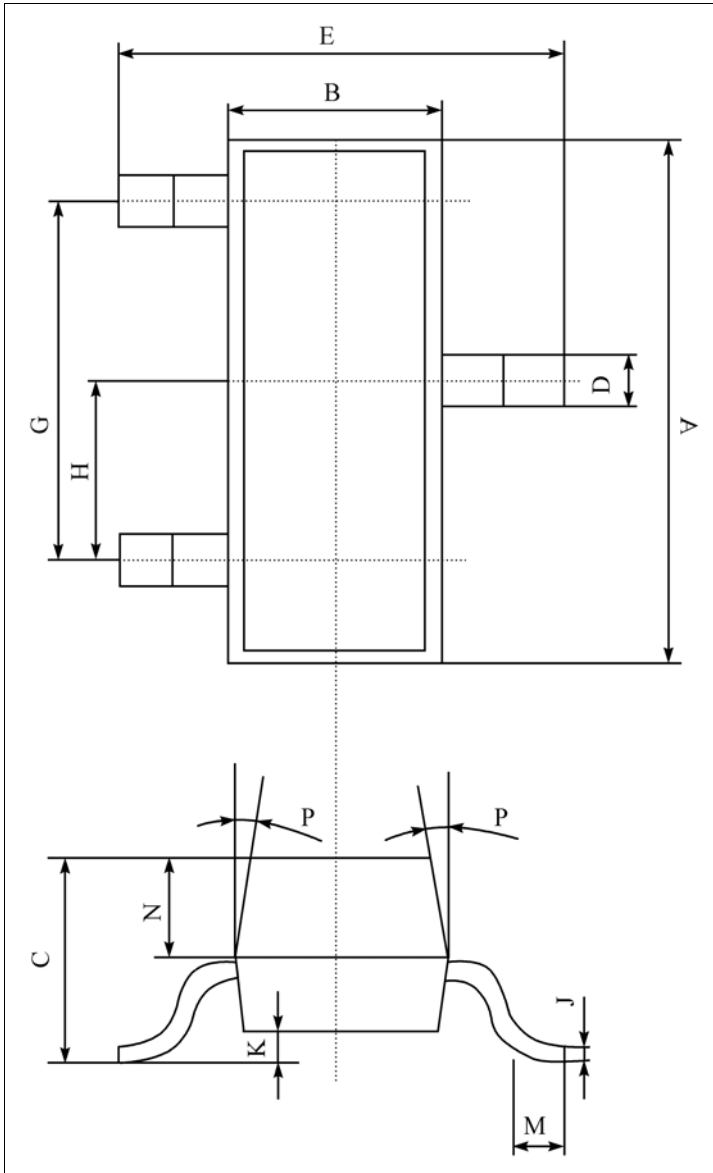
Parameter	Symbol	Test conditions	Min	Typ	Max	Unit
Collector-base breakdown voltage	$V_{(BR)CBO}$	$I_C=-10\mu\text{A}, I_E=0$	-60			V
Collector-emitter breakdown voltage	$V_{(BR)CEO}^*$	$I_C=-10\text{mA}, I_B=0$	-60			V
Emitter-base breakdown voltage	$V_{(BR)EBO}$	$I_E=-10\mu\text{A}, I_C=0$	-5			V
Collector cut-off current	I_{CBO}	$V_{CB}=-50\text{V}, I_E=0$			-20	nA
Base cut-off current	I_{EBO}	$V_{EB}=-3\text{V}, I_C=0$			-10	nA
Collector cut-off current	I_{CEX}	$V_{CE}=-30\text{V}, V_{BE(off)}=-0.5\text{V}$			-50	nA
DC current gain	$h_{FE(1)}$	$V_{CE}=-10\text{V}, I_C=-150\text{mA}$	100		300	
	$h_{FE(2)}$	$V_{CE}=-10\text{V}, I_C=-0.1\text{mA}$	75			
	$h_{FE(3)}$	$V_{CE}=-10\text{V}, I_C=-1\text{mA}$	100			
	$h_{FE(4)}$	$V_{CE}=-10\text{V}, I_C=-10\text{mA}$	100			
	$h_{FE(5)}$	$V_{CE}=-10\text{V}, I_C=-500\text{mA}$	50			
Collector-emitter saturation voltage	$V_{CE(sat)}^*$	$I_C=-150\text{mA}, I_B=-15\text{mA}$			-0.4	V
	$V_{CE(sat)}^*$	$I_C=-500\text{mA}, I_B=-50\text{mA}$			-1.6	V
Base-emitter saturation voltage	$V_{BE(sat)}^*$	$I_C=-150\text{mA}, I_B=-15\text{mA}$			-1.3	V
	$V_{BE(sat)}^*$	$I_C=-500\text{mA}, I_B=-50\text{mA}$			-2.6	V
Transition frequency	f_T	$V_{CE}=-20\text{V}, I_C=-50\text{mA}, f=100\text{MHz}$	200			MHz
Delay time	t_d	$V_{CE}=-30\text{V}, I_C=-150\text{mA}, I_{B1}=-15\text{mA}$			10	ns
Rise time	t_r				25	ns
Storage time	t_S	$V_{CE}=-6\text{V}, I_C=-150\text{mA}, I_{B1}=-I_{B2}=-15\text{mA}$			225	ns
Fall time	t_f				60	ns

■ TYPICAL CHARACTERISTICS



■ DIMENSION

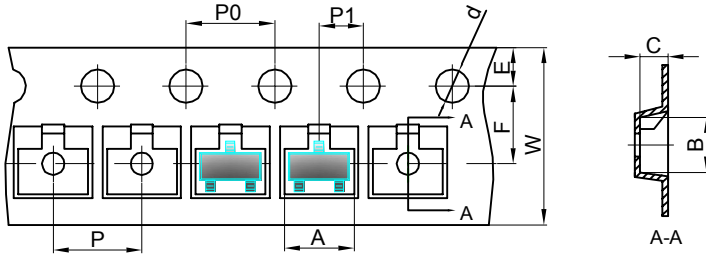
单位 (UNIT) : mm



序号	数值及公差
A	2.90±0.10
B	1.30±0.10
C	1.00±0.10
D	0.40±0.10
E	2.40±0.20
G	1.90±0.10
H	0.95±0.05
J	0.13±0.05
K	0.00-0.10
M	≥0.20
N	0.60±0.10
P	7±2°

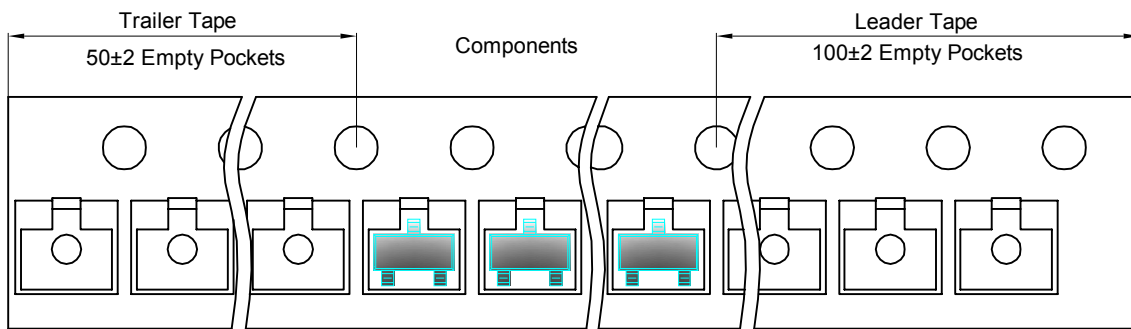
Packing
SOT-23 包装规格
SMD片式表面贴封装
包装方式: 载带卷盘包装
Tape & Reel, 3Kpcs/Reel
每卷数量3000只 (3Kpcs/Reel)
每盒数量45000只 (45Kpcs/BOX)
每箱数量180000只 (180Kpcs/Cartons)

SOT-23 Embossed Carrier Tape

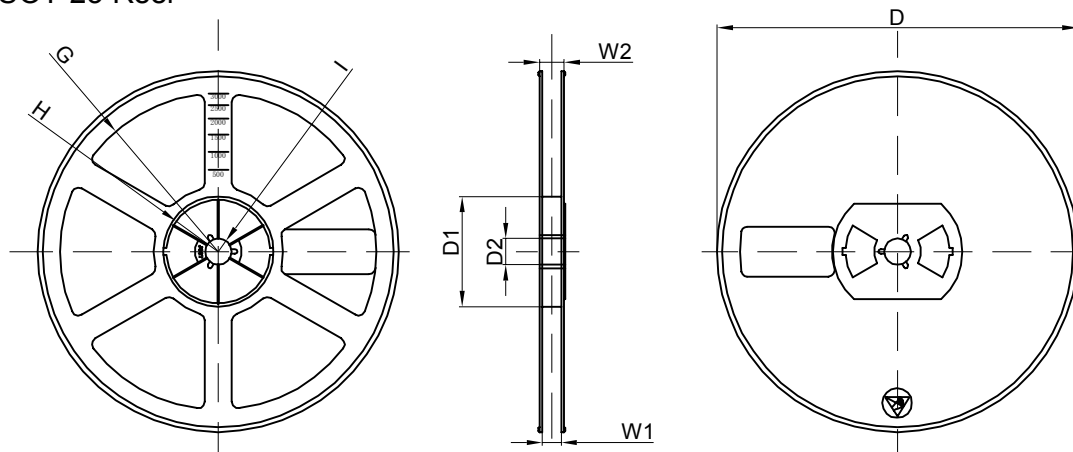


Dimensions are in millimeter										
Pkg type	A	B	C	d	E	F	P0	P	P1	W
SOT-23	3.15	2.77	1.22	Ø1.50	1.75	3.50	4.00	4.00	2.00	8.00

SOT-23 Tape Leader and Trailer



SOT-23 Reel



Dimensions are in millimeter								
Reel Option	D	D1	D2	G	H	I	W1	W2
7" Dia	Ø178.00	54.40	13.00	R78.00	R25.60	R6.50	9.50	12.30

REEL	Reel Size	Box	Box Size(mm)	Carton	Carton Size(mm)	G.W.(kg)
3000 pcs	7 inch	45,000 pcs	192×192×193	180,000 pcs	404×404×214	