

# SPECIFICATION FOR APPROVAL

## 规格书

Customer ( 客户名称 ):

\_\_\_\_\_

Customer P/N(客户编号):

\_\_\_\_\_

Our P/N (本厂编号):

FS7054GS08100-H16.0-R01

Approval Date(日期):

2025-04-06

Environment Request(环境标准):

Non-RoHS (非 RoHS 标准)

RoHS (RoHS 标准)

REACH (REACH 标准)

Others (其他)

### CUSTOMER'S APPROVED SIGNATURE

--	--	--



**福声科技**  
FUSHENG TECHNOLOGY

**泰州福声电子科技有限公司**

Taizhou Fusheng Electronic Technology Co.,Ltd.

Adds: No.98 of FengHuang Road West,Hailing District ,Taizhou .

地址: 江苏省泰州市海陵区凤凰西路98号

Tel: +86-523-86219066

Fax: +86-523- 81601108

[Http://www.tzfsdz.com](http://www.tzfsdz.com)

E-mail: [fs.wu@electronic-tech.cn](mailto:fs.wu@electronic-tech.cn)

	DESINGER	CHECKED	APPROVED
SIGNATURE			
DATE			

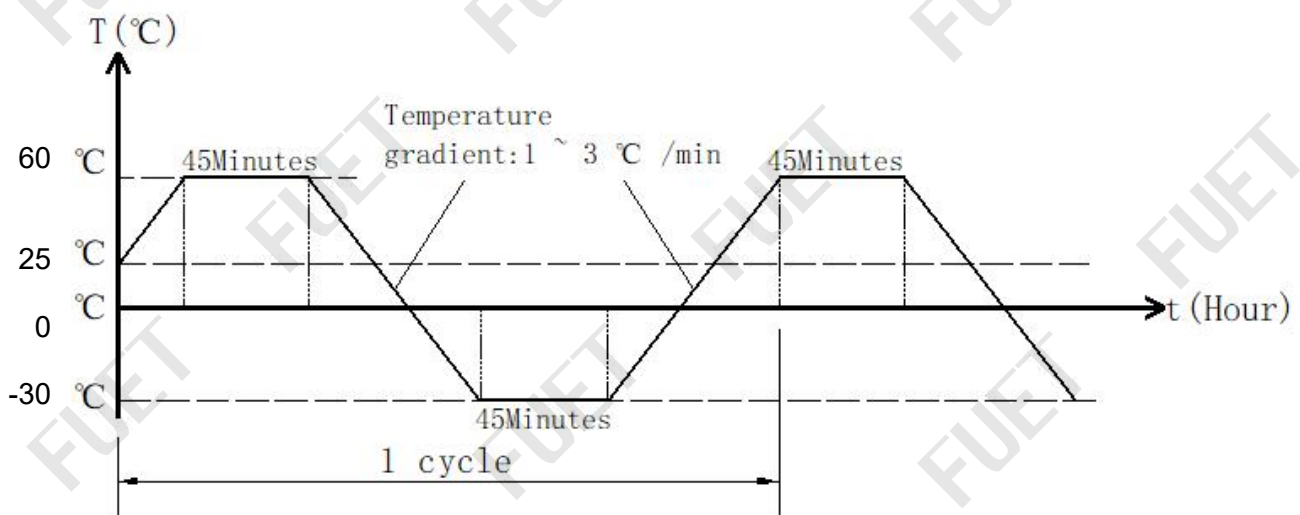


## Speaker Specification

Part No.	Customer No 客户型号		Customer code 客户编号	
	Our Part No 本厂编号	FS7054GS08100-H16.0-R01	Revision 版本	A
No.	Item 项目	Specification 规格	Testing Condition 测试条件	
1.	Rated Imp 共称阻抗	8.0Ω±15%	At 3000Hz 1.0Vrms	
2.	Resonance Freq 最低共振周波数	Fo: 1700Hz±20%	Without Baffle	
3.	Output S.P.L. 出力音压	95.8±3dB	At 0.1m1.0w f0~10.0KHz Average	
4.	Rated Power 额定功率	At 10.0W	at 8.94 V rms	
5.	Max Power 最大功率	at 15.0W	at 11.0V rms	
6.	Frequency Range 实效频宽	F0 ~20kHz	Output S.P.L -10dB	
7.	Operation 可靠性试验	Must Be Normal at Rated Frequency Range	ProgramSource 10.0W FO-10kHz , <b>2.2UF capacitor in series</b>	
8.	Buzzes & Rattles 异常音试验	Should not be audible buzz and rattle at Rated Frequency Range 无异常声	Sine Wave Between (正弦波入力) at 8.0Vrms / 500-1kHz, 2.2UF capacitor in series	
9.	T H D 失真	10% Max	Rated Power Input 2500Hz	
10.	Magnet 磁铁	Nd Fe B		
11.	Operating Temperature 动作温度	-20℃ to +75℃		
12.	Storage Temperature 储存温度	-30℃ to +85℃		
13.	IP(INGRESS PROTECTION) 防水等级	\		
14.	Weight 重量	60.0 / g/PC		

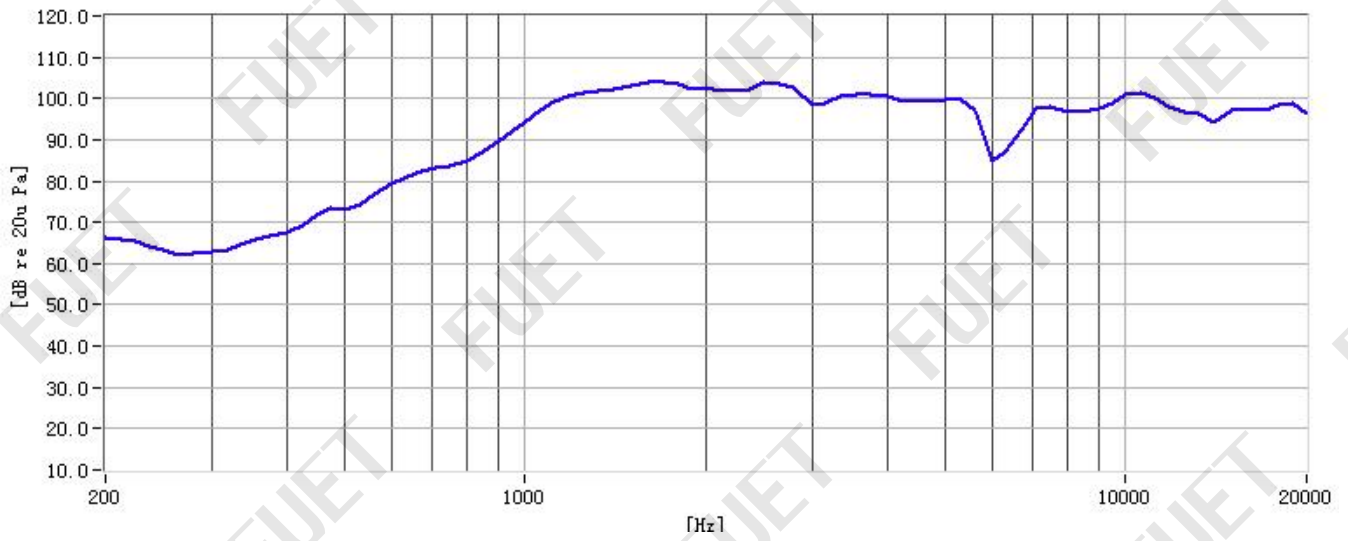
14.	Cold Test 耐寒试验	Must be normal after having been in a test chamber for 96 hours at the condition of $-30^{\circ}\text{C}\pm 2^{\circ}\text{C}$ and then left 2 hours in a room. ( $-30^{\circ}\text{C}\pm 2^{\circ}\text{C}$ , 96 小时试验室温两小时后, 无异常)
15.	Heat Test 耐热试验	Must be normal after having been in a test chamber for 96 hours at the condition of $+60^{\circ}\text{C}\pm 2^{\circ}\text{C}$ 90~95% R.H and then left 2 hours in a room. ( $+60^{\circ}\text{C}\pm 2^{\circ}\text{C}$ 90~95% R.H 96 小时试验, 常温 2 小时后, 无异常的不良)
16.	Load Test 连续负荷试验	Must be normal after load test :white noise, <b>2.2UF capacitor in series</b> , 10.0W , 96 hours. At rated frequency range (白噪音 10.0W, 串联 <b>2.2UF</b> 电容, 连续 96 小时试验后无异常的不良)
17	Short Term Max Power test 瞬间最大功率试验	, Test for 1 hour under maximum power. Input shall be white noise in rated frequency response. <b>2.2UF capacitor in series</b> , And the signal will be 1 second on, 59 seconds off, total 60 cycles at rated frequency range, Must be normal after the test (白噪音 15.0W, 串联 <b>2.2UF</b> 电容 1 秒开 59 秒关, 连续 60 回合, 试验后无异常之不良)
18.	Polarity 极性	When a DC source ' s "+" polarity is attached to speaker's "+" polarity, "-" polarity is attached speaker's "-" polarity, the membrane will move forward. Red wire is "+" and the black wire is "-". (红点为正极)
19.	Drop Test 跌落试验	Drop the speakers contained in normal box onto a board 5mm thick 6 times from a height of 1.0m . Must be normal after the test (在厚 5mm 的木板上从 1.0m 的高度跌落 6 次, 无异常不良)
20.	防水测试 Waterproof grade	IT Should be IP67 Waterproofing

### Temperature Cycle Test(5 cycle)

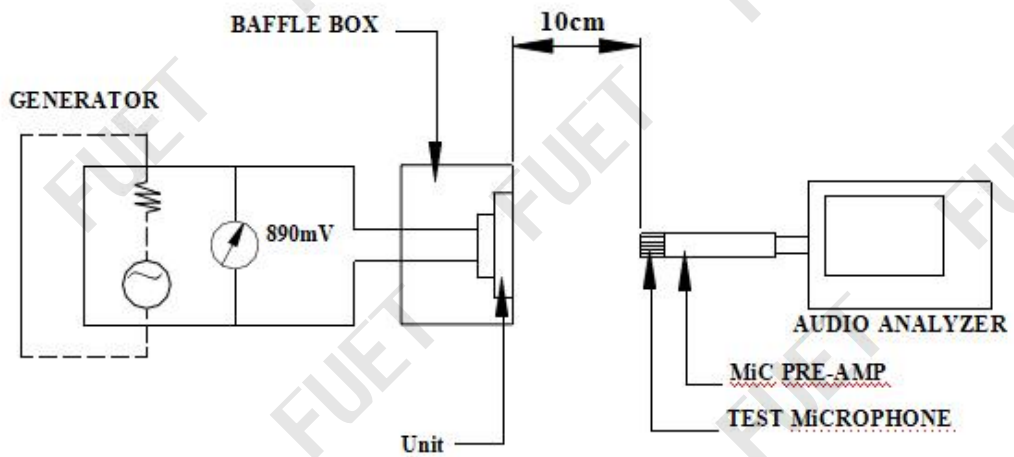
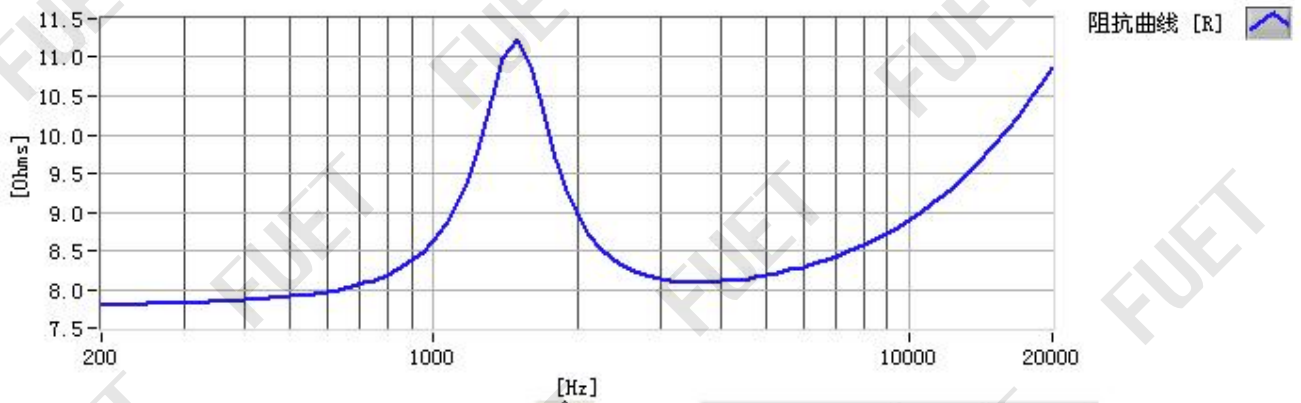


# Frequency Response

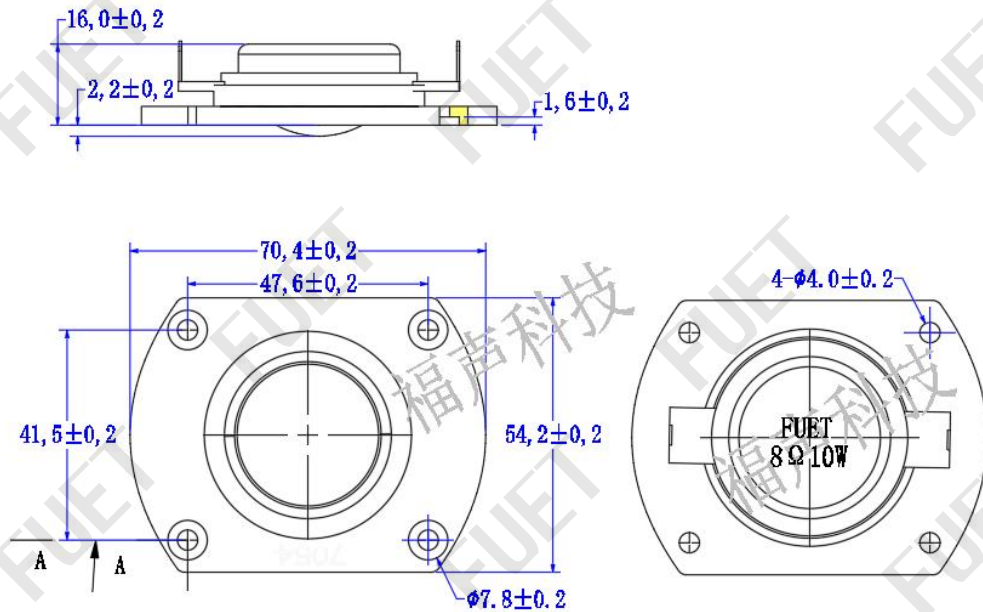
## 频响曲线



## 阻抗曲线



Product Outside View



注:1. 标示“\*”为重点检测尺寸;  
2. 未有说明, 则默认图示LOGO;  
3. 未注公差:  $\pm 0.2\text{mm}$

								版本	VO
								DATE	
SYN	REVISION	NAME	DATE	SCALE	1:1	QUANTITY	1	UNIT	mm
							DRAW	CHECK	APPROVE
							NAME		

泰州福声电子科技有限公司



Title: PS7054GS08100-H16.0-R01

DEMARK:

PART NO:	PART NAME 名称	MATERIAL 材质
1、	Faceplate 面板	ABS
2、	Frame 支架 (中坐)	ABS
3、	Plate 华司	SPCC
4、	Magnet 磁铁	Nd Fe B
6、	Diaphragm 音膜	Natural Silk 蚕丝
7、	Voice Coil 音圈	Kapton+ PECCA
8、	Terminal 接线板	SPCC

Note : Accord With RoHS2.0 Standard