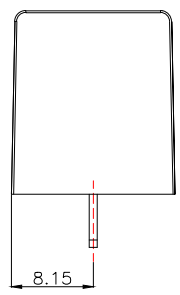
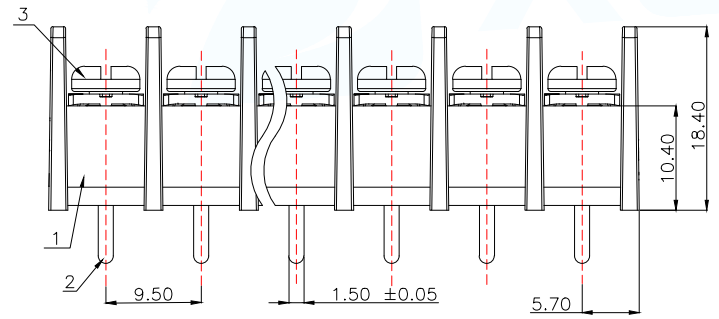
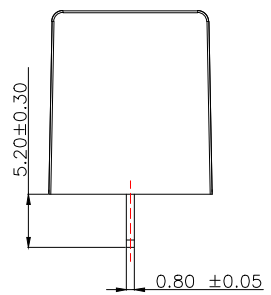
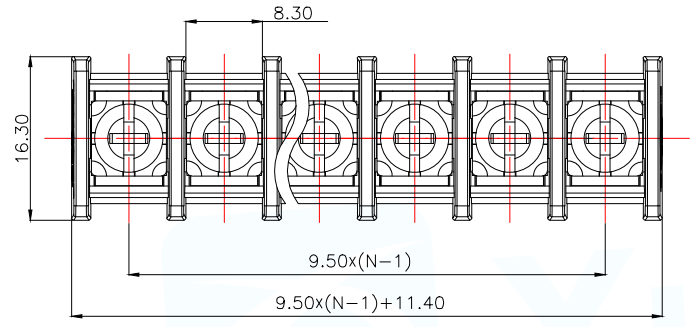


MAPX	MODIFICATION	DATE	DRAW	APPROVE

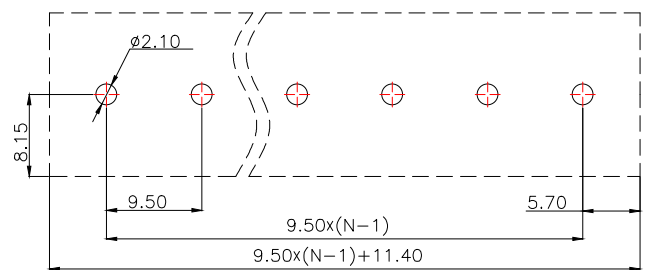
General tolerances(mm)													0.1/10	
0 ~ 3	>3 ~ 6	>6 ~ 10	>10 ~ 18	>18 ~ 30	>30 ~ 50	>50 ~ 80	>80 ~ 120	>120 ~ 180	>180 ~ 250	>250 ~ 315	>315 ~ 400	>400 ~ 500		>500
±0.12	±0.18	±0.22	±0.26	±0.31	±0.37	±0.57	±0.80	±0.93	±1.05	±1.15	±1.60	±2.20	±2.50	±2°

UL Standard		B	C	D
Rated Voltage(V)/Current(A)		300/25	/	/
IEC Standard				
Overvoltage Category/Pollution Degree		Ⅲ/3	Ⅲ/2	Ⅱ/2
Rated Voltage(V)/Current(A)		450/32	/	/
Rate Impulse Voltage(kV)		4	/	/
Torque Tightening(N·m/Lb.in)		M4 1.2/12.24		
Wire Range(rigid and flexible)(mm <sup>2</sup> /AWG)		22~12/0.5~4.0		
Pitch(mm)/Poles		9.50/N=02~26P		
Operating temperature(°C)		-40°~+105°		
Conform to RoHS		Yes		



DGC950-NP10-MB361

- (6=PA66)
- (3=鍍錫)
- (B=黑色)
- (M=母座)
- (直脚)
- (栅栏式接线端子)



PCB LAYOUT

Note:The A&Z(H) in the name means: A(H) and Z(H).

3	Screw	Steel	Ni Plated
2	Pin header	Copper alloy	Sn Plated
1	Housing	PA66	UL94V-0
ITEM	NAME OF PART	MATERIAL	NOTES

MANUFACTURE DWG		东莞市讯普电子科技有限公司 DongGuan XunPu Electronics Co.,Ltd	
UNLESS OTHERWISE SPECIFIED TOLERANCES			TITLE: CUSTOMER DRAWING
DECIMALS:	ANGLES:		PAR DGC950-NP10-MG361
		DWN	
		CHKD	
		APVD	
		SCALE N:A	UNIT:MM
		SIZE:A4	SHEET:1F1
		CUSTOMER COPY	REV:A