



REV.	ECN NO OR DESCRIPTION	REVISED	DATE

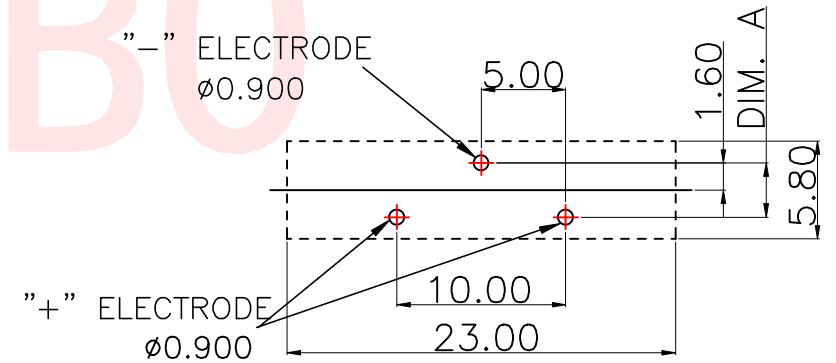
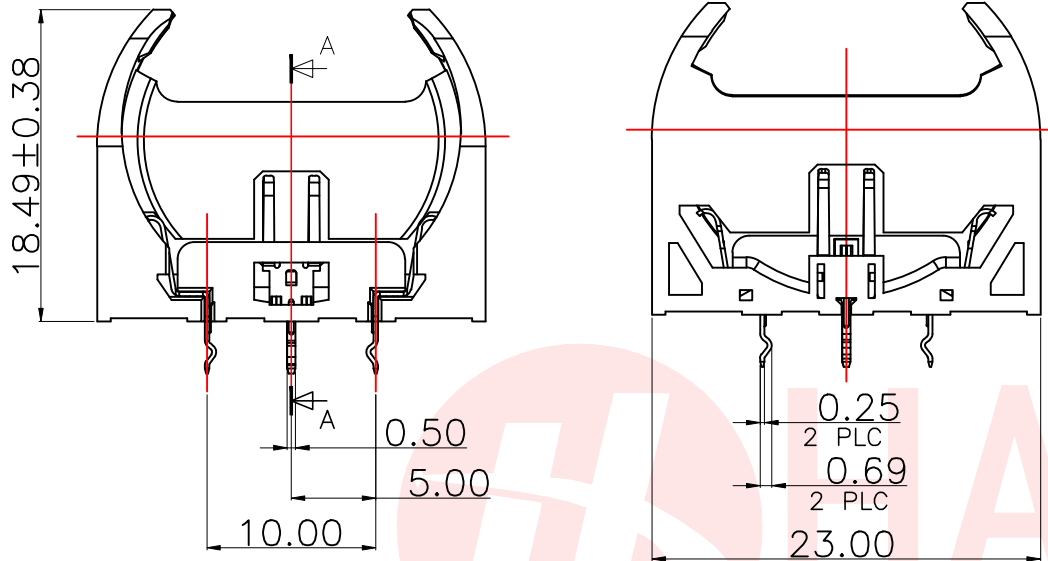
NOTES:

MATERIAL:

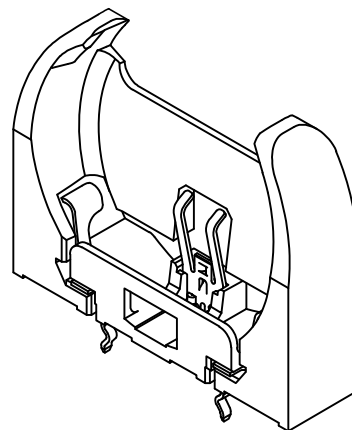
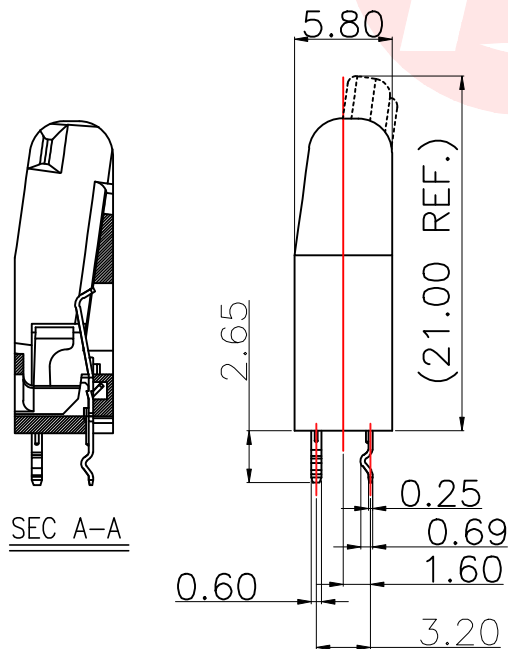
1. HOUSING: PA66,30%G.F UL94V-0,COLOR: BLACK OR BLUE.
2. CONTACT: SUS304.
3. CONTACT PLATED: GOLD FLASH PLATED ON CONTACT AREA, TIN PLATED ON SOLDER TAILS, NICKEL UNDER PLATED OVER ALL.

ELECTRICAL CHARACTERISTICS:

1. CURRENT RATING: 1.5AMP.
2. CONTACT RESISTANCE: 30mΩ MAX.
3. INSULATION RESISTANCE: 1000MΩ MIN AT 500V DC.
4. DIELECTRIC WITHSTANDING VOLTAGE: 750V AC RMS FOR 1 MINUTE.
5. OPERATING TEMPERATURE : -55°C TO +105°C.



P. C. B
LAYOUT



UNLESS OTHERWISE SPECIFIED TOLERANCES

DECIMALS: ANGLES:
X :±0.30 X :±2°
X.X :±0.20 X.X :±1°
X.XX :±0.10



东莞市汉博电子科技有限公司
DONGGUAN HANBO TECHNOLOGY CO., LTD

TITLE	BS Cell connector			
DWN	xiong	PART NO. BS-170903		
CHKD	lee	SCALE:1:1	UNIT: mm	
APVD	wang	SIZE: A4	SHEET:10F 1	REV: A4

CUSTOMER COPY