

Features

- Adjustable output voltage range: 2.495V~36V
- Low Dynamic Output Resistance: 0.15Ω(typ)
- Low Temperature Deviation: 5mV(typ)
- Low Output Noise
- High Stability under Capacitive Load
- Current capacity range 1-100 mA
- accuracy 0.5%
- Package appearance SOP8

Applications

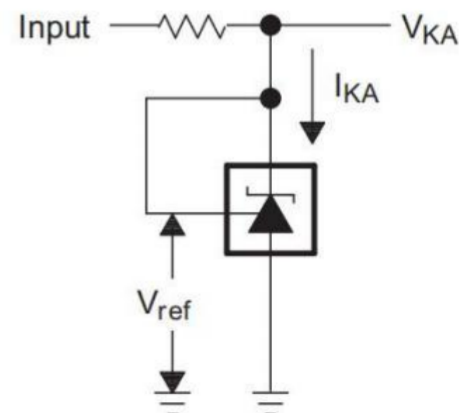
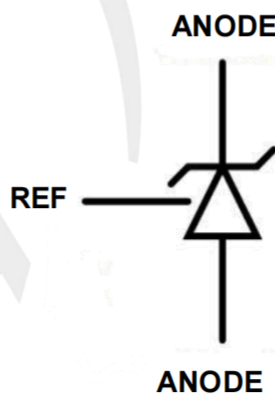
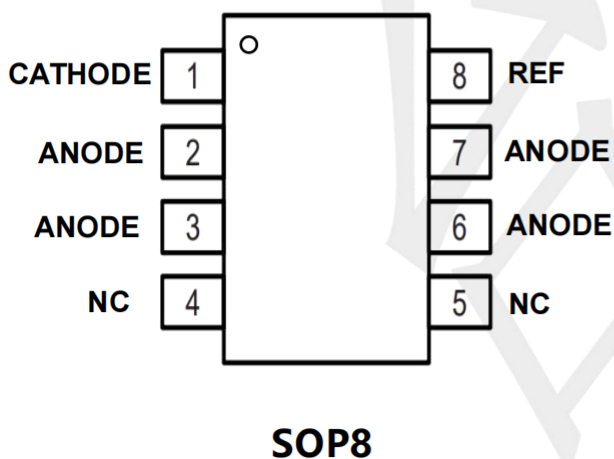
- Adjustable voltage and current reference
- Zener diode replacement products
- Voltage monitoring
- A comparator with an integrated benchmark
- Secondary side voltage regulation in flyback switch mode power supply (SMPS)

General Description

Precision adjustable reference source

The is a three terminal adjustable parallel regulator that can Set the output voltage through two external resistors Between Vref (approximately 2.495V) and 36V Any value. These devices have an output of 0.15 Ω (typ) Output impedance. Active output circuits can provide very sharp The conductivity characteristics of these devices enable them to be used in many applications Becoming an excellent substitute for Zener diodes in use, this Some applications include onboard voltage regulation, adjustable power supply, and power on/off Power off.

Circuit diagram and pin information



Note : Pin 4, 5 NC – No internal connection

Absolute Maximum Ratings

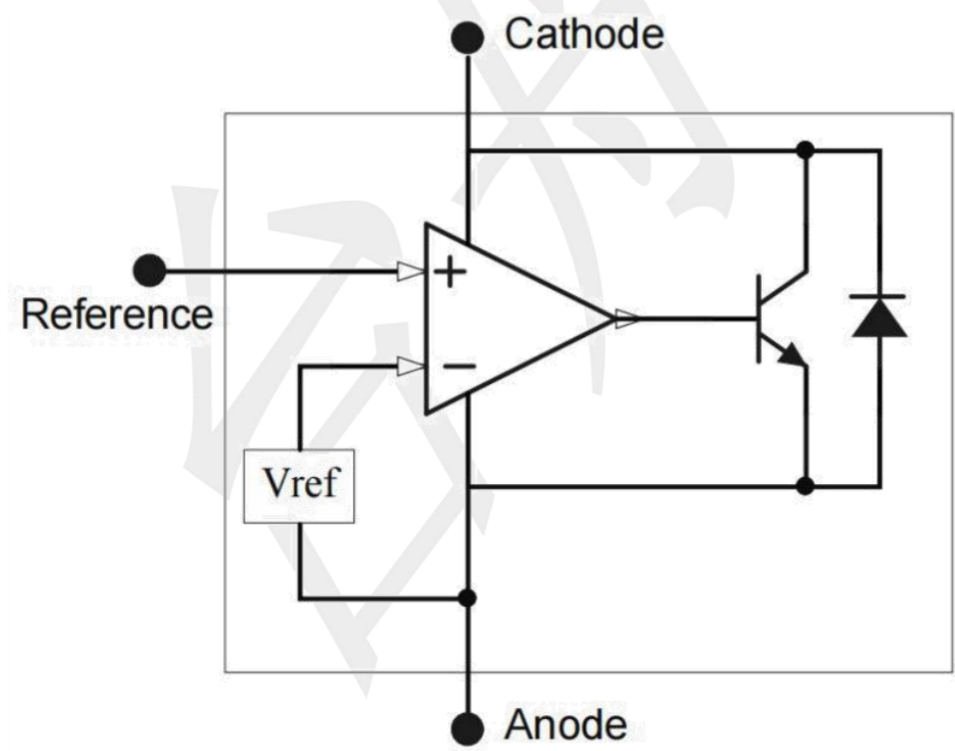
Within the range of $T_A=25\text{ }^\circ\text{C}$ (unless otherwise specified)

Parameter		Value	UNIT
P_M	Power Rating	0.7	W
V_{KA}	Cathode voltage	36	V
I_{KA}	Continuous cathode current range	-100 ~ +150	mA
$I_{I(ref)}$	Reference input current range	10	mA
T_{OA}	Operating Ambient Temperature Range	-40 ~ +125	$^\circ\text{C}$
T_J	Operating virtual junction temperature	+150	$^\circ\text{C}$
T_{stg}	Storage temperature range	-55 ~ +150	$^\circ\text{C}$
ESD	Human Body Model	6	KV
ESD	Machine Model	0.4	KV

(1) Exceeding the absolute maximum rated pressure listed may result in permanent damage to the equipment. These are only rated stresses and do not imply any of them or any of them. The functional operation of the equipment under his conditions (beyond the conditions indicated under the 'recommended working conditions'). Long term exposure to absolute maximum rated conditions can It can affect the reliability of the equipment.

(2) Unless otherwise specified, all voltage values are related to the anode.

BLOCK DIAGRAM



Electrical Characteristics

Under recommended working conditions, $T_A=25\text{ }^\circ\text{C}$ (unless otherwise specified)

PARAMETER	SYMBOL	TEST Conditions	MIN	TYP	MAX	UNIT
Reference voltage (Fig.1)	V_{REF}	$V_{KA}=V_{REF}$, $I_K=10\text{mA}$	2.483	2.495	2.507	V
Continuous cathode current range	I_{KA}	Operating Conditions	1.0	--	100	mA
Deviation of reference input voltage over full temperature (1)(Fig.1)	V_{REF} (DEV)	$V_{KA}=V_{REF}$, $I_K=10\text{mA}$, $T_A=-20\text{ }^\circ\text{C}\sim 110\text{ }^\circ\text{C}$	--	5.0	10	mV
Ratio of change in reference input voltage to the change in cathode voltage (Fig.2)	$\frac{\Delta V_{REF}}{\Delta V_{KA}}$	$I_K=10\text{mA}$, $\Delta V_{KA}=10\text{V}\sim V_{REF}$	--	0.4	--	mV/V
		$I_K=10\text{mA}$, $\Delta V_{KA}=36\text{V}\sim 10\text{V}$	--	-0.4	--	mV/V
Reference input current (Fig.2)	I_{REF}	$I_K=10\text{mA}$, $R_1=10\text{K}\Omega$, $R_2=\infty$	--	0.7	4.0	μA
Deviation Of reference input current over full temperature range (Fig.2)	ΔI_{REF}	$I_K=10\text{mA}$, $R_1=10\text{K}\Omega$, $R_2=\infty$, $T_A=-10\text{ }^\circ\text{C}\sim 125\text{ }^\circ\text{C}$	--	0.4	1.2	μA
Minimum cathode current for regulation (Fig.1)	I_{KMIN}	$V_{KA}=V_{REF}$	--	0.35	1.0	mA
Off-state cathode current (Fig.3)	I_{OFF}	$V_{KA}=12\text{V}$, $V_{REF}=0$	--	0.05	1.0	μA
Dynamic impedance	Z_{KA}	$V_{KA}=V_{REF}$, $I_K=1\text{mA}\sim 100\text{mA}$, $f\leq 1\text{KHz}$	--	0.15	0.5	Ω
Thermal Resistance	θ_{JC}		--	115	--	$^\circ\text{C/W}$

Figure 1. Test Circuit for $V_{KA} = V_{ref}$

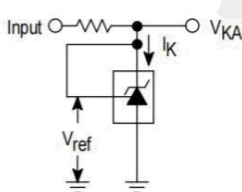


Figure 2. Test Circuit for $V_{KA} > V_{ref}$

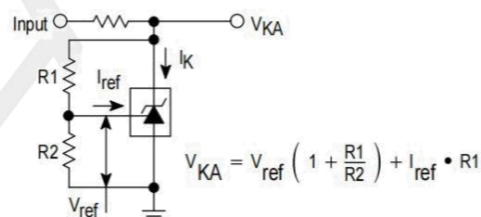
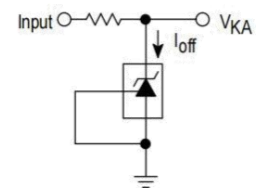
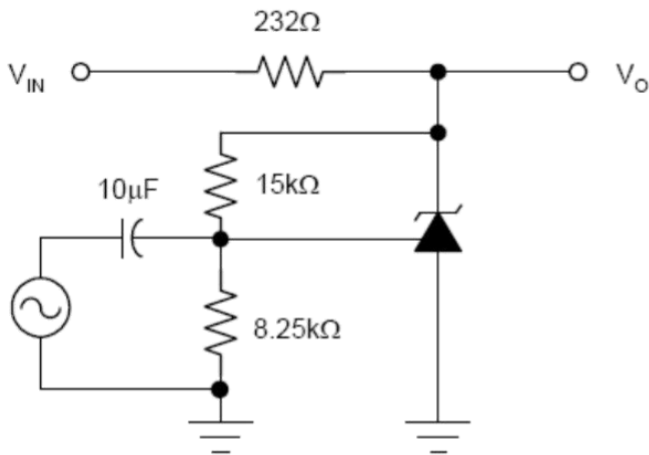


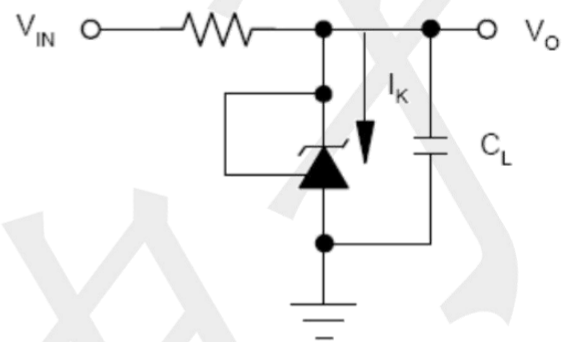
Figure 3. Test Circuit for I_{off}



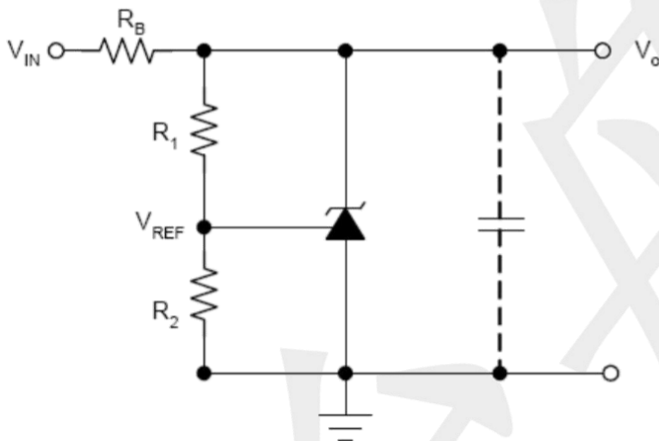
Typical Application Circuits



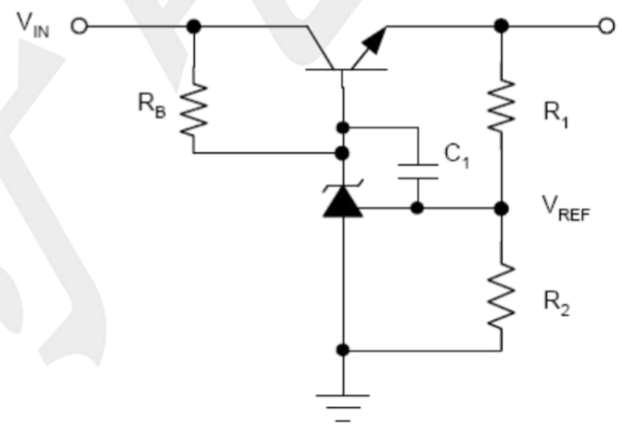
Voltage Amplification
Test Circuit



Stability Test Circuit for $V_{KA}=V_{REF}$



Precision Voltage Reference



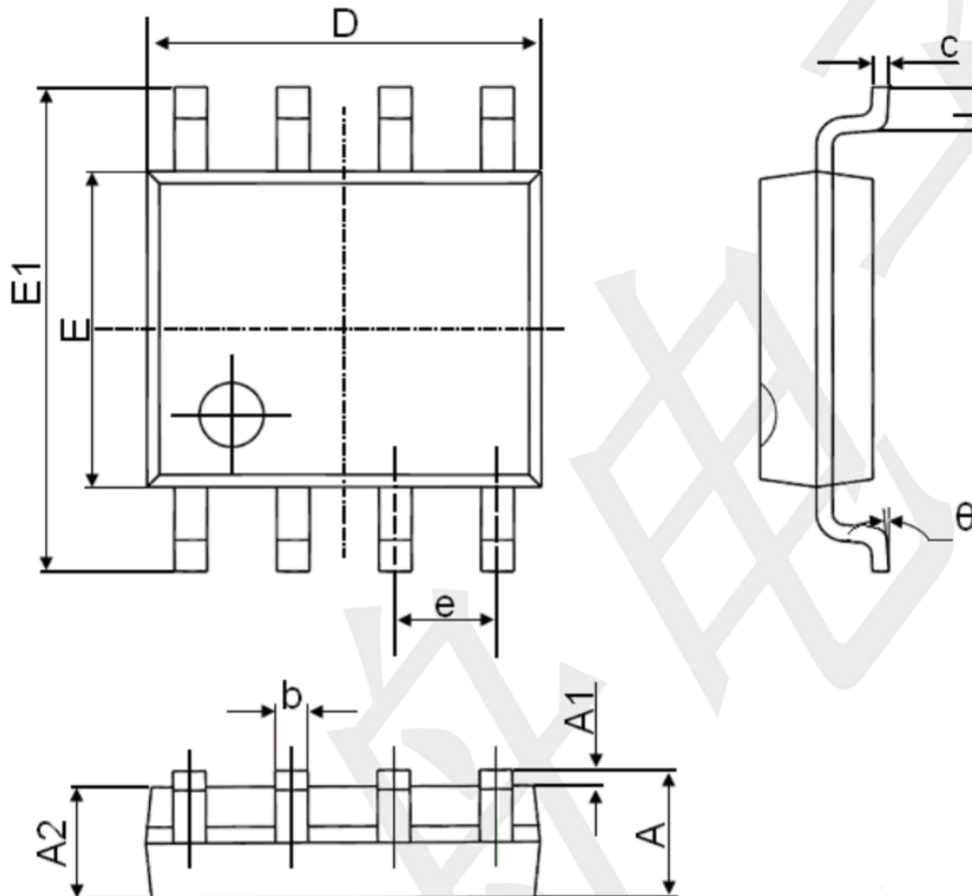
Precision High-Current Series Regulator

Notes for Typical Application Circuits:

1. For the series regulator applications, add a compensation capacitor C_1 between CATHODE and REF is strongly recommended to improve the stability of output voltage.
2. Set V_O according to the following equation: $V_O=V_{REF}(1+R_1/R_2)+I_{REF}\times R_1$.
3. Choose the Value for R_B as below:
 - (1). The maximum limit for R_B should be such that the cathode current (I_K) is greater than the minimum operating current (1mA) at $V_{IN}(\text{MIN})$.
 - (2). The minimum limit for R_B should be such that the cathode current (I_K) does not exceed 100mA under all load conditions, and the instantaneous turn-on value for I_K does not exceed 120mA.

Package Outline Dimensions (unit: mm)

SOP8



Symbol	Dimensions In Millimeters		Dimensions In Inches	
	Min.	Max.	Min.	Max.
A	1.350	1.750	0.053	0.069
A1	0.100	0.250	0.004	0.010
A2	1.350	1.550	0.053	0.061
b	0.330	0.510	0.013	0.020
c	0.170	0.250	0.006	0.010
D	4.700	5.100	0.185	0.200
E	3.800	4.000	0.150	0.157
E1	5.800	6.200	0.228	0.244
e	1.270(BSC)		0.050(BSC)	
L	0.400	1.270	0.016	0.050
θ	0°	8°	0°	8°