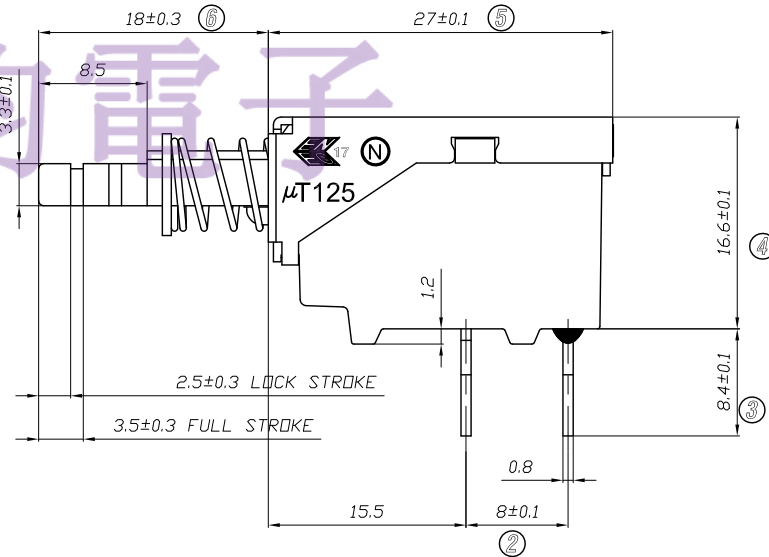
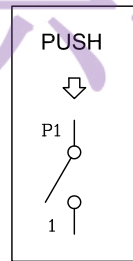
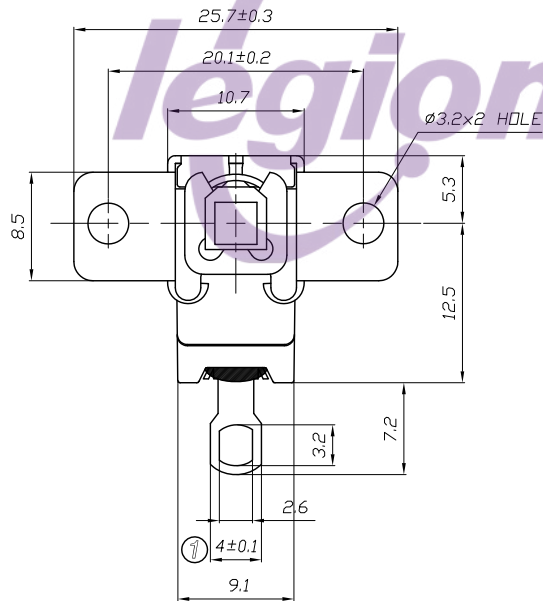
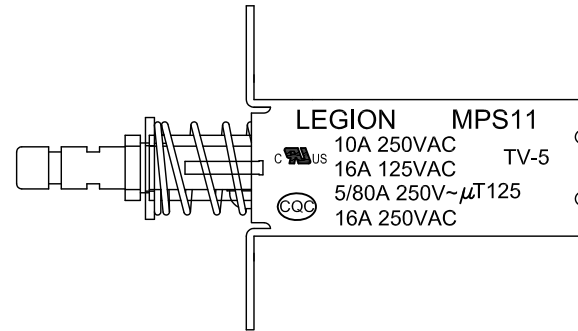


- 1.CIRCUIT:ON/OFF
- 2.SOLDERING TYPE, LONG TERMINAL
- 3.RATING:16A 125VAC/10A 250VAC(C-UL)
TV-5(C-UL)
5A/80A 250V~ T125μ(ENEC17;NEMKO;CB)
16A 250V~ 12A 250V~ 5/80A 250V~ T125μ(CQC)
- 4.SILVER CONTACT:Ag ALLOY(t=0.5mm) CLAD COPPER ALLOY
- 5.ALL MATERIALS USE IN CONFORMIY WITH THE RoHS DIRECTIVE

TEL: 0769-82310511-867



5	→	10	→	DIMENSIONAL TOLERANCES		APPROVED	CHECKED	DESIGN	DRAWN	ALL SIZE ARE IN	MM		
4	→	9	→	RANGE	TOLERANCE				LMC	SCALE	NO		
3	→	8	→	X	±0.30				2019.05.20	MAT'L	***	DRAWING NO.	REV.
2	→	7	→	X.X	±0.20					MATERIAL NO.			
1	→	6	→	X.XX	±0.10					MPS11-GL180-R		WIF120100	AO
NO	DESCRIPTION	NO	DESCRIPTION	ANGLES	±1'	LEGION ELECTRONIC & HARDWARE CO., LTD.							