

MCP19124/5 Flash Memory Programming Specification

This document includes the programming specifications for the following devices:

- MCP19124
- MCP19125

1.0 PROGRAMMING THE MCP19124 AND MCP19125 DEVICES

The MCP19124/5 devices are programmed using a serial method. The Serial mode will allow these devices to be programmed while in the user's system. These programming specifications apply to all of the above devices in all packages.

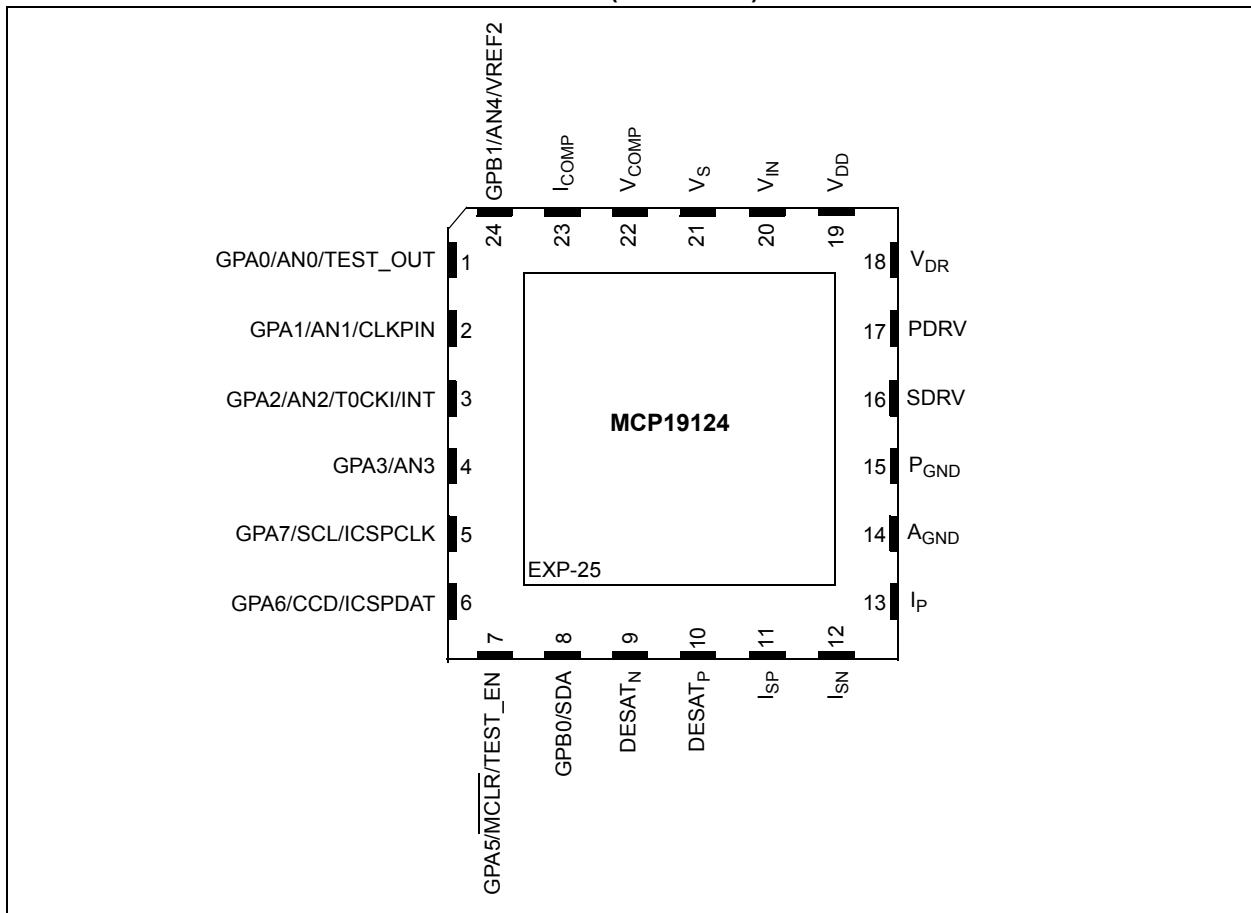
1.1 Hardware Requirements

This family of devices requires one power supply for V_{IN} , see Table 6-1. The V_{DD} that is used to bias all internal circuitry is internally generated and regulated to 5V. Analog circuitry is powered from internally generated A_{VDD} and is regulated to 4V.

1.2 Program/Verify Mode

The Program/Verify mode for this family of devices allows programming the user program memory, the user ID locations, the Calibration Word and the Configuration Word.

FIGURE 1-1: PIN DIAGRAM – 24-PIN QFN (MCP19124)



MCP19124/5

TABLE 1-1: PIN DESCRIPTIONS IN PROGRAM/VERIFY MODE: MCP19124

Pin Name	During Programming		
	Function	Pin Type	Pin Description
GPA7	ICSPCLK	I	Clock Input – Schmitt Trigger Input
GPA6	ICSPDAT	I/O	Data Input/Output – Schmitt Trigger Input
$\overline{\text{MCLR}}$	Program/Verify mode	P ⁽¹⁾	Program Mode Select
V_{IN}	V_{IN}	P	Device Power Supply Input
V_{DD}	V_{DD}	P	Power Supply Output
GND	V_{SS}	P	Ground

Legend: I = Input, O = Output, P = Power

Note 1: In the MCP19124, the programming high voltage is internally generated. To activate the Program/Verify mode, voltage of V_{IHH} and a current of I_{IHH} (see [Table 6-1](#)) need to be applied to the $\overline{\text{MCLR}}$ input.

FIGURE 1-2: MCP19124 WIRING DIAGRAM

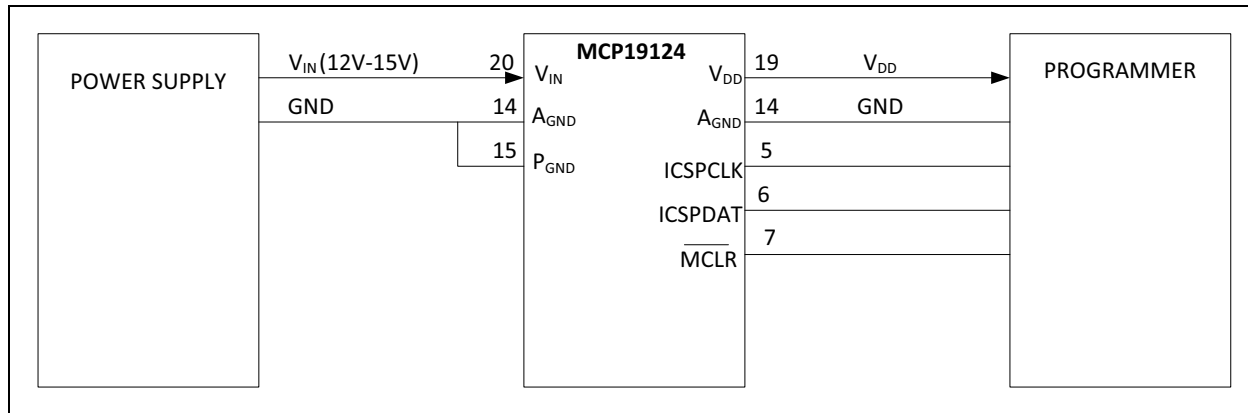


FIGURE 1-3: PIN DIAGRAM – 28-PIN QFN (MCP19125)

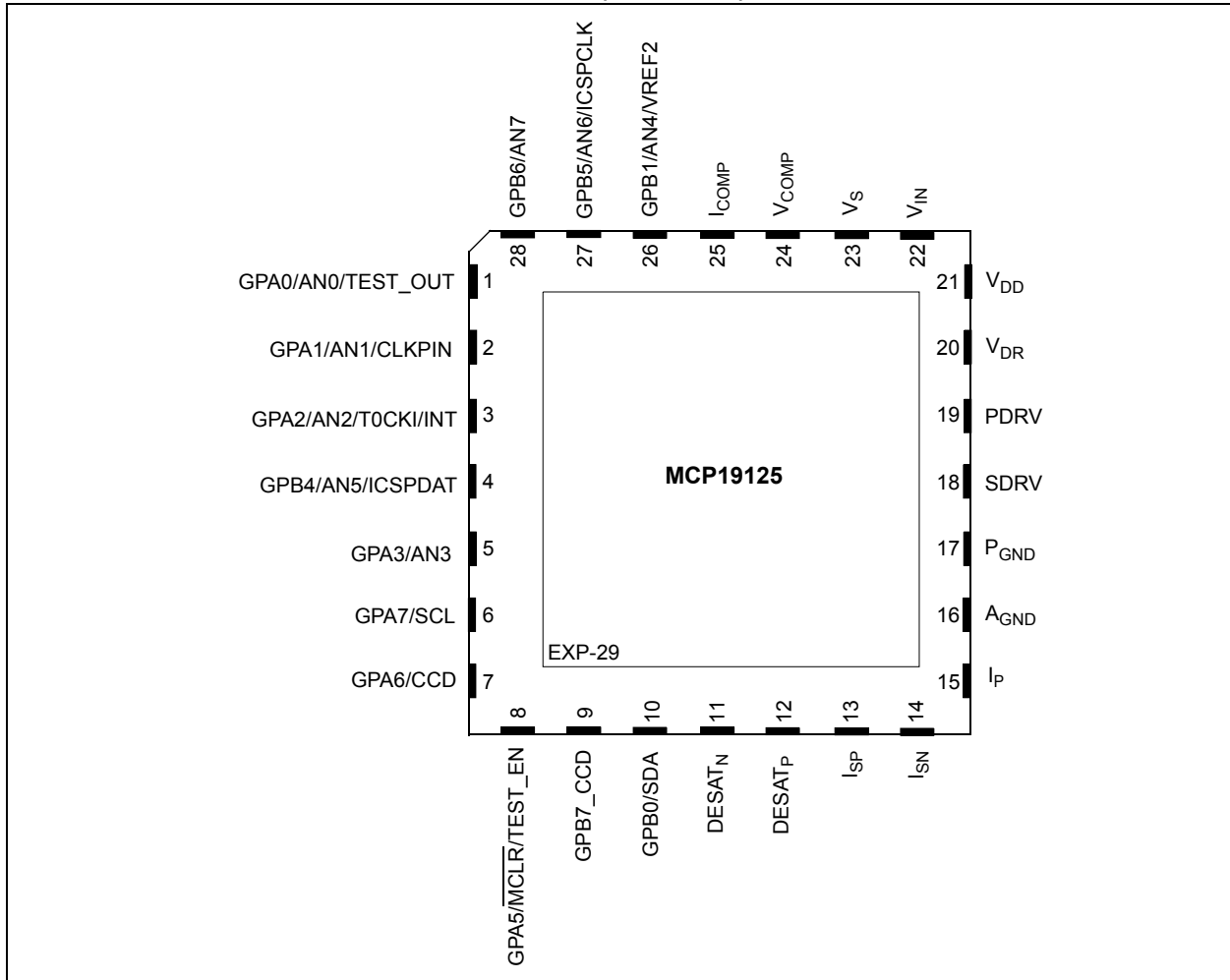


TABLE 1-2: PIN DESCRIPTIONS IN PROGRAM/VERIFY MODE: MCP19125

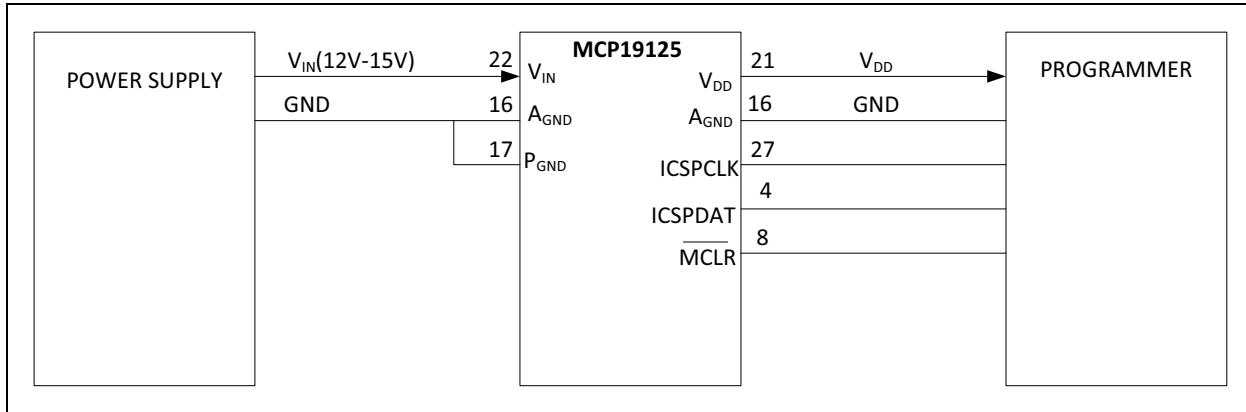
Pin Name	During Programming		
	Function	Pin Type	Pin Description
GPB5	ICSPCLK	I	Clock Input – Schmitt Trigger Input
GPB4	ICSPDAT	I/O	Data Input/Output – Schmitt Trigger Input
MCLR	Program/Verify mode	P ⁽¹⁾	Program Mode Select
V _{IN}	V _{IN}	P	Device Power Supply Input
V _{DD}	V _{DD}	P	Power Supply Output
GND	V _{SS}	P	Ground

Legend: I = Input, O = Output, P = Power

Note 1: In the MCP19125, the programming high voltage is internally generated. To activate the Program/Verify mode, voltage of V_{IHH} and a current of I_{IHH} (see Table 6-1) need to be applied to the MCLR input.

MCP19124/5

FIGURE 1-4: MCP19125 WIRING DIAGRAM



2.0 MEMORY DESCRIPTION

2.1 Program Memory Map

The user memory space extends from 0x0000 to 0x1FFF. In Program/Verify mode, the program memory space extends from 0x0000 to 0x3FFF, with the first half (0x0000-0x1FFF) being user program memory and the second half (0x2000-0x3FFF) being configuration memory. The Program Counter (PC) will increment from 0x0000 to 0x1FFF and wrap to 0x0000. If the PC is between 0x2000 and 0x3FFF, it will wrap-around to 0x2000 (not to 0x0000). Once in configuration memory, the highest bit of the PC stays a '1', thus always pointing to the configuration memory. The only way to point to user program memory is to reset the part and re-enter Program/Verify mode as described in [Section 3.0 "Program/Verify Mode"](#).

For all of the devices covered in this document, the configuration memory space, 0x2000 to 0x208F, is physically implemented. However, only locations 0x2000 to 0x2003, 0x2007 and 0x2080 to 0x2089 are available. Other locations are reserved.

2.2 User ID Locations

A user may store identification information (user ID) in four designated locations. The user ID locations are mapped in 0x2000 to 0x2003. It is recommended that the user uses only the seven Least Significant bits (LSbs) of each user ID location. The user ID locations read out normally, even after code protection is enabled. It is recommended that ID locations are written as 'xx xxxx xxxb bbbb', where 'bbb bbbb' is the user ID information.

The 14 bits may be programmed, but only the seven LSbs are read and displayed by the MPLAB® Integrated Development Environment (IDE).

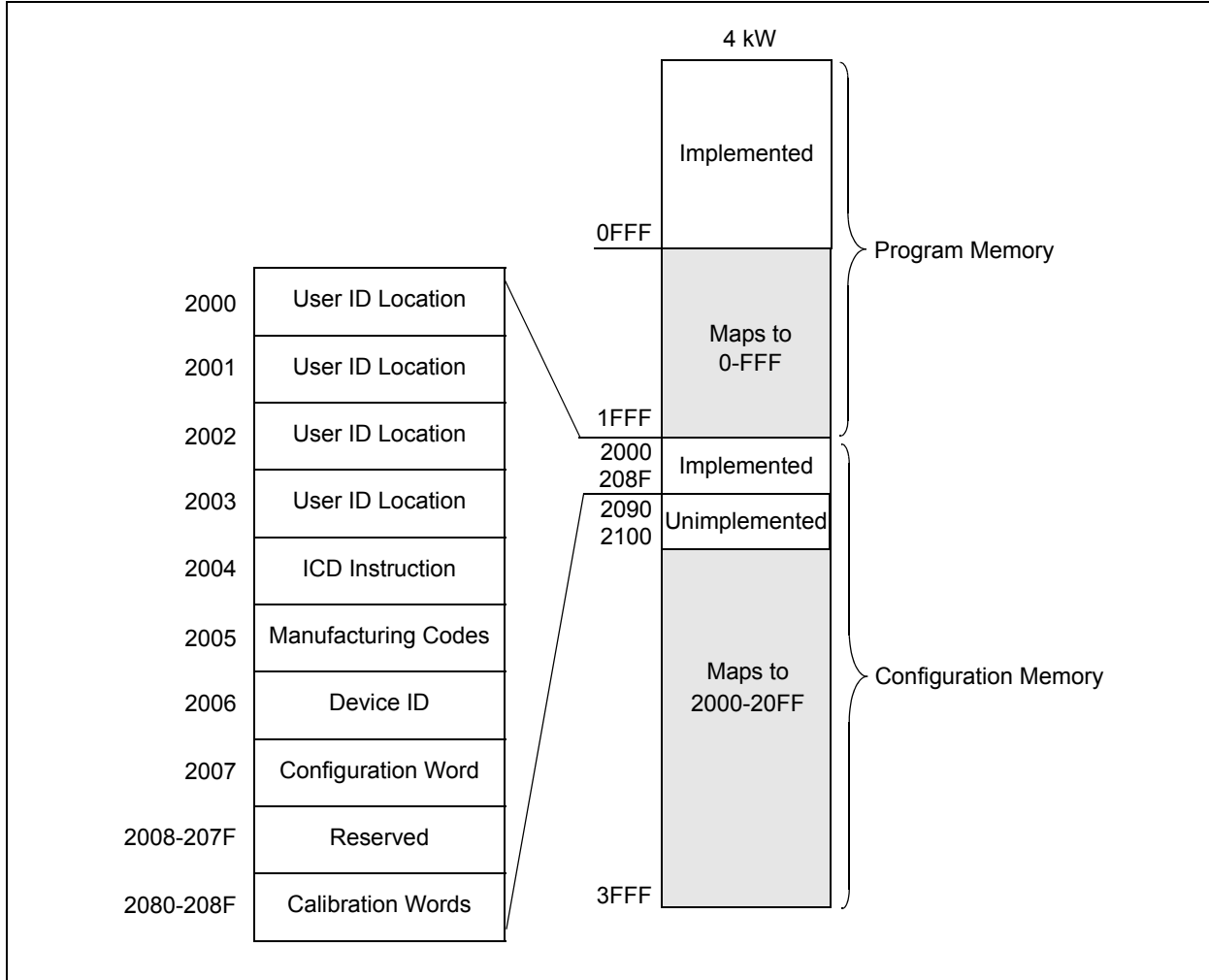
2.3 Calibration Word

For all of the devices covered in this document, Calibration Words are included to allow storing the trim values for various analog peripherals (i.e., INTOSC module) at final test. These values are stored in Calibration Words 0x2080, 0x2081, 0x2082, 0x2083, 0x2084, 0x2085, 0x2086, 0x2087, 0x2088, 0x2089, 0x208A, 0x208B and 0x208C. See the applicable device data sheet for more information.

The Calibration Words do not necessarily participate in the erase operation, unless a specific procedure is executed. Therefore, the device can be erased without affecting the Calibration Words. This simplifies the erase procedure, since these values do not need to be read and restored after the device is erased.

MCP19124/5

FIGURE 2-1: MCP19124 AND MCP19125 PROGRAM MEMORY MAPPING



3.0 PROGRAM/VERIFY MODE

Two methods are available to enter the Program/Verify mode. “TEST_EN-first” is entered by holding ICSPDAT and ICSPCLK low while raising the MCLR pin from V_{IL} to V_{IH} (high voltage), then applying V_{DD} and data. This method can be used for any Configuration Word selection and **must** be used if the internal MCLR option is selected (MCLRE = 0). The TEST_EN-first entry prevents the device from executing code prior to entering Program/Verify mode. See the timing diagram in Figure 3-1.

The second entry method, “ V_{DD} -first”, is entered by applying V_{DD} , holding ICSPDAT and ICSPCLK low, then raising MCLR pin from V_{IL} to V_{IH} (high voltage), followed by data. This method can be used for any Configuration Word selection, **except** when the internal MCLR option is selected (MCLRE = 0). This technique is useful when programming the device with V_{DD} already applied, for it is not necessary to disconnect the V_{DD} to enter the Program/Verify mode. See the timing diagram in Figure 3-2.

Once in Program/Verify mode, the program memory and configuration memory can be accessed and programmed in serial fashion. ICSPDAT and ICSPCLK are Schmitt Trigger inputs in this mode.

The sequence that enters the device into the Program/Verify mode places all other logic into the Reset state (the MCLR pin was initially at V_{IL}). Therefore, all I/Os are in the Reset state (high-impedance inputs) and the PC is cleared.

To prevent a device configured with internal MCLR from executing after exiting Program/Verify mode, V_{DD} needs to power-down before TEST_EN. See Figure 3-3 for the timing.

The MCP19124/5's V_{DD} is internally generated by applying voltage to the V_{IN} pin. See Table 6-1 for the appropriate range for V_{IN} . To remove V_{DD} , V_{IN} must be removed.

FIGURE 3-1: TEST_EN-FIRST PROGRAM/VERIFY MODE ENTRY

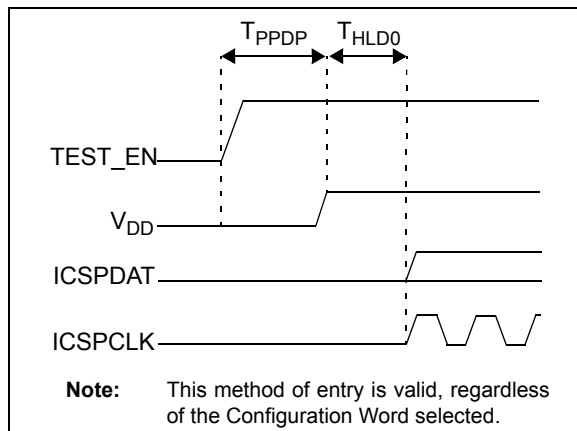


FIGURE 3-2: V_{DD} -FIRST PROGRAM/VERIFY MODE ENTRY

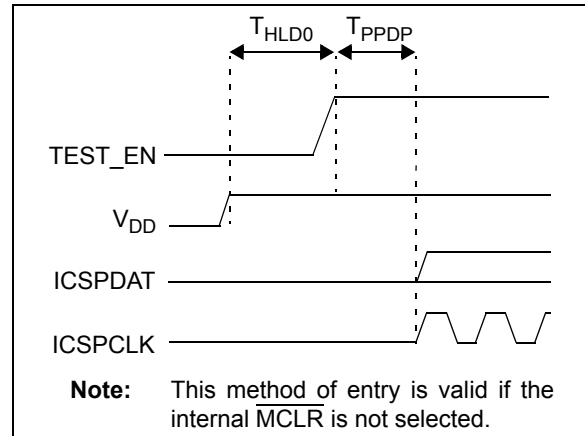
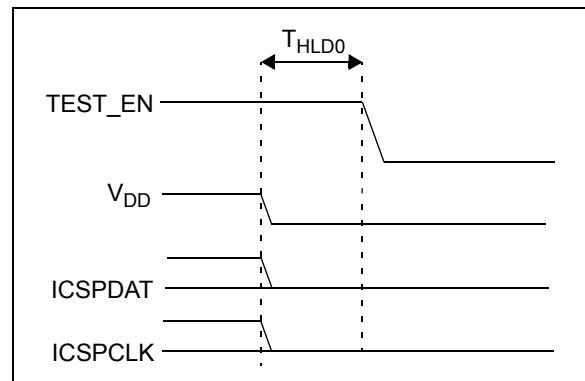


FIGURE 3-3: PROGRAM/VERIFY MODE EXIT



3.1 Program/Erase Algorithms

The MCP19124/5 program memory may be written in two ways. The fastest method writes four words at a time. However, one-word writes are also supported. The four-word algorithm is used to program the program memory only. The one-word algorithm can write any available memory location (i.e., program memory, configuration memory and calibration memory).

After writing the array, the PC may be reset and read back to verify the write. It is not possible to verify immediately following the write because the PC can only increment, not decrement.

A device Reset will clear the PC and set the address to '0'. The Increment Address command will increment the PC. The Load Configuration command will set the PC to 0x2000. The available commands are shown in Table 3-1.

MCP19124/5

3.1.1 FOUR-WORD PROGRAMMING

The MCP19124/5 program memory can be written four words at a time using the four-word algorithm. Configuration memory (addresses >0x2000) and non-aligned (addresses modulo 4 not equal to zero) starting addresses must use the one-word programming algorithm.

This algorithm writes four sequential addresses in program memory. The four addresses must point to a four-word block with address modulo 4 of 0, 1, 2 and 3. For example, programming address 4 through 7 can be programmed together. Programming addresses 2 through 5 will create an unexpected result.

The sequence for programming four words of program memory at a time is:

1. Load a word at the current program memory address using the Load Data For Program Memory command. This location must be address modulo 4 equal to 0.
2. Issue an Increment Address command to point to the next address in the block.
3. Load a word at the current program memory address using the Load Data For Program Memory command.
4. Issue an Increment Address command to point to the next address in the block.
5. Load a word at the current program memory address using the Load Data For Program Memory command.
6. Issue an Increment Address command to point to the next address in the book.
7. Load a word at the current program memory address using the Load Data For Program Memory command.
8. Issue a Begin Programming command externally timed.
9. Wait T_{PROG1} .
10. Issue End Programming.
11. Wait T_{DIS} .
12. Issue an Increment Address command to point to the start of the next block of addresses.
13. Repeat steps 1 through 12 as required to write the desired range of program memory.

See [Figure 3-12](#) for more information.

3.1.2 ERASE ALGORITHMS

The MCP19124/5 devices will erase different memory locations depending on the PC and CP. The following sequences can be used to erase noted memory locations. To erase the program memory and Configuration Word (0x2007), the following sequence must be performed. Note the Calibration Words (0x2080 to 0x208F) and user ID (0x2000-0x2003) **will not** be erased.

1. Do a Bulk Erase Program Memory command.
2. Wait T_{ERA} to complete erase.

To erase the user ID (0x2000-0x2003), Configuration Word (0x2007) and program memory, use the following sequence. Note that the Calibration Words (0x2080 to 0x208F) **will not** be erased.

1. Perform Load Configuration with dummy data to point the PC to 0x2000.
2. Perform a Bulk Erase Program Memory command.
3. Wait T_{ERA} to complete erase.

3.1.3 SERIAL PROGRAM/VERIFY OPERATION

The ICSPCLK pin is used as a clock input and the ICSPDAT pin is used for entering command bits and for data input/output during serial operation. To input a command, ICSPCLK is cycled six times. Each command bit is latched on the falling edge of the clock with the LSb of the command being input first. The data input onto the ICSPDAT pin is required to have a minimum setup and hold time (see [Table 6-1](#)), with respect to the falling edge of the clock. Commands that have data associated with them (Read and Load) are specified to have a minimum delay of 1 μ s between the command and the data. After this delay, the clock pin is cycled 16 times with the first cycle being a Start bit and the last cycle being a Stop bit.

During a read operation, the LSb will be transmitted onto the ICSPDAT pin on the rising edge of the second cycle. For a load operation, the LSb will be latched on the falling edge of the second cycle. A minimum 1 μ s delay is also specified between consecutive commands, except for the End Programming command, which requires a 100 μ s (T_{DIS}).

All commands and data words are transmitted LSb first. Data is transmitted on the rising edge and latched on the falling edge of the ICSPCLK. To allow decoding of commands and reversal of data pin configuration, a time separation of at least 1 μ s (T_{DLY1}) is required between a command and a data word.

The commands that are available are described in [Table 3-1](#).

TABLE 3-1: COMMAND MAPPING FOR MCP19124/5

Command	Mapping (MSb ... LSb)						Data
Load Configuration	x	x	0	0	0	0	0, data (14), 0
Load Data for Program Memory	x	x	0	0	1	0	0, data (14), 0
Read Data from Program Memory	x	x	0	1	0	0	0, data (14), 0
Increment Address	x	x	0	1	1	0	
Begin Programming	x	1	1	0	0	0	Externally Timed
End Programming	x	0	1	0	1	0	
Bulk Erase Program Memory	x	x	1	0	0	1	Internally Timed
Row Erase Program Memory	x	1	0	0	0	1	Internally Timed

3.1.3.1 Load Configuration

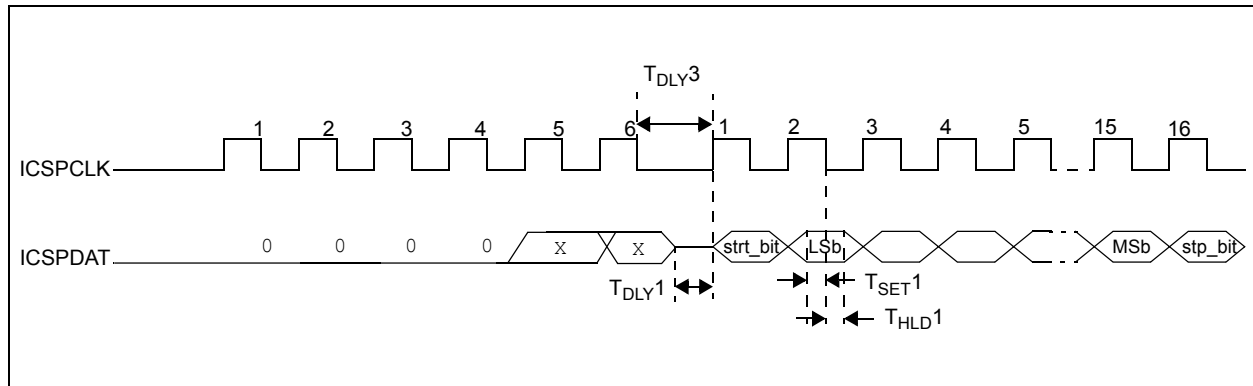
The Load Configuration command is used to access the Configuration Word (0x2007), user ID (0x2000-0x2003) and Calibration Words (0x2080 to 0x208F). This command sets the PC to address 0x2000 and loads the data latches with one word of data.

To access the configuration memory, send the Load Configuration command. Individual words within the configuration memory can be accessed by sending Increment Address commands and using load or read data for program memory.

After the 6-bit command is input, the ICSPCLK pin is cycled an additional 16 times for the Start bit, 14 bits of data and the Stop bit (see Figure 3-4).

After the configuration memory is entered, the only way to get back to the program memory is to exit the Program/Verify mode by taking MCLR low (V_{IL}).

FIGURE 3-4: LOAD CONFIGURATION COMMAND

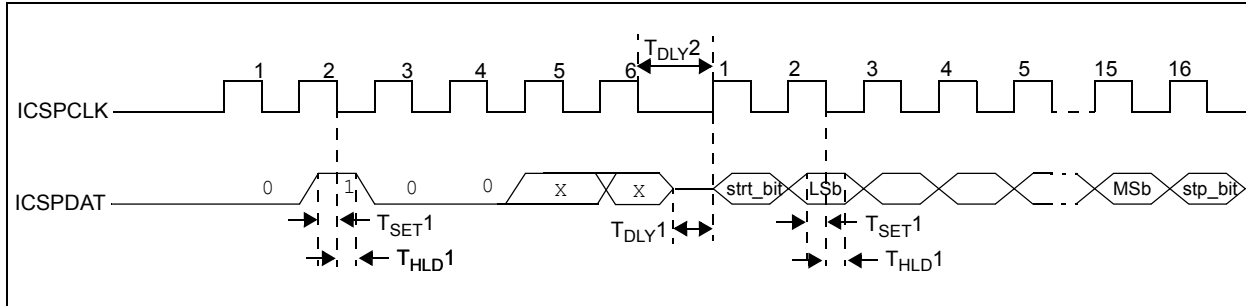


MCP19124/5

3.1.3.2 Load Data For Program Memory

After receiving this command, the chip will load in a 14-bit “data word” when 16 cycles are applied, as described in [Section 3.1.3.1 “Load Configuration”](#). A timing diagram of this command is shown in [Figure 3-5](#).

FIGURE 3-5: LOAD DATA FOR PROGRAM MEMORY COMMAND



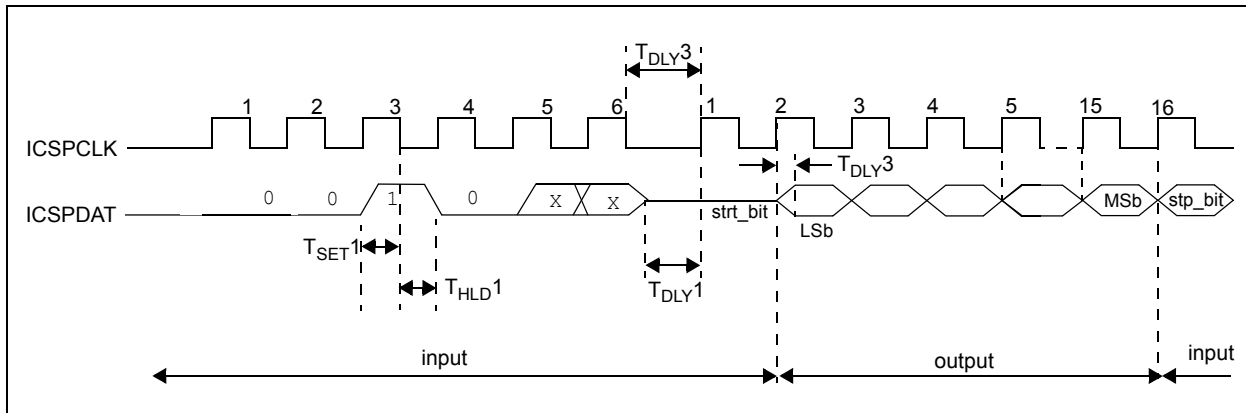
3.1.3.3 Read Data From Program Memory

After receiving this command, the chip will transmit data bits out of the program memory (user or configuration) currently accessed, starting with the second rising edge of the clock input. The data pin will go into Output mode on the second rising clock edge and it will revert to Input mode (high-impedance) after the 16th rising edge.

If the program memory is code-protected ($\overline{CP} = 0$), the data is read as zeros.

A timing diagram of this command is shown in [Figure 3-6](#).

FIGURE 3-6: READ DATA FROM PROGRAM MEMORY COMMAND

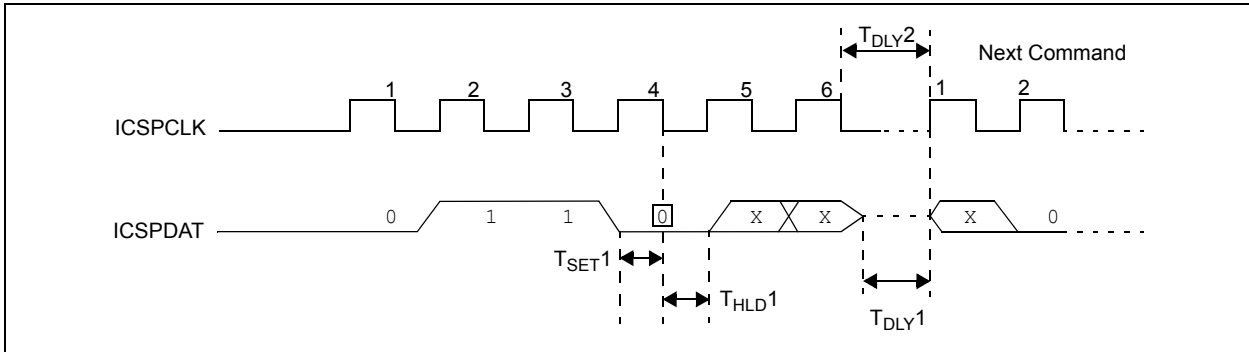


3.1.3.4 Increment Address

The PC is incremented when this command is received. A timing diagram of this command is shown in Figure 3-7. Incrementing past 0x07FF in program memory rolls the program counter to '0'. Incrementing past 203Fh in test memory returns the Program Counter to 2000h.

It is not possible to decrement the address counter. To reset this counter, the user should exit and reenter Program/Verify mode.

FIGURE 3-7: INCREMENT ADDRESS COMMAND (PROGRAM/VERIFY)

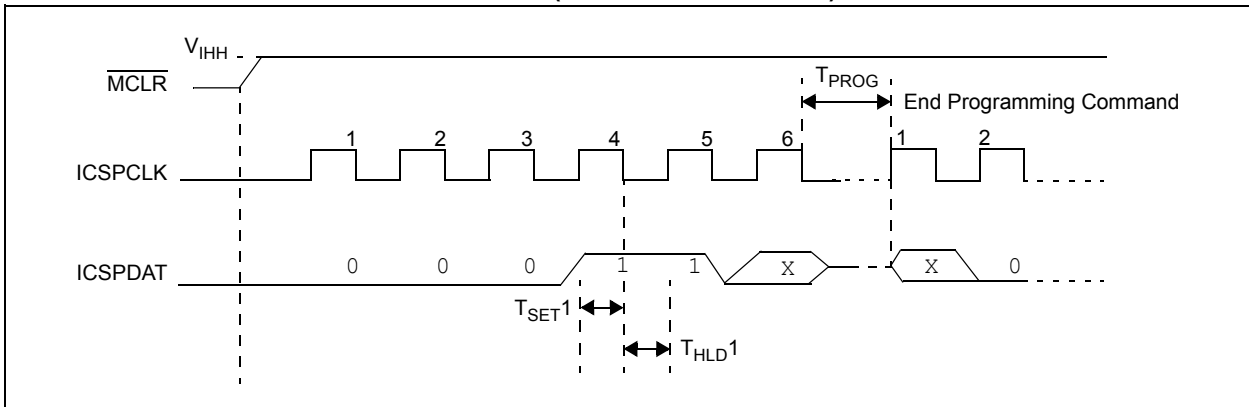


3.1.3.5 Begin Programming (Externally Timed)

A Load command must be given before every Begin Programming command. Programming of the appropriate memory (program memory, configuration or calibration memory) will begin after this command is received and decoded. Programming requires (T_{PROG}) time and is terminated using an End Programming command. A timing diagram for this command is shown in Figure 3-8.

The addressed locations are not erased before programming.

FIGURE 3-8: BEGIN PROGRAMMING (EXTERNALLY TIMED)

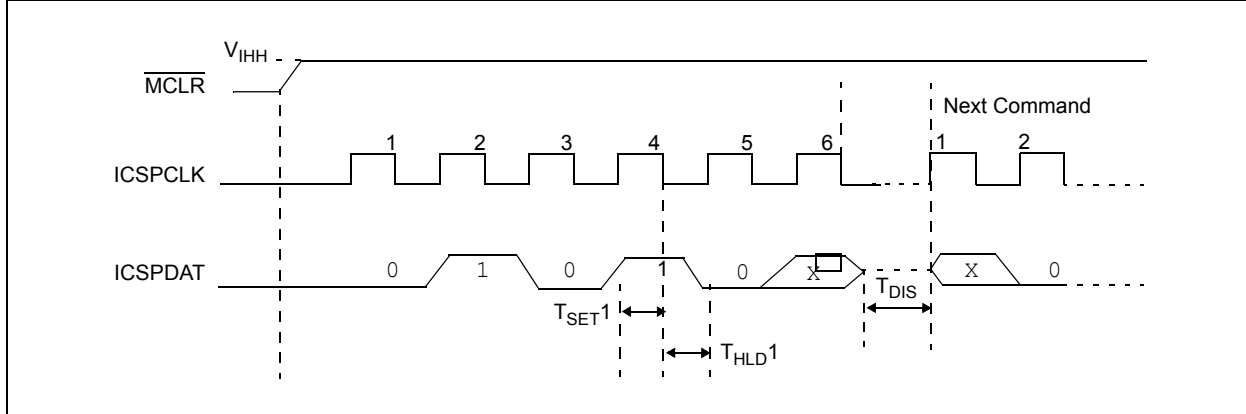


MCP19124/5

3.1.3.6 End Programming

After this command is performed, the write procedure will stop. A timing diagram of this command is shown in [Figure 3-9](#).

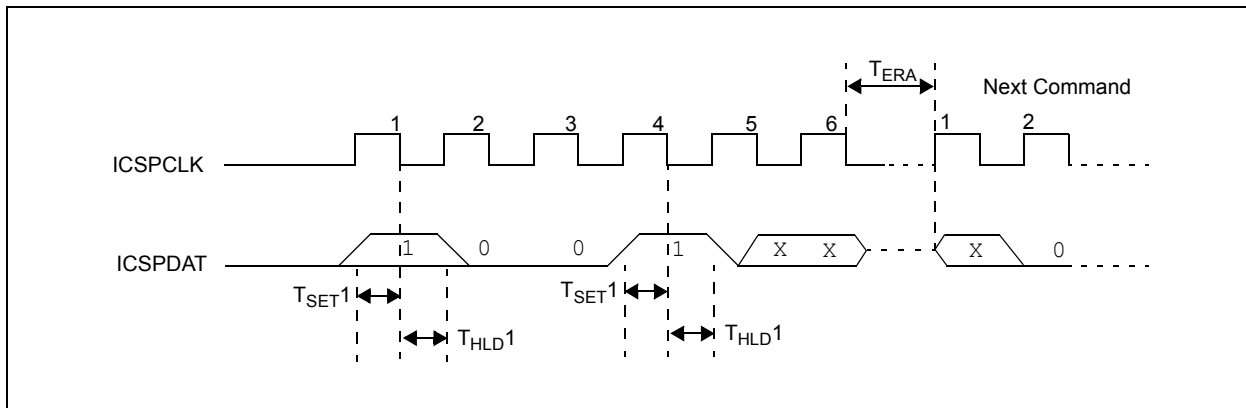
FIGURE 3-9: END PROGRAMMING (SERIAL PROGRAM/VERIFY)



3.1.3.7 Bulk Erase Program Memory

After this command is performed, the entire program memory and Configuration Word (0x2007) are erased. The user ID and calibration memory may also be erased, depending on the value of the PC. See [Section 3.1.2 "Erase Algorithms"](#) for erase sequences. A timing diagram for this command is shown in [Figure 3-10](#).

FIGURE 3-10: BULK ERASE PROGRAM MEMORY COMMAND



3.1.3.8 Row Erase Program Memory

This command erases the 16-word row of program memory pointed to by PC<11:4>. If the program memory array is protected ($\overline{CP} = 0$) or the PC points to the configuration memory (>0x2000), the command is ignored.

To perform a Row Erase Program Memory command, the following sequence must be performed.

1. Execute a Row Erase Program Memory command.
2. Wait T_{ERA} to complete a row erase.

FIGURE 3-11: ROW ERASE PROGRAM MEMORY COMMAND

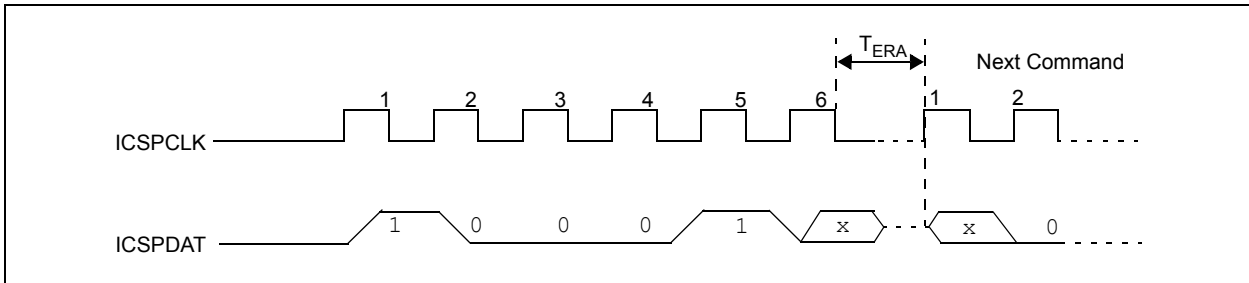
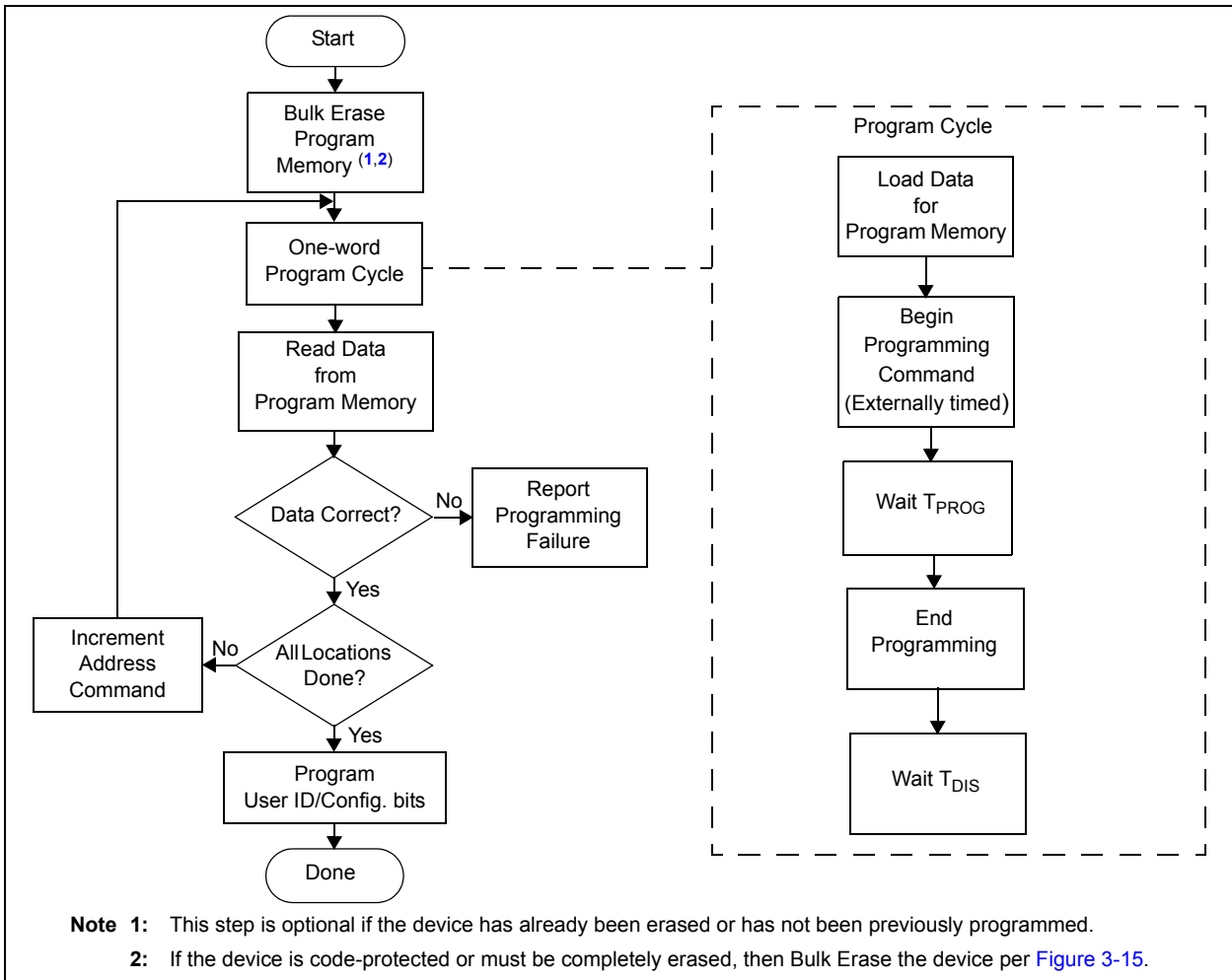


FIGURE 3-12: ONE-WORD PROGRAMMING FLOWCHART



MCP19124/5

FIGURE 3-13: FOUR-WORD PROGRAMMING FLOWCHART

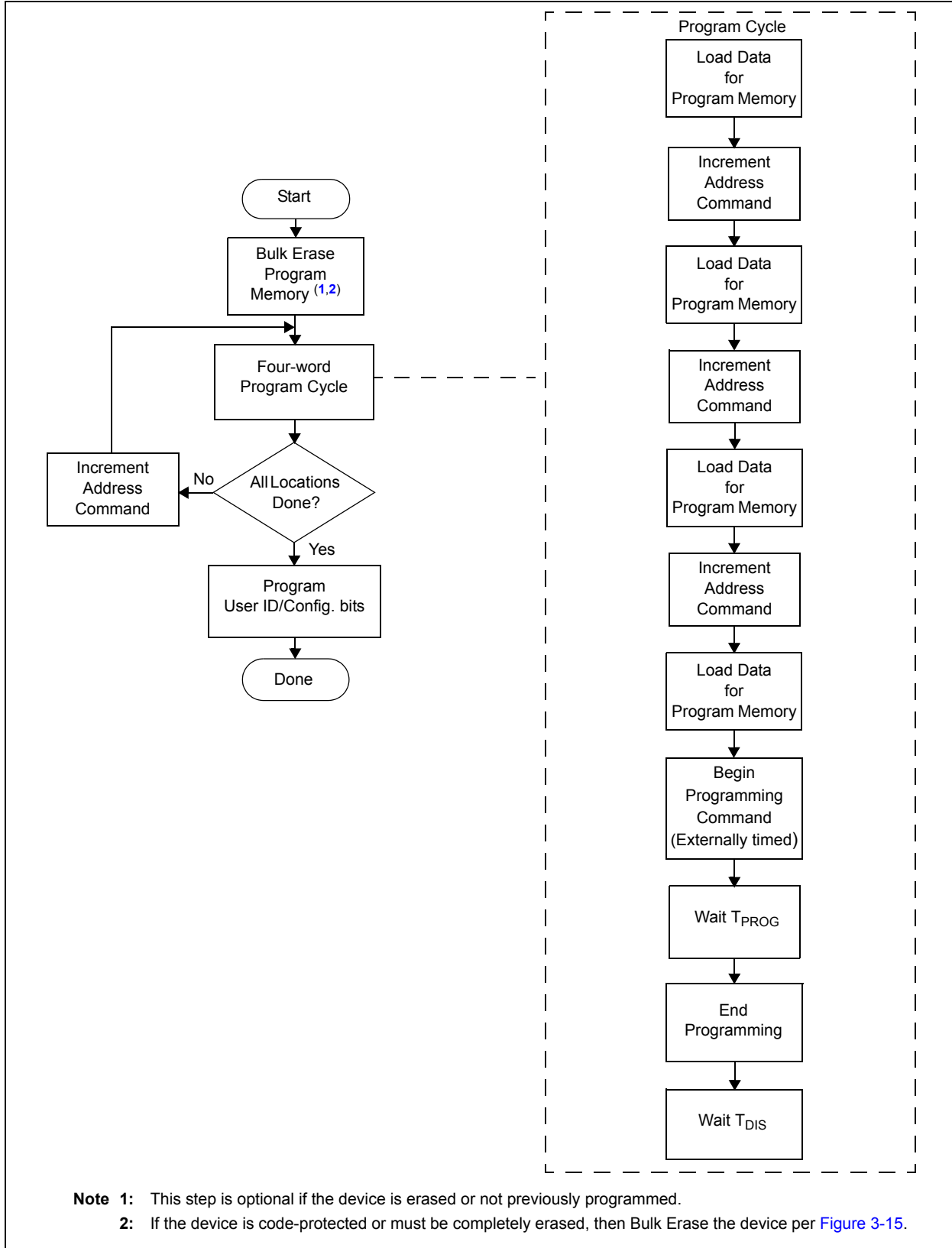


FIGURE 3-14: PROGRAM FLOWCHART – CONFIGURATION MEMORY

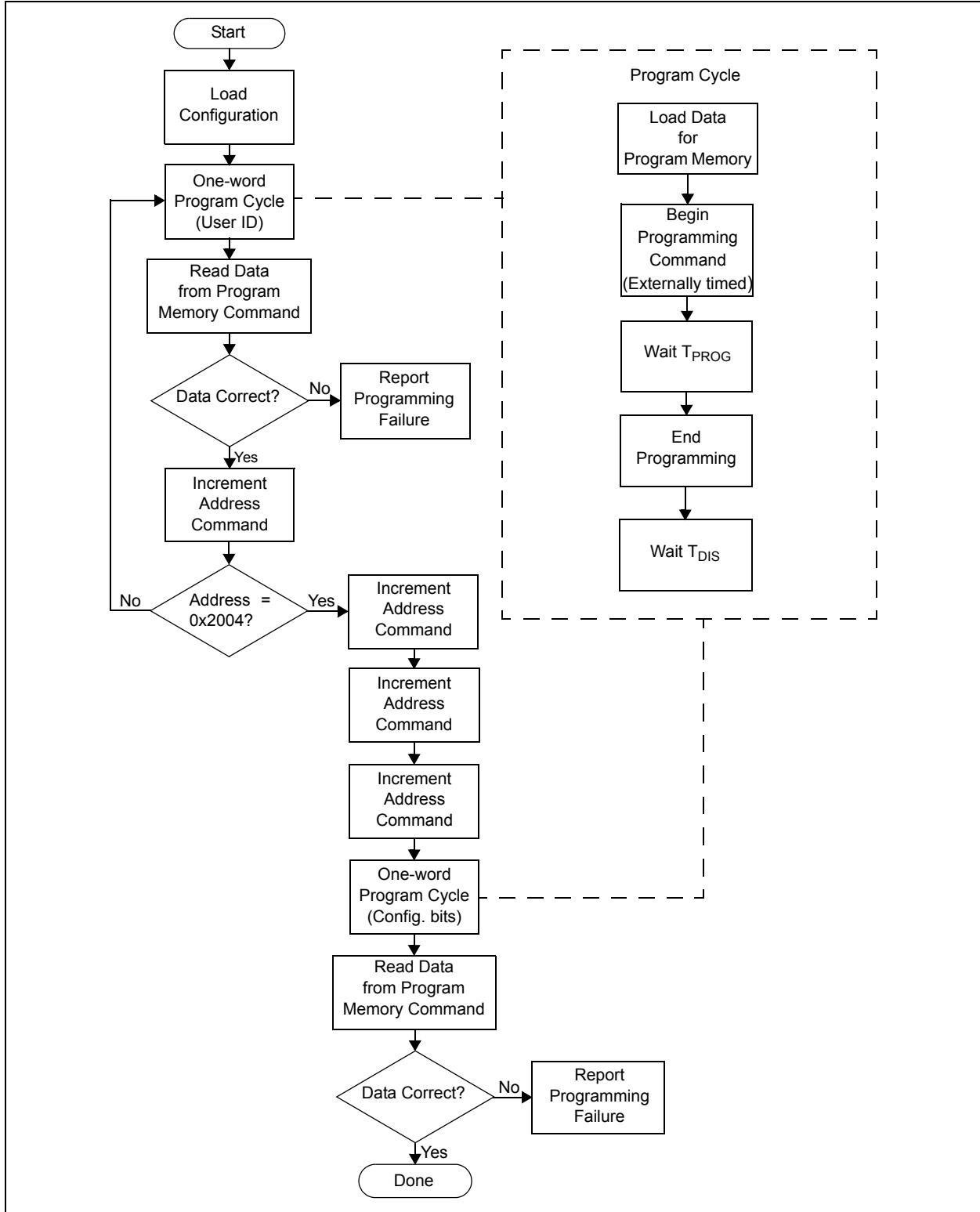
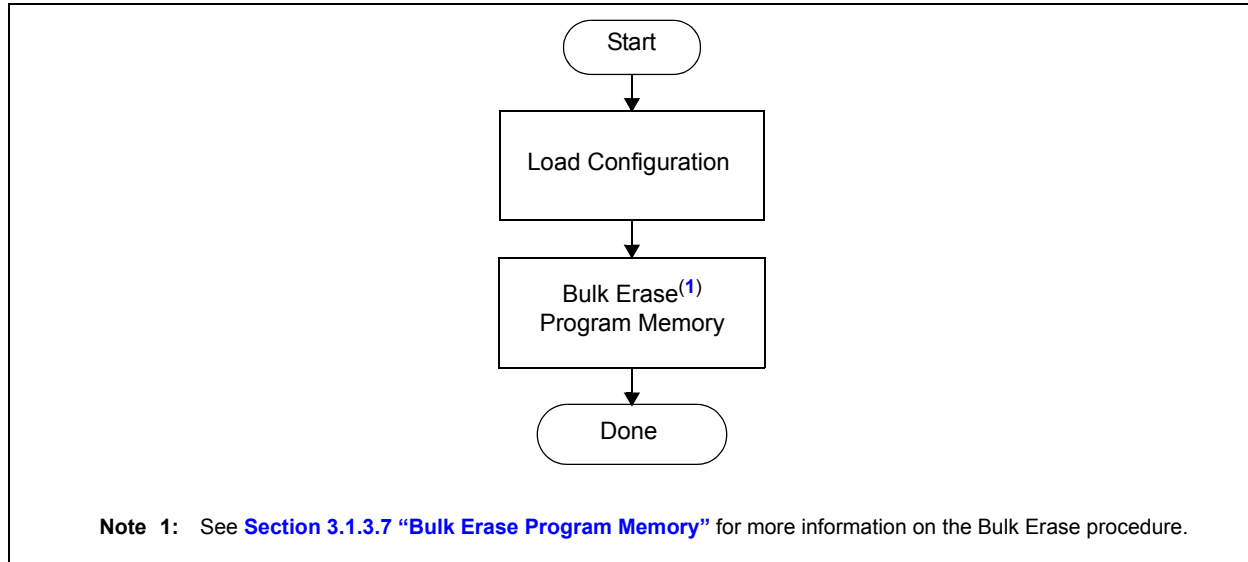


FIGURE 3-15: PROGRAM FLOWCHART – ERASE FLASH DEVICES



4.0 CONFIGURATION WORD

The MCP19124/5 devices have several Configuration bits. These bits can be programmed (reads '0') or left unchanged (reads '1'), to select various device configurations.

REGISTER 4-1: CONFIG: CONFIGURATION WORD (ADDRESS: 2007h)

R/P-1	U-1	R/P-1	R/P-1	U-1	R/P-1	U-1
$\overline{\text{DBGEN}}$	—	WRT1	WRT0	—	BOREN	—
bit 13						

R/P-1	R/P-1	R/P-1	R/P-1	U-1	U-1	U-1
$\overline{\text{CP}}$	MCLRE	$\overline{\text{PWRT\!E}}$	WDTE	—	—	—
bit 6						

Legend:	x = Bit is unknown	P = Programmable bit
R = Readable bit	W = Writable bit	U = Unimplemented bit, read as '0'
-n = Value at POR	'1' = Bit is set	'0' = Bit is cleared

- bit 13 **$\overline{\text{DBGEN}}$** : ICD Debug bit
1 = ICD Debug mode disabled
0 = ICD Debug mode enabled
- bit 12 **Unimplemented**: Read as '1'
- bit 11-10 **WRT<1:0>**: Flash Program Memory Self-Write Enable bit
11 = Write protection off
10 = 000h to 3FFh write-protected, 400h to FFFh may be modified by PMCON1 control
01 = 000h to 7FFh write-protected, 800h to FFFh may be modified by PMCON1 control
01 = 000h to FFFh write-protected, entire program memory is write-protected
- bit 9 **Unimplemented**: Read as '1'
- bit 8 **BOREN**: Brown-out Reset Enable bits
1 = BOR disabled during Sleep and enabled during operation
0 = BOR disabled
- bit 7 **Unimplemented**: Read as '1'
- bit 6 **$\overline{\text{CP}}$** : Code Protection bit
1 = Program memory is not code-protected
0 = Program memory is external read and write-protected
- bit 5 **MCLRE**: $\overline{\text{MCLR}}$ Pin Function Select bit
1 = MCLR pin is MCLR function and weak internal pull-up is enabled
0 = MCLR pin is alternate function, MCLR function is internally disabled
- bit 4 **PWRT $\!E$** : Power-up Timer Enable bit⁽¹⁾
1 = PWRT disabled
0 = PWRT enabled
- bit 3 **WDTE**: Watchdog Timer Enable bit
1 = WDT enabled
0 = WDT disabled
- bit 2-0 **Unimplemented**: Read as '1'

Note 1: Bit is reserved and not controlled by user.

MCP19124/5

4.1 Device ID Word

The device ID word for the MCP19124/5 is loaded at 2006h. This location cannot be erased.

TABLE 4-2: DEVICE ID VALUES

Device	Device ID Values	
	Dev	Rev
MCP19124	10 1110 110	0 0101
MCP19125	10 1110 111	0 0101

5.0 CODE PROTECTION

For MCP19124/5, once the \overline{CP} bit is programmed to '0', all program memory locations read all '0's. The user ID locations and the Configuration Word read out in an unprotected fashion. Further programming is disabled for the entire program memory.

The user ID locations and the Configuration Word can be programmed regardless of the state of the \overline{CP} bit.

5.1 Disabling Code Protection

It is recommended to use the procedure in [Figure 3-15](#) to disable code protection of the device. This sequence will erase the program memory, Configuration Word (0x2007) and user ID locations (0x2000-0x2003). The Calibration Words (0x2080 to 0x2083) **will not** be erased.

5.2 Embedding Configuration Word and User ID Information in the Hex File

To allow portability of code, the programmer is required to read the Configuration Word and user ID locations from the hex file when loading it. If Configuration Word information was not present in the hex file, a simple warning message may be issued. Similarly, while saving a hex file, Configuration Word and user ID information must be included. An option to not include this information may be provided.

Microchip Technology Inc. feels strongly that this feature is important for the benefit of the end customer.

5.3 Checksum Computation

The checksum is calculated by two different methods dependent on the setting of the \overline{CP} Configuration bit.

5.3.1 PROGRAM CODE PROTECTION DISABLED

With the program code protection disabled, the checksum is computed by reading the contents of the program memory locations and adding up the program memory data starting at address 0x0000h, up to the maximum user addressable location. Any Carry bit exceeding 16 bits is ignored. Additionally, the relevant bits of the Configuration Words are added to the checksum. All unimplemented Configuration bits are masked to '0'.

EXAMPLE 5-1: CHECKSUM COMPUTED WITH PROGRAM CODE PROTECTION DISABLED (CP = 1), MCP19124 AND MCP19125 BLANK DEVICES

Sum of Memory addresses 000h-0FFFh	F000h ¹
Configuration Word	3FFFh ²
Configuration Word mask	2D78h ³
Checksum = F000h + (3FFFh and 2D78h) ⁴	
= F000h + 2D78h	
= 1D78h	

Note 1: This value is obtained by taking the total number of program memory locations (0x000h to 0x0FFFh, which is 0x1000h) and multiplying it by the blank memory value of 0x3FFF to get the sum of 3FF F000h. Then truncate to 16 bits, thus having a final value of F000h.

2: This value is obtained by making all bits of the Configuration Word a '1', then converting it to hex, thus having a value of 3FFFh.

3: This value is obtained by making all used bits of the Configuration Word a '1', then converting it to hex, thus having a value of 2D78h.

4: This value is obtained by ANDing the Configuration Word value with the Configuration Word Mask value and adding it to the sum of memory addresses (3FFFh and 2D78) + F000h = 11C78h. Then truncate to 16 bits, thus having a final value of 1D78h.

MCP19124/5

5.3.2 PROGRAM CODE PROTECTION ENABLED

With the program code protection enabled, the checksum is computed in the following manner. The Least Significant nibble of each user ID is used to create a 16-bit value. The masked value of user ID location 2000h is the Most Significant nibble. This sum of user IDs is summed with the Configuration Word (all unimplemented Configuration bits are masked to '0').

EXAMPLE 5-2: CHECKSUM COMPUTED WITH PROGRAM CODE PROTECTION ENABLED (CP = 0), MCP19124 AND MCP19125 BLANK DEVICES

Configuration Word	3FBFh ⁽¹⁾
Configuration Word mask	2D38h ⁽²⁾
User ID (2000h)	0006h ⁽³⁾
User ID (2001h)	0007h ⁽³⁾
User ID (2002h)	0001h ⁽³⁾
User ID (2003h)	0002h ⁽³⁾
Sum of User IDs = (0006h and 000Fh) << 12 + (0007h and 000Fh) << 8 + (0001h and 000Fh) << 4 + (0002h and 000Fh) ⁽⁴⁾	
	= 6000h + 0700h + 0010h + 0002h
	= 6712h
Checksum = (3FBFh and 2D38h) + Sum of User IDs ⁽⁵⁾	
	= 2D38h + 6712h
	= 944Ah

Note 1: This value is obtained by making all bits of the Configuration Word a '1', but the code protection bit is '0' (thus, enabled), then converting it to a hex, thus having a value of 3FBFh.

2: This value is obtained by making all used bits of the Configuration Word a '1', but the code protection bit is '0' (thus, enabled), then converting to hex, thus having a value of 2D38h.

3: These values are picked at random for this example; they could be any 16-bit value.

4: In order to calculate the sum of user IDs, take the 16-bit value of the first user ID location (0006h), AND the address to (000Fh), thus masking the MSB. This gives you the value 0006h, then shift left 12 bits, giving you 6000h. Do the same procedure for the 16-bit value of the second user ID location (0007h), except shift left eight bits. Also do the same for the third user ID location (0001h), except shift left four bits. For the fourth user ID location, do not shift. Finally, add up all four user ID values to get the final sum of user IDs of 6712h.

5: This value is obtained by ANDing the Configuration Word value with the Configuration Mask value and adding it to the sum of user IDs: (3FBFh and 2D38h) + (6712h) = 944Ah.

6.0 PROGRAM/VERIFY MODE ELECTRICAL CHARACTERISTICS

TABLE 6-1: AC/DC CHARACTERISTICS TIMING REQUIREMENTS FOR PROGRAM/VERIFY MODE

AC/DC CHARACTERISTICS		Standard Operating Conditions (unless otherwise stated) Operating Temperature $-40^{\circ}\text{C} \leq T_A \leq +85^{\circ}\text{C}$ Operating Voltage $4.5\text{V} \leq V_{DD} \leq 5.5\text{V}$				
Sym.	Characteristics	Min.	Typ.	Max.	Units	Conditions/Comments
General						
V_{IN}	V_{IN} level for read/write operations, program and data memory	4.5	—	42	V	
	V_{IN} level for Bulk Erase operations, program and data memory	4.5	—	42	V	
V_{IHH}	High voltage on $\overline{\text{MCLR}}$ for Program/Verify mode entry	$V_{DD} + 3.5$	—	13	V	V_{DD} regulated internally to 5V
I_{IHH}	$\overline{\text{MCLR}}$ current during programming	—	300	1000	μA	
T_{VHHR}	$\overline{\text{MCLR}}$ rise time (V_{SS} to V_{HH}) for Program/Verify mode entry	—	—	1.0	μs	
T_{PPDP}	Hold time after TEST_EN changes	5	—	—	μs	
V_{IH1}	(ICSPCLK, ICSPDAT) input high level	$0.8 V_{DD}$	—	—	V	Schmitt Trigger input
V_{IL1}	(ICSPCLK, ICSPDAT) input low level	$0.2 V_{DD}$	—	—	V	Schmitt Trigger input
T_{SET0}	ICSPCLK, ICSPDAT setup time before $\overline{\text{MCLR}}\uparrow$ (Program/Verify mode selection pattern setup time)	100	—	—	ns	
T_{HLD0}	Hold time after V_{DD} changes	5	—	—	μs	
Serial Program/Verify						
T_{SET1}	Data in setup time before clock \downarrow	100	—	—	ns	
T_{HLD1}	Data in hold time after clock \downarrow	100	—	—	ns	
T_{DLY1}	Data input not driven to next clock input (delay required between command/data or command/command)	1.0	—	—	μs	
T_{DLY2}	Delay between clock \downarrow to clock \uparrow of next command or data	1.0	—	—	μs	
T_{DLY3}	Clock \downarrow to data out valid (during a Read Data command)	—	—	80	ns	
T_{ERA}	Erase cycle time	—	5	6	ms	
T_{PROG}	Programming cycle time	3	—	—	ms	$+10^{\circ}\text{C} \leq T_A \leq +40^{\circ}\text{C}$
T_{DIS}	Time delay from program to compare (HV discharge time)	100	—	—	μs	

MCP19124/5

NOTES:

APPENDIX A: REVISION HISTORY

Revision A (September 2016)

- Original Release of this Document.

MCP19124/5

NOTES:

Note the following details of the code protection feature on Microchip devices:

- Microchip products meet the specification contained in their particular Microchip Data Sheet.
- Microchip believes that its family of products is one of the most secure families of its kind on the market today, when used in the intended manner and under normal conditions.
- There are dishonest and possibly illegal methods used to breach the code protection feature. All of these methods, to our knowledge, require using the Microchip products in a manner outside the operating specifications contained in Microchip's Data Sheets. Most likely, the person doing so is engaged in theft of intellectual property.
- Microchip is willing to work with the customer who is concerned about the integrity of their code.
- Neither Microchip nor any other semiconductor manufacturer can guarantee the security of their code. Code protection does not mean that we are guaranteeing the product as “unbreakable.”

Code protection is constantly evolving. We at Microchip are committed to continuously improving the code protection features of our products. Attempts to break Microchip's code protection feature may be a violation of the Digital Millennium Copyright Act. If such acts allow unauthorized access to your software or other copyrighted work, you may have a right to sue for relief under that Act.

Information contained in this publication regarding device applications and the like is provided only for your convenience and may be superseded by updates. It is your responsibility to ensure that your application meets with your specifications. MICROCHIP MAKES NO REPRESENTATIONS OR WARRANTIES OF ANY KIND WHETHER EXPRESS OR IMPLIED, WRITTEN OR ORAL, STATUTORY OR OTHERWISE, RELATED TO THE INFORMATION, INCLUDING BUT NOT LIMITED TO ITS CONDITION, QUALITY, PERFORMANCE, MERCHANTABILITY OR FITNESS FOR PURPOSE. Microchip disclaims all liability arising from this information and its use. Use of Microchip devices in life support and/or safety applications is entirely at the buyer's risk, and the buyer agrees to defend, indemnify and hold harmless Microchip from any and all damages, claims, suits, or expenses resulting from such use. No licenses are conveyed, implicitly or otherwise, under any Microchip intellectual property rights unless otherwise stated.

Microchip received ISO/TS-16949:2009 certification for its worldwide headquarters, design and wafer fabrication facilities in Chandler and Tempe, Arizona; Gresham, Oregon and design centers in California and India. The Company's quality system processes and procedures are for its PIC® MCUs and dsPIC® DSCs, KEELOQ® code hopping devices, Serial EEPROMs, microperipherals, nonvolatile memory and analog products. In addition, Microchip's quality system for the design and manufacture of development systems is ISO 9001:2000 certified.

**QUALITY MANAGEMENT SYSTEM
CERTIFIED BY DNV
= ISO/TS 16949 =**

Trademarks

The Microchip name and logo, the Microchip logo, AnyRate, dsPIC, FlashFlex, flexPWR, Heldo, JukeBlox, KeeLoq, KeeLoq logo, Klear, LANCheck, LINK MD, MediaLB, MOST, MOST logo, MPLAB, OptoLyzer, PIC, PICSTART, PIC32 logo, RightTouch, SpyNIC, SST, SST Logo, SuperFlash and UNI/O are registered trademarks of Microchip Technology Incorporated in the U.S.A. and other countries.

ClockWorks, The Embedded Control Solutions Company, ETHERSYNCH, Hyper Speed Control, HyperLight Load, IntelliMOS, mTouch, Precision Edge, and QUIET-WIRE are registered trademarks of Microchip Technology Incorporated in the U.S.A.

Analog-for-the-Digital Age, Any Capacitor, AnyIn, AnyOut, BodyCom, chipKIT, chipKIT logo, CodeGuard, dsPICDEM, dsPICDEM.net, Dynamic Average Matching, DAM, ECAN, EtherGREEN, In-Circuit Serial Programming, ICSP, Inter-Chip Connectivity, JitterBlocker, KlearNet, KlearNet logo, MiWi, motorBench, MPASM, MPF, MPLAB Certified logo, MPLIB, MPLINK, MultiTRAK, NetDetach, Omniscient Code Generation, PICDEM, PICDEM.net, PICkit, PICtail, PureSilicon, RightTouch logo, REAL ICE, Ripple Blocker, Serial Quad I/O, SQL, SuperSwitcher, SuperSwitcher II, Total Endurance, TSHARC, USBCheck, VariSense, ViewSpan, WiperLock, Wireless DNA, and ZENA are trademarks of Microchip Technology Incorporated in the U.S.A. and other countries.

SQTP is a service mark of Microchip Technology Incorporated in the U.S.A.

Silicon Storage Technology is a registered trademark of Microchip Technology Inc. in other countries.

GestIC is a registered trademarks of Microchip Technology Germany II GmbH & Co. KG, a subsidiary of Microchip Technology Inc., in other countries.

All other trademarks mentioned herein are property of their respective companies.

© 2016, Microchip Technology Incorporated, Printed in the U.S.A., All Rights Reserved.

ISBN: 978-1-5224-0957-1



MICROCHIP

Worldwide Sales and Service

AMERICAS

Corporate Office

2355 West Chandler Blvd.
Chandler, AZ 85224-6199

Tel: 480-792-7200

Fax: 480-792-7277

Technical Support:

[http://www.microchip.com/
support](http://www.microchip.com/support)

Web Address:

www.microchip.com

Atlanta

Duluth, GA

Tel: 678-957-9614

Fax: 678-957-1455

Austin, TX

Tel: 512-257-3370

Boston

Westborough, MA

Tel: 774-760-0087

Fax: 774-760-0088

Chicago

Itasca, IL

Tel: 630-285-0071

Fax: 630-285-0075

Cleveland

Independence, OH

Tel: 216-447-0464

Fax: 216-447-0643

Dallas

Addison, TX

Tel: 972-818-7423

Fax: 972-818-2924

Detroit

Novi, MI

Tel: 248-848-4000

Houston, TX

Tel: 281-894-5983

Indianapolis

Noblesville, IN

Tel: 317-773-8323

Fax: 317-773-5453

Los Angeles

Mission Viejo, CA

Tel: 949-462-9523

Fax: 949-462-9608

New York, NY

Tel: 631-435-6000

San Jose, CA

Tel: 408-735-9110

Canada - Toronto

Tel: 905-695-1980

Fax: 905-695-2078

ASIA/PACIFIC

Asia Pacific Office

Suites 3707-14, 37th Floor
Tower 6, The Gateway
Harbour City, Kowloon

Hong Kong

Tel: 852-2943-5100

Fax: 852-2401-3431

Australia - Sydney

Tel: 61-2-9868-6733

Fax: 61-2-9868-6755

China - Beijing

Tel: 86-10-8569-7000

Fax: 86-10-8528-2104

China - Chengdu

Tel: 86-28-8665-5511

Fax: 86-28-8665-7889

China - Chongqing

Tel: 86-23-8980-9588

Fax: 86-23-8980-9500

China - Dongguan

Tel: 86-769-8702-9880

China - Guangzhou

Tel: 86-20-8755-8029

China - Hangzhou

Tel: 86-571-8792-8115

Fax: 86-571-8792-8116

China - Hong Kong SAR

Tel: 852-2943-5100

Fax: 852-2401-3431

China - Nanjing

Tel: 86-25-8473-2460

Fax: 86-25-8473-2470

China - Qingdao

Tel: 86-532-8502-7355

Fax: 86-532-8502-7205

China - Shanghai

Tel: 86-21-5407-5533

Fax: 86-21-5407-5066

China - Shenyang

Tel: 86-24-2334-2829

Fax: 86-24-2334-2393

China - Shenzhen

Tel: 86-755-8864-2200

Fax: 86-755-8203-1760

China - Wuhan

Tel: 86-27-5980-5300

Fax: 86-27-5980-5118

China - Xian

Tel: 86-29-8833-7252

Fax: 86-29-8833-7256

ASIA/PACIFIC

China - Xiamen

Tel: 86-592-2388138

Fax: 86-592-2388130

China - Zhuhai

Tel: 86-756-3210040

Fax: 86-756-3210049

India - Bangalore

Tel: 91-80-3090-4444

Fax: 91-80-3090-4123

India - New Delhi

Tel: 91-11-4160-8631

Fax: 91-11-4160-8632

India - Pune

Tel: 91-20-3019-1500

Japan - Osaka

Tel: 81-6-6152-7160

Fax: 81-6-6152-9310

Japan - Tokyo

Tel: 81-3-6880-3770

Fax: 81-3-6880-3771

Korea - Daegu

Tel: 82-53-744-4301

Fax: 82-53-744-4302

Korea - Seoul

Tel: 82-2-554-7200

Fax: 82-2-558-5932 or

82-2-558-5934

Malaysia - Kuala Lumpur

Tel: 60-3-6201-9857

Fax: 60-3-6201-9859

Malaysia - Penang

Tel: 60-4-227-8870

Fax: 60-4-227-4068

Philippines - Manila

Tel: 63-2-634-9065

Fax: 63-2-634-9069

Singapore

Tel: 65-6334-8870

Fax: 65-6334-8850

Taiwan - Hsin Chu

Tel: 886-3-5778-366

Fax: 886-3-5770-955

Taiwan - Kaohsiung

Tel: 886-7-213-7828

Taiwan - Taipei

Tel: 886-2-2508-8600

Fax: 886-2-2508-0102

Thailand - Bangkok

Tel: 66-2-694-1351

Fax: 66-2-694-1350

EUROPE

Austria - Wels

Tel: 43-7242-2244-39

Fax: 43-7242-2244-393

Denmark - Copenhagen

Tel: 45-4450-2828

Fax: 45-4485-2829

France - Paris

Tel: 33-1-69-53-63-20

Fax: 33-1-69-30-90-79

Germany - Dusseldorf

Tel: 49-2129-3766400

Germany - Karlsruhe

Tel: 49-721-625370

Germany - Munich

Tel: 49-89-627-144-0

Fax: 49-89-627-144-44

Italy - Milan

Tel: 39-0331-742611

Fax: 39-0331-466781

Italy - Venice

Tel: 39-049-7625286

Netherlands - Drunen

Tel: 31-416-690399

Fax: 31-416-690340

Poland - Warsaw

Tel: 48-22-3325737

Spain - Madrid

Tel: 34-91-708-08-90

Fax: 34-91-708-08-91

Sweden - Stockholm

Tel: 46-8-5090-4654

UK - Wokingham

Tel: 44-118-921-5800

Fax: 44-118-921-5820

06/23/16