

---

---

**Single Port Outdoor Midspan User Guide**

---

---

---

**Introduction**

---

Microchip's PD-9001GCO, PD-9501GCO, and PD-9601GCO is a single-port IEEE® 802.3bt Gigabit PoE outdoor midspan that offers a cost-effective, IEEE® 802.3at/bt compliant solution that guarantees 30W/60W/90W of power, and ensures safe and reliable operation in outdoor environments for standard PoE data terminal. These midspans support 10/100/1000 Mbps data rates and are powered through a wide range of AC inputs (100 V<sub>AC</sub> to 240 V<sub>AC</sub>). These midspans are IP67-rated and have an extended temperature range to be installed outdoors. In a typical installation, the midspans provide power to outdoor devices such as WLAN AP, WLAN Mesh, or an IP Camera.

These units offers surge protection for both the AC and the PoE ports ensuring that the indoor equipment is protected from outdoor surges.

PoE midspan powers devices that are PoE enabled or equipped to receive PoE. These devices are called Powered Devices (PDs).

**Note:** This user guide contains installation information for the PD-9001GCO, PD-9501GCO, and PD-9601GCO PoE midspan units. These units are referred to as PD-9x01GCO PoE midspan units in the following section of this document.

---

**Features**

---

PoE Midspans offer the following key features:

- Outdoor Rated: IP67
- Extended Temperature Range
- Supports 10/100/1000 Mbps Data Rates
- Standards Compliant: IEEE 802.3at/bt
- Plug and Play Installation
- Includes Integrated Surge/Lightning Protection

## Table of Contents

Introduction.....	1
Features.....	1
1. Standards and Safety Guidelines.....	4
1.1. Electrical Compatibility Approvals.....	4
1.2. Safety Standard Approvals.....	4
1.3. CE Marking.....	4
1.4. GS/D Compliance.....	4
1.5. Surge/Lightning Protection.....	4
1.6. Dust and Water Protection.....	5
1.7. Other Standards and Approvals.....	5
1.8. Safety Information.....	5
2. Information en Matière de Sécurité.....	6
2.1. Directives Générales.....	6
2.2. Mises en Garde.....	6
3. PoE Midspan Unit Installation.....	7
3.1. Parts List.....	7
3.2. Additional Tools.....	7
3.3. Installation.....	8
4. Installation of Cables.....	14
4.1. AC Power Cable Installation.....	14
4.2. RJ45 Cable Installation.....	15
4.3. Data and Power Connection.....	17
5. Troubleshooting.....	18
5.1. Preliminary Steps.....	18
5.2. Troubleshooting Steps.....	18
6. Specifications.....	19
6.1. Environmental Specifications.....	19
6.2. Electrical Specifications.....	19
6.3. Interface.....	19
7. Technical Support.....	20
8. Revision History.....	21
Microchip Information.....	22
The Microchip Website.....	22
Product Change Notification Service.....	22
Customer Support.....	22
Microchip Devices Code Protection Feature.....	22
Legal Notice.....	22
Trademarks.....	23
Quality Management System.....	24

Worldwide Sales and Service.....25

## 1. Standards and Safety Guidelines

This chapter describes the standards and safety guidelines for the product.

### 1.1 Electrical Compatibility Approvals

Microchip's PoE midspan units complies with the following standards:

PD-9001GCO	PD-9501GCO	PD-9601GCO
EN61000-4-5 Class5 (6KV on AC Lines)		
EN55032		
EN55035		
FCC Part 15		
—	—	EN61000-3-2
EN61000-3-3		
VCCI		

### 1.2 Safety Standard Approvals

Microchip's PD-9x01GCO PoE midspan units meet the following safety standards. Consult Microchip for a complete list of safety certifications.

- UL/IEC/EN 62368-1
- UL60950-22

### 1.3 CE Marking

CE marking on this product indicates that this product complies with the Electromagnetic Compatibility (EMC) Directive.

### 1.4 GS/D Compliance

GS marking on this product indicates that the product complies with the German Product Safety Act.

D marking on this product indicates that the product complies with the Denmark Product Safety Act.

### 1.5 Surge/Lightning Protection

Microchip's PD-9x01GCO PoE midspan units are designed to me the following requirements.

- GR-1089-CORE Lightning Protection Requirements
- ITU K.21 Lightning Protection—Enhanced Level

### 1.6 Dust and Water Protection

Microchip's PD-9x01GCO PoE midspan units are designed according to the following requirements.

- IEC60529, Level IP67
- NEMA 250, Level 4x

### 1.7 Other Standards and Approvals

Microchip's PD-9x01GCO PoE midspan units are designed according to the following requirements.

- PD-9001GCO/PD-9501GCO: IEEE 802.3at and IEEE 802.3af (PoE) Standards
- PD-9601GCO: IEEE 802.3bt (PoE) Standards
- RoHS Compliant
- WEEE Compliant
- REACH Compliant

### 1.8 Safety Information

Read the safety information before using the PoE midspan unit.

#### 1.8.1 General Guidelines

Read the following safety information before carrying out any installation, removal, or maintenance procedure on the PoE midspan. Warnings contain directions to be followed for the safety of personal and product.

#### 1.8.2 Warnings

- Read installation instructions in [3. PoE Midspan Unit Installation](#) before connecting midspan unit to its power source.
- Follow basic electricity safety measures when connecting the PoE midspan unit to its power source.
- Only trained and qualified personnel must be allowed to install, replace, and service this equipment.
- A voltage mismatch can damage the equipment and can pose a fire hazard. If voltage indicated on the label is different from the power outlet voltage, do not connect midspan unit to this outlet.
- All wiring and connections must conform to NFPA 70 (NEC).
- Power supply cord must not be attached to the building surface or run through walls, ceilings, floors, and similar openings in the building structure.
- Measures must be taken to prevent physical damage to the power supply cord, including proper routing.
- Data and Data and Power ports of the midspan unit are shielded RJ45 data sockets. They cannot be used as Plain Old Telephone Service (POTS) sockets. Only connect RJ45 data connectors to these sockets.
- When disposing this product, follow all local laws and regulations.

## 2. Information en Matière de Sécurité

Lire les informations suivantes en matière de sécurité avant d'utiliser d'activer l'alimentation sur votre appareil Ethernet unité midspan.

### 2.1 Directives Générales

Lire les informations suivantes en matière de sécurité avant d'installer ou enlever quoi que ce soit, ou procéder à l'entretien de l'alimentation de votre appareil Ethernet midspan. Les mises en garde contiennent des instructions qui doivent être suivies pour la sécurité des personnes et du produit. Suivre les instructions soigneusement.

### 2.2 Mises en Garde

- Lire les instructions d'installation dans [3. PoE Midspan Unit Installation](#) avant de connecter le midspan à une source d'alimentation.
- Suivre les mesures de sécurité électrique de base lors de la connexion de l'injecteur PoE à sa source d'alimentation.
- Seul du personnel formé et qualifié doit être autorisé à installer, remplacer et entretenir cet équipement.
- Une disparité de voltage peut endommager l'équipement et constituer un risque d'incendie. Si le voltage indiqué sur l'étiquette est différent du voltage de la source d'alimentation, ne pas connecter le midspan à cette prise.
- Tout le câblage et les connexions doivent être conformes à la norme NFPA 70 (NEC).
- Le cordon d'alimentation ne doit pas être fixé à la surface du bâtiment ni passer à travers les murs, les plafonds, les planchers et les ouvertures similaires de la structure du bâtiment.
- Des mesures doivent être prises pour éviter tout dommage physique au cordon d'alimentation, y compris son acheminement correct.
- Les ports **Data** et **Data et Power** du PoE midspan sont des prises de données blindées RJ45. Elles ne peuvent pas être utilisées comme prises de service téléphonique traditionnel. Connecter seulement des connecteurs de données RJ45 à ces prises. Le câblage Ethernet connexe doit être limité à l'intérieur de l'immeuble.
- Pour disposer/jeter ce produit, suivre les lois et règlements locaux.

### 3. PoE Midspan Unit Installation

This chapter describes the procedure to install the midspan unit.

**Note:** Do not use a cross-over cable between the PoE midspan output port and the load device.

**Warnings:**

1. Take extra care when connecting the AC power inlet terminals, so that **N**, **L**, and **Ground** are connected to the proper polarity.
2. Ensure that the AC power is within the allowed range.
3. Earth ground screw must be connected to earth ground in all types of installations.

#### 3.1 Parts List

The following table lists the parts included in the kit.

Quantity	Component
1	30W/60W/90W midspan unit, outdoor model
1	AC female connector
1	Quick Installation Guide

#### 3.2 Additional Tools

The following table lists the additional tools required to install the midspan unit.

Quantity	Part
1	Screwdriver
1	Wire stripper
1	Solid Wrench No. 27 or Adjustable Wrench

### 3.3 Installation

This section describes the prerequisites and available installation options for the midspan unit.

The following figure shows the overview of the midspan unit.

Figure 3-1. Product Overview—Front View

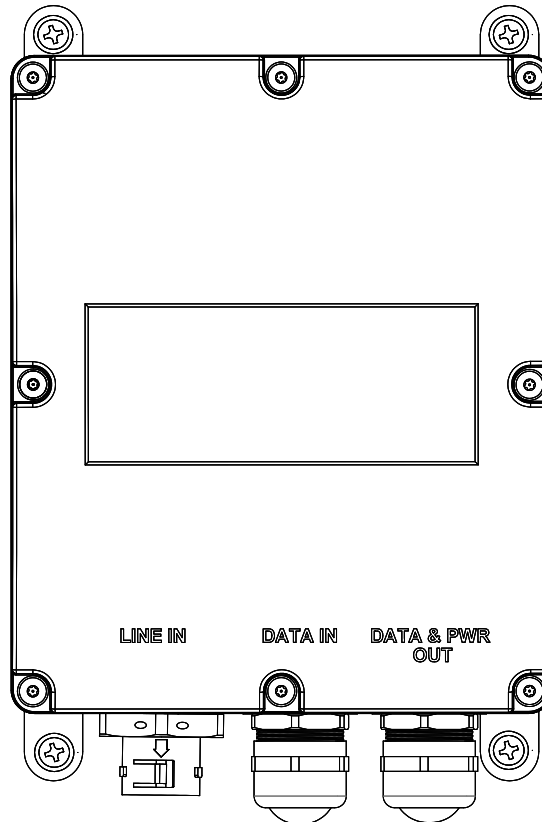


Figure 3-2. Product Overview—Top View

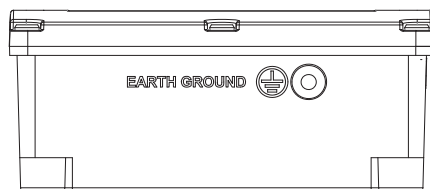
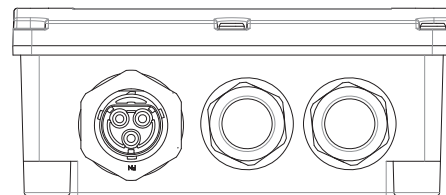


Figure 3-3. Product Overview—Bottom View



#### 3.3.1 Prerequisites

Note the following before mounting the PoE midspan unit to a fixed location:

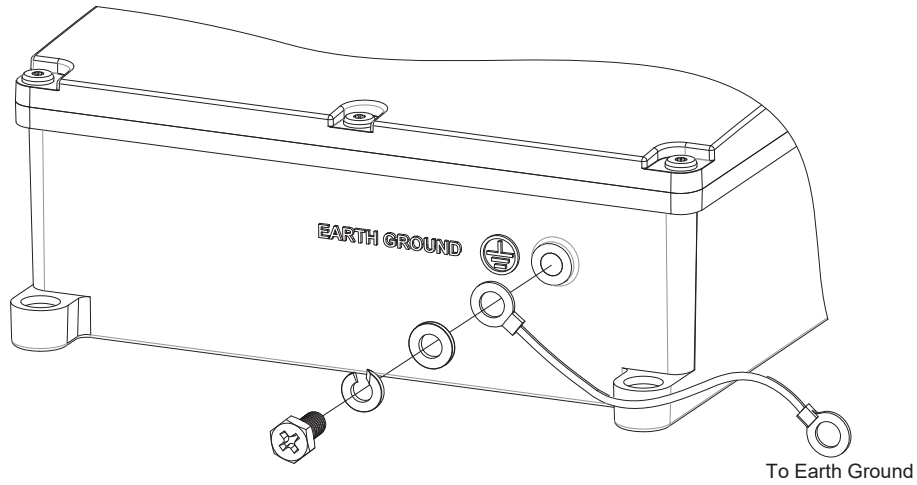
- To ensure weather-proof connection in order to meet IEC60529 level IP67. PoE midspan AC power plug needs to be connected to a weather-proof AC power source box.
- Do not cover the midspan or block the airflow to the PoE with any foreign objects.
- Keep the midspan away from excessive heat and free from vibration.
- Ensure that the cable length from the Ethernet network source to the terminal does not exceed 100 meters (333 feet). The midspan is not a repeater and does not amplify the Ethernet data signal.
- The midspan has no ON-OFF switch, simply plug the midspan to an AC power source.
- PoE midspan AC power lines must be connected to the socket-outlet that shall be installed near the equipment and be easily accessible.

### 3.3.2 Earth Ground Connection

**Note:** Connect the midspan to ground only if replacing pre-assembled ground cable.

1. Connect the chassis bolt to the earth ground point on the rear of the midspan.
2. Connect the other end of the ground wire to earth ground at your installation point.
3. Tighten the screw to 1.1 Nm to 1.7 Nm.

**Figure 3-4. Earth Ground Connection**



### 3.3.3 Installation Options

Following are the two options available for the installation of these midspan units:

1. **Wall Mounting**—PoE midspan unit can be mounted on a wall/bench (all kind of flat surfaces such as wood, brick, concrete and other) using the mounting holes.



Use only a solid mounting surface to install the midspan unit, do not install on drywall or plasterboard walls.

2. **Pole Mounting**—Using the optional mounting kit.  
**Note:** The optional mounting kits are not provided with the midspan unit. Contact [7. Technical Support](#) for more information on ordering the mounting kits (Part Number: PD-OUT/MBK/GCO or PD-OUT/MBK/ET).

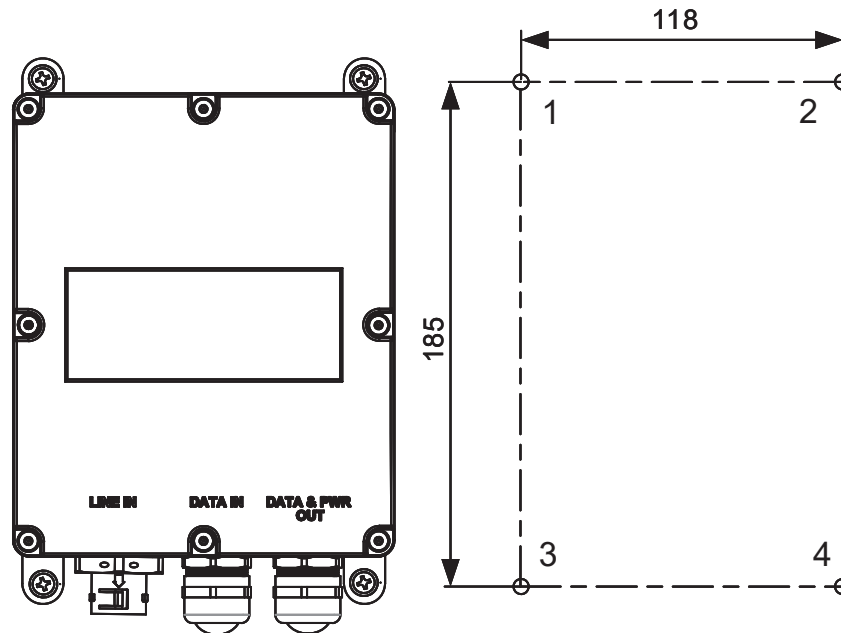
#### 3.3.3.1 Wall Mounting

Follow the procedure to mount the unit directly to a wall.

1. Using the screw holes of the midspan as a template, put marks on the mounting surface (a wall of wood, brick or concrete) to mark drill points and drill four holes.
2. With the unit attached to the mounting surface, insert four mounting screws through the screw holes on the unit and into the mounting surface.

**Notes:**

- For bricks or concrete wall, use anchor screws (5 mm x 40 mm), and for wooden wall, use wood screws (5 mm x 40 mm).
  - The screws are not provided with the kit.
3. Tighten each screw until the midspan unit is securely attached to the mounting surface.



**Note:** The dimensions in the above figure are in millimeters.

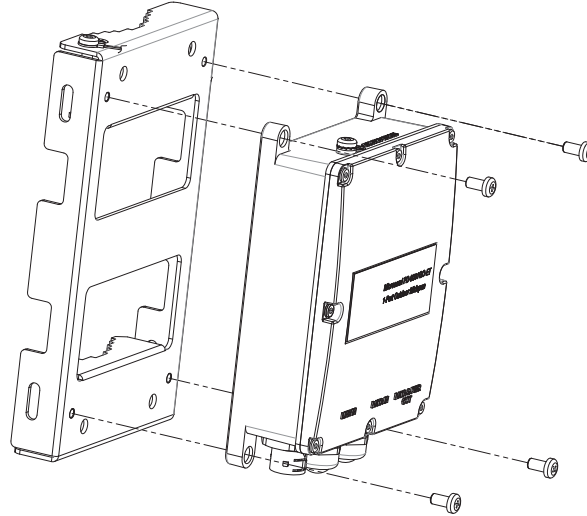
### 3.3.3.2 Pole Mounting

Following are the two options available for the pole installation of this midspan unit.

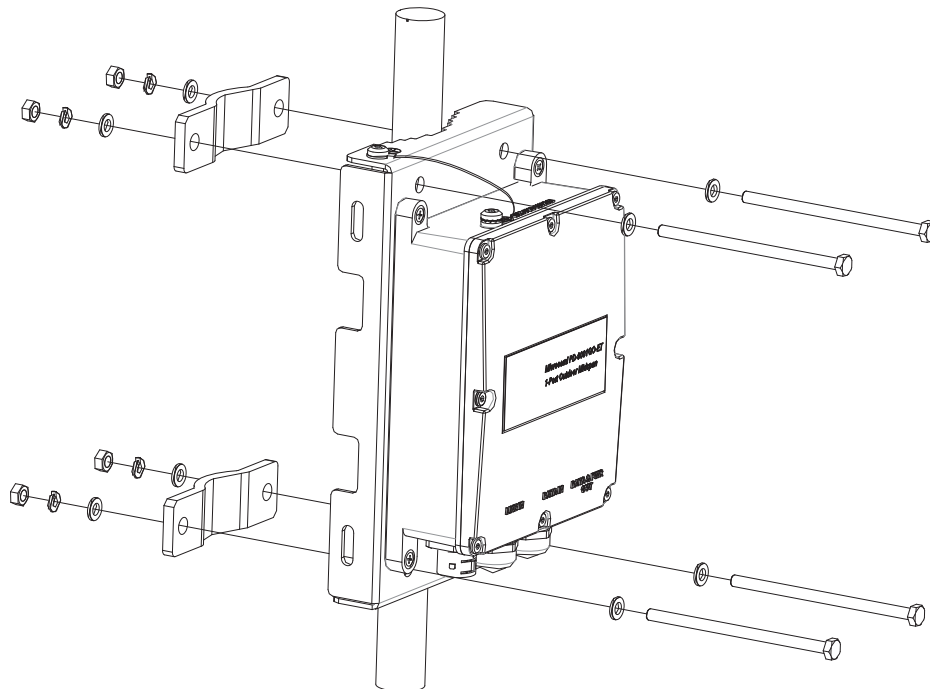
#### 3.3.3.2.1 Pole Mounting—Using PD-OUT/MBK/ET Kit

Before installing the midspan, ensure that all the following parts listed in the parts list are included. If any items are missing, notify your Sales or Customer Service Representative from Microchip.

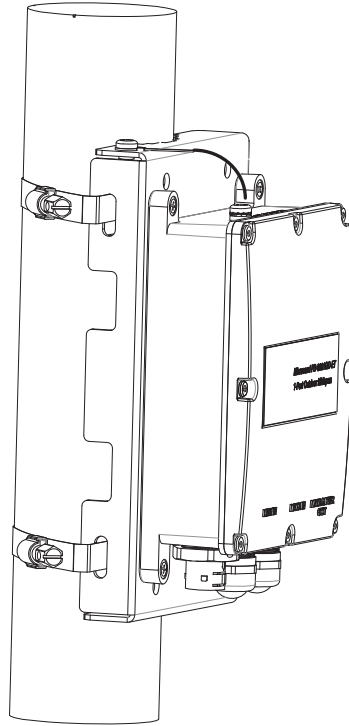
1. Install the midspan onto the mounting bracket of the pole mount adapter, using four pan head screws.



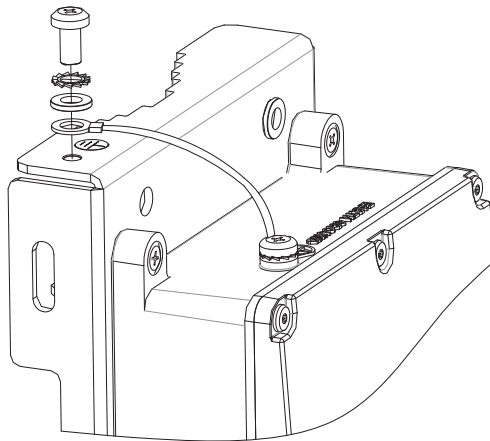
2. Install the mounting bracket onto the pole. Use the appropriate components depending on the diameter of the pole.
  - a. **Pole of small diameter:** The following parts list identifies the components required to install the metal bracket on a pole with a diameter of 25 mm to 76 mm (1 in. to 3 in.).



- b. **Pole of large diameter:** The following parts list identifies the components required to install the metal bracket on a pole with a diameter of 76 mm to 203 mm (3 in. to 8 in.).



3. For poles of both small and large diameter, connect the chassis bolt to the earth ground point on the mount kit.



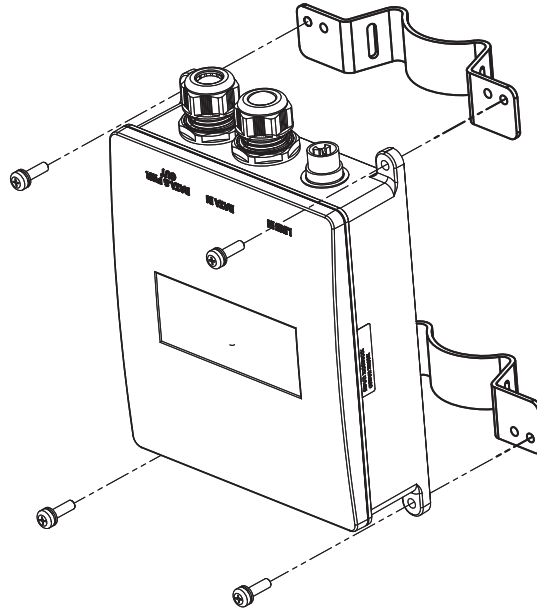
**Warning:** Mounting bracket must be connected to earth ground.

### 3.3.3.2.2 Pole Mounting—Using PD-OUT/MBK/GCO Kit

Before installing the midspan, ensure that all the items listed in the [3.1. Parts List](#) are available in the kit. If any item is missing, notify your Sales or Customer Service Representative from Microchip.

Follow the procedure to mount the unit on a pole using a mounting bracket.

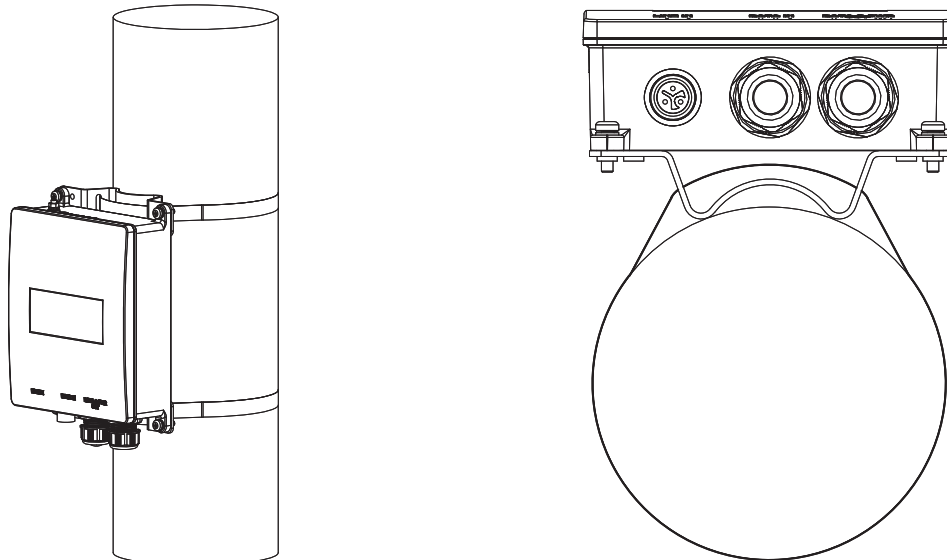
1. Attach the pole bracket to the midspan using four pan head screws and tighten the pan head screws to 1.1 Nm.



2. Place the midspan/pole bracket assembly onto the pole. Tighten the midspan/pole bracket assembly to the pole using worm clams, as shown in the following figures.

**Notes:**

- Pole bracket supports poles with diameters ranging from 60 mm to 200 mm (2.5 in. to 8 in.).
- The unit must be installed with DATA IN, and DATA & PWR OUT ports facing down, as shown in the following figures.



## 4. Installation of Cables

This chapter describes the procedure to install the cables to the midspan unit.

### 4.1 AC Power Cable Installation

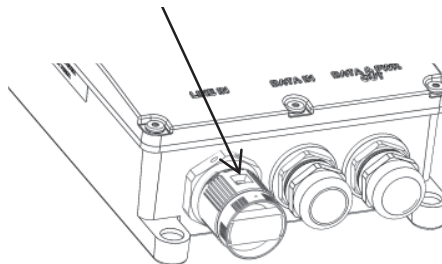
The following table lists the AC power cable specifications.

**Table 4-1. AC Cable Specifications**

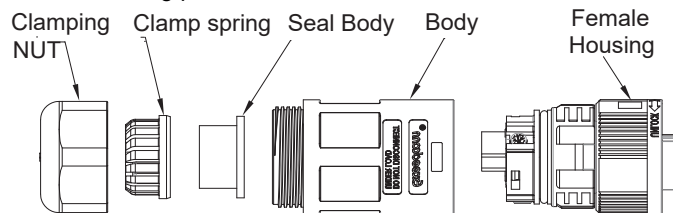
Parameter	Value
Recommended cable type	North America—SJOW or SOOW Worldwide—H05RN-F or H07RN-F
Voltage rating	300V (or better recommended)
Temperature range	-40 °C to 65 °C (or better recommended)
Cable size	16 AWG–18 AWG 3C 1.0 mm <sup>2</sup> –1.5 mm <sup>2</sup> 3C
Cable outer dimension	∅ 6.0 mm–10 mm
Approved for indoor and outdoor applications.	

Follow the procedure to install the AC cable to the midspan unit.

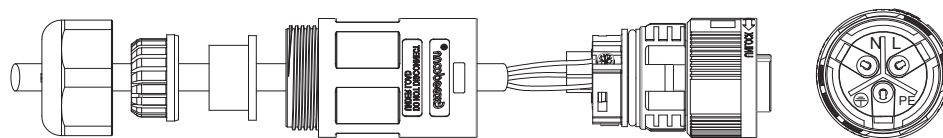
1. Insert a screwdriver, press and rotate counter-clockwise to unlock the cap. Remove the cap from the midspan unit.



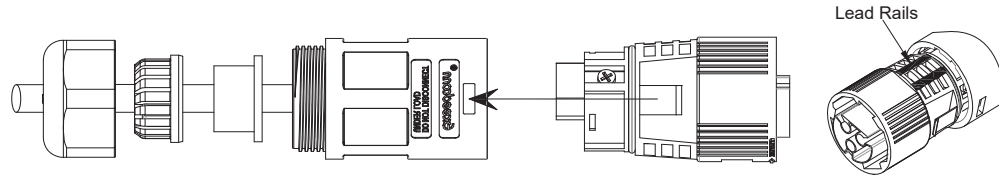
2. The connector consists of the following parts.



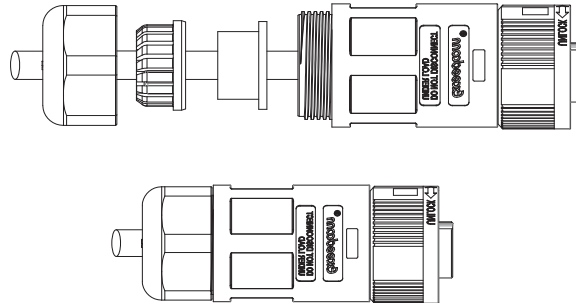
3. Insert the AC cable through the parts, crimp, and screw the wire leads to 0.8 Nm torque.



4. Push Housing into Body according to lead rails, as shown in the following figure.



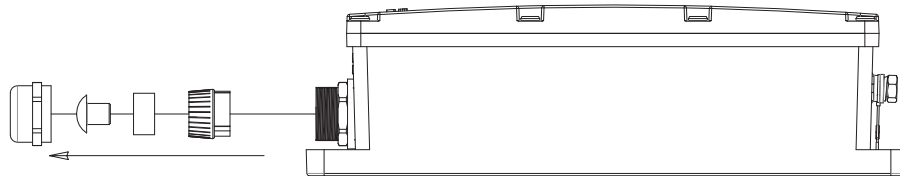
5. Insert Seal and Clamp spring into the body and tighten the Nut to 4 Nm torque.



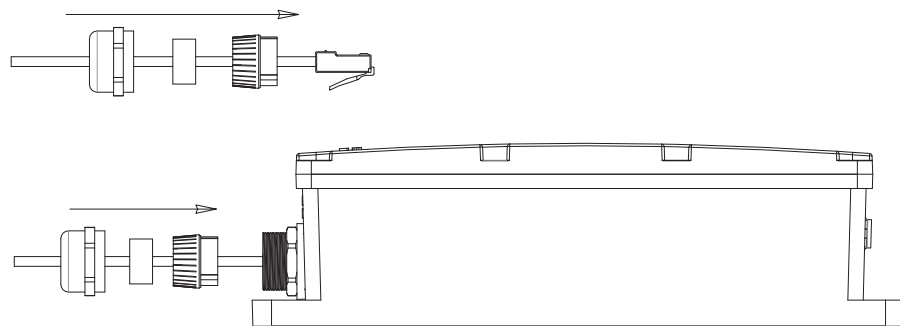
## 4.2 RJ45 Cable Installation

The following steps describe how to install the RJ45 cable to the midspan unit.

1. Remove the upper cap, blank plug, and washer from the **DATA IN** port.



2. Insert the cable through the upper cap and the washer and plug into the **DATA IN** port.

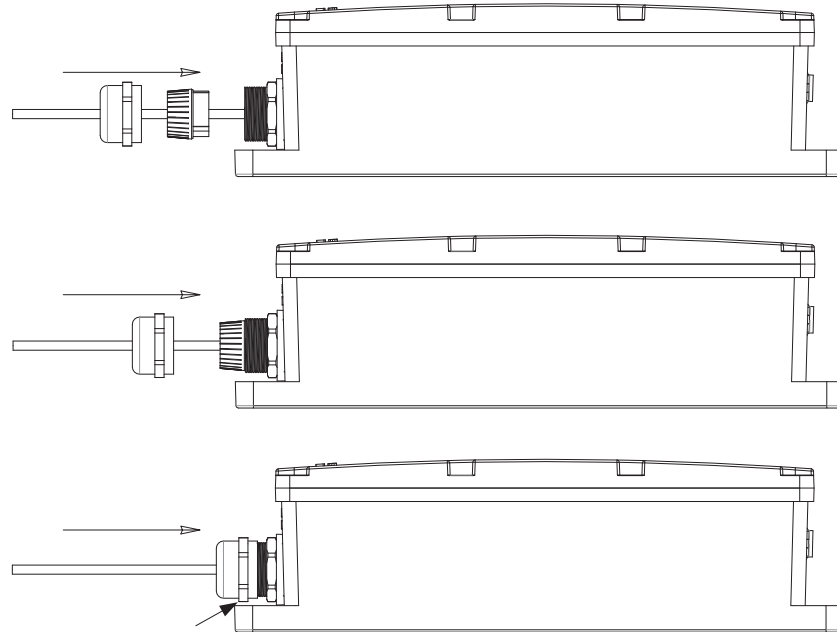


3. Slide the washer and the upper cap towards the midspan and hand-tighten the upper cap onto the **DATA IN** port.

**Note:** Secure the gland until the rubber gasket is firmly closed around the cable.

# PD-9x01GCO/AC

## Installation of Cables



Need to secure gland till rubber gasket is tightly closed around the cable

4. Repeat step 1 to step 3 to connect the RJ45 cable to the **DATA & PWR OUT** port.
5. Verify connection to main AC power.

### Notes:

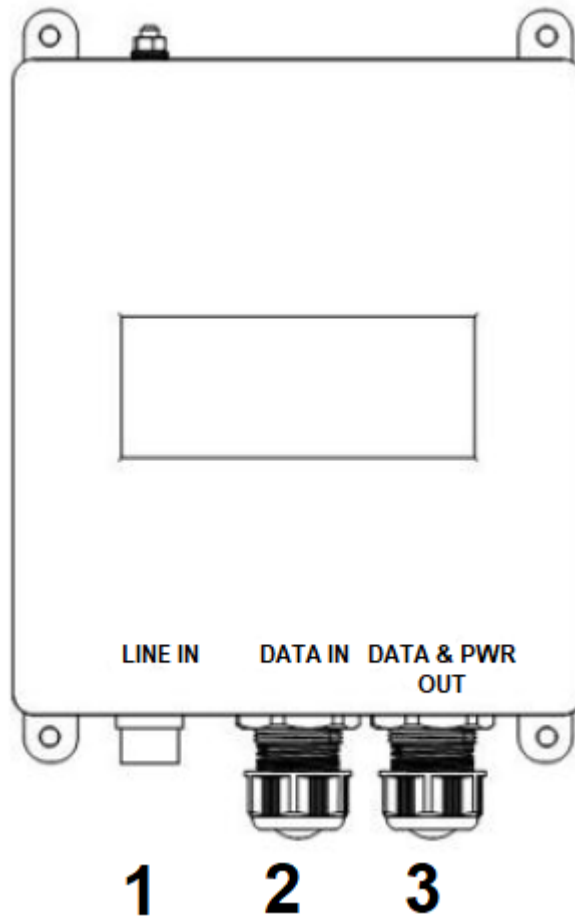
1. 2-ports RJ45 male plug waterproof cap covers are supplied with the PoE Midspan.
2. AC<sub>IN</sub> plug is supplied with the PoE Midspan.
3. AC power cable, Ethernet cable, and RJ45 male connectors are not supplied with the PoE Midspan.
4. For non AF/AT compliant unit—use a splitter; ensure that the splitter is connected close to the terminal and not on the midspan.
5. These units are designed for outdoor use only.

### 4.3 Data and Power Connection

**Note:** The midspan has no ON-OFF switch, simply plug the midspan into an AC power source.  
Follow the procedure to connect the data and power source to the midspan unit.

1. Connect the **DATA IN** (input) jack from the midspan to remote Ethernet network (item 2 in the following figure).
2. Connect the **DATA & PWR OUT** (output) jack from the midspan to the terminal (item 3 in the following figure).
3. Connect AC power lines from the **LINE IN** terminal (item 1 in the following figure) to main AC power. Ensure that the power outlet is nearby and easily accessible.

**Note:** Connect the midspan unit to a weather-proof AC power source box that meets IP66 and IP67 ratings.



	Label	Description
1	LINE IN	Power input, 100 V <sub>AC</sub> –240 V <sub>AC</sub>
2	DATA IN	Data in to the Ethernet (network) switch
3	DATA & PWR OUT	Data and power out to the Ethernet terminal

## 5. Troubleshooting

This chapter describes the troubleshooting procedures to address any problems encountered with the midspan unit.

### 5.1 Preliminary Steps

If there is any problem, verify the following steps:

- Power is applied to the midspan unit.
- A crossover-type Ethernet cable has not been used.
- Ethernet cable from network is connected to **Data In** port.
- Ethernet cable to PD is connected to **Data and Power Out** port.
- Cable pairs are attached to their corresponding ports.

### 5.2 Troubleshooting Steps

The following table lists the problem and resolution sequence to assist in troubleshooting of minor operating problems. If the following steps do not solve your problem, contact your local dealer for further assistance.

**Table 5-1. Troubleshooting Steps**

Problem	Corrective Steps
Midspan does not power-up	<ol style="list-style-type: none"> <li>1. Verify a reliable power cord is used.</li> <li>2. Make sure that the power cord is properly connected.</li> <li>3. Verify that the voltage at power inlet is between 100 V<sub>AC</sub>–240 V<sub>AC</sub>.</li> <li>4. Remove and reapply power to the device during power-up sequence.</li> </ol>
PD does not operate	<ol style="list-style-type: none"> <li>1. Verify that the port is enabled (midspan did not detect a PD).</li> <li>2. Verify that the PD is designed for PoE operation.</li> <li>3. Verify that you are using a standard Category 5/5e/6, straight-wired cable, with four-pairs according to data rate.</li> <li>4. If an external power splitter is in use, replace it with a viable splitter.</li> <li>5. Verify that the Data source is connected to the <b>Data In</b> port.</li> <li>6. Verify that the PD is connected to the <b>Data and Power Output</b> port.</li> <li>7. Verify that there is no short over any of the twisted-pair cables or over the RJ45 connectors.</li> </ol>
End device operates, but there is no data link.	<ol style="list-style-type: none"> <li>1. If an external power splitter is in use, replace it with a viable splitter.</li> <li>2. Verify that for this link you are using a standard UTP/FTP Category 5 straight (non-crossover) cabling, with all four pairs.</li> <li>3. Verify that the Ethernet cable length is less than 100 meters from Ethernet source to the remote terminal.</li> </ol>

## 6. Specifications

This chapter lists the specifications of PD-9x01GCO PoE midspan units.

### 6.1 Environmental Specifications

**Table 6-1. Environmental Specifications**

Mode	Temperature		Humidity
	PD-9001GCO/PD-9501GCO	PD-9601GCO	
Operating	–40 °C to 65 °C –40 °F to 149 °F	–40 °C to 60 °C –40 °F to 131 °F	10% to 90% (non-condensing)
Storage	–40 °C to 85 °C –40 °F to 185 °F		

### 6.2 Electrical Specifications

**Table 6-2. Electrical Specifications**

Parameter	PD-9001GCO	PD-9501GCO	PD-9601GCO
	Value		
Input voltage	100 V <sub>AC</sub> –240 V <sub>AC</sub> (50 Hz/60 Hz)		
Input current	1.4A (maximum)		1.3A (maximum)
Available output power (maximum)	30W	60W	90W
Nominal output voltage	54 V <sub>DC</sub>		

### 6.3 Interface

**Table 6-3. Interface**

Parameter	Type	
	PD-9001GCO	PD-9501GCO/PD-9601GCO
Input (Data In): Ethernet 10/100/1000Base-T	RJ45 female socket	RJ45 female socket
Output (DATA PWR OUT): Ethernet 10/100/1000, plus 54 V <sub>DC</sub>	RJ45 female socket, with DC voltage on wire pairs: 4-5 and 7-8	RJ45 female socket, with DC voltage on wire pairs: 3-6, 4-5 and 1-2, 7-8
AC Power IN	3 Pins AC power-in—Line, Neutral and Earth Ground	3 Pins AC power-in—Line, Neutral and Earth Ground

## **7. Technical Support**

If you encounter problems while installing or using this product, consult the Microchip technical support team through the website or contact on the following number:

### **USA/Canada**

Telephone: +1 877 480 2323

Internet: [www.microchip.com/support](http://www.microchip.com/support)

**8. Revision History**

Revision	Date	Description
A	10/2022	Initial Revision.

---

## Microchip Information

---

### The Microchip Website

---

Microchip provides online support via our website at [www.microchip.com/](http://www.microchip.com/). This website is used to make files and information easily available to customers. Some of the content available includes:

- **Product Support** – Data sheets and errata, application notes and sample programs, design resources, user's guides and hardware support documents, latest software releases and archived software
- **General Technical Support** – Frequently Asked Questions (FAQs), technical support requests, online discussion groups, Microchip design partner program member listing
- **Business of Microchip** – Product selector and ordering guides, latest Microchip press releases, listing of seminars and events, listings of Microchip sales offices, distributors and factory representatives

### Product Change Notification Service

---

Microchip's product change notification service helps keep customers current on Microchip products. Subscribers will receive email notification whenever there are changes, updates, revisions or errata related to a specified product family or development tool of interest.

To register, go to [www.microchip.com/pcn](http://www.microchip.com/pcn) and follow the registration instructions.

### Customer Support

---

Users of Microchip products can receive assistance through several channels:

- Distributor or Representative
- Local Sales Office
- Embedded Solutions Engineer (ESE)
- Technical Support

Customers should contact their distributor, representative or ESE for support. Local sales offices are also available to help customers. A listing of sales offices and locations is included in this document.

Technical support is available through the website at: [www.microchip.com/support](http://www.microchip.com/support)

### Microchip Devices Code Protection Feature

---

Note the following details of the code protection feature on Microchip products:

- Microchip products meet the specifications contained in their particular Microchip Data Sheet.
- Microchip believes that its family of products is secure when used in the intended manner, within operating specifications, and under normal conditions.
- Microchip values and aggressively protects its intellectual property rights. Attempts to breach the code protection features of Microchip product is strictly prohibited and may violate the Digital Millennium Copyright Act.
- Neither Microchip nor any other semiconductor manufacturer can guarantee the security of its code. Code protection does not mean that we are guaranteeing the product is "unbreakable". Code protection is constantly evolving. Microchip is committed to continuously improving the code protection features of our products.

### Legal Notice

---

This publication and the information herein may be used only with Microchip products, including to design, test, and integrate Microchip products with your application. Use of this information in any other manner violates these terms. Information regarding device applications is provided only for your convenience and may be superseded

by updates. It is your responsibility to ensure that your application meets with your specifications. Contact your local Microchip sales office for additional support or, obtain additional support at [www.microchip.com/en-us/support/design-help/client-support-services](http://www.microchip.com/en-us/support/design-help/client-support-services).

THIS INFORMATION IS PROVIDED BY MICROCHIP "AS IS". MICROCHIP MAKES NO REPRESENTATIONS OR WARRANTIES OF ANY KIND WHETHER EXPRESS OR IMPLIED, WRITTEN OR ORAL, STATUTORY OR OTHERWISE, RELATED TO THE INFORMATION INCLUDING BUT NOT LIMITED TO ANY IMPLIED WARRANTIES OF NON-INFRINGEMENT, MERCHANTABILITY, AND FITNESS FOR A PARTICULAR PURPOSE, OR WARRANTIES RELATED TO ITS CONDITION, QUALITY, OR PERFORMANCE.

IN NO EVENT WILL MICROCHIP BE LIABLE FOR ANY INDIRECT, SPECIAL, PUNITIVE, INCIDENTAL, OR CONSEQUENTIAL LOSS, DAMAGE, COST, OR EXPENSE OF ANY KIND WHATSOEVER RELATED TO THE INFORMATION OR ITS USE, HOWEVER CAUSED, EVEN IF MICROCHIP HAS BEEN ADVISED OF THE POSSIBILITY OR THE DAMAGES ARE FORESEEABLE. TO THE FULLEST EXTENT ALLOWED BY LAW, MICROCHIP'S TOTAL LIABILITY ON ALL CLAIMS IN ANY WAY RELATED TO THE INFORMATION OR ITS USE WILL NOT EXCEED THE AMOUNT OF FEES, IF ANY, THAT YOU HAVE PAID DIRECTLY TO MICROCHIP FOR THE INFORMATION.

Use of Microchip devices in life support and/or safety applications is entirely at the buyer's risk, and the buyer agrees to defend, indemnify and hold harmless Microchip from any and all damages, claims, suits, or expenses resulting from such use. No licenses are conveyed, implicitly or otherwise, under any Microchip intellectual property rights unless otherwise stated.

## Trademarks

---

The Microchip name and logo, the Microchip logo, Adaptec, AVR, AVR logo, AVR Freaks, BesTime, BitCloud, CryptoMemory, CryptoRF, dsPIC, flexPWR, HELDO, IGLOO, JukeBlox, KeeLoq, Kleer, LANCheck, LinkMD, maXStylus, maXTouch, MediaLB, megaAVR, Microsemi, Microsemi logo, MOST, MOST logo, MPLAB, OptoLyzer, PIC, picoPower, PICSTART, PIC32 logo, PolarFire, Prochip Designer, QTouch, SAM-BA, SenGenuity, SpyNIC, SST, SST Logo, SuperFlash, Symmetricom, SyncServer, Tachyon, TimeSource, tinyAVR, UNI/O, Vectron, and XMEGA are registered trademarks of Microchip Technology Incorporated in the U.S.A. and other countries.

AgileSwitch, APT, ClockWorks, The Embedded Control Solutions Company, EtherSynch, Flashtec, Hyper Speed Control, HyperLight Load, Libero, motorBench, mTouch, Powermite 3, Precision Edge, ProASIC, ProASIC Plus, ProASIC Plus logo, Quiet-Wire, SmartFusion, SyncWorld, Temux, TimeCesium, TimeHub, TimePictra, TimeProvider, TrueTime, and ZL are registered trademarks of Microchip Technology Incorporated in the U.S.A.

Adjacent Key Suppression, AKS, Analog-for-the-Digital Age, Any Capacitor, AnyIn, AnyOut, Augmented Switching, BlueSky, BodyCom, Clockstudio, CodeGuard, CryptoAuthentication, CryptoAutomotive, CryptoCompanion, CryptoController, dsPICDEM, dsPICDEM.net, Dynamic Average Matching, DAM, ECAN, Espresso T1S, EtherGREEN, GridTime, IdealBridge, In-Circuit Serial Programming, ICSP, INICnet, Intelligent Paralleling, IntellIMOS, Inter-Chip Connectivity, JitterBlocker, Knob-on-Display, KoD, maxCrypto, maxView, memBrain, Mindi, MiWi, MPASM, MPF, MPLAB Certified logo, MPLIB, MPLINK, MultiTRAK, NetDetach, Omniscient Code Generation, PICDEM, PICDEM.net, PICkit, PICtail, PowerSmart, PureSilicon, QMatrix, REAL ICE, Ripple Blocker, RTAX, RTG4, SAM-ICE, Serial Quad I/O, simpleMAP, SimpliPHY, SmartBuffer, SmartHLS, SMART-I.S., storClad, SQL, SuperSwitcher, SuperSwitcher II, Switchtec, SynchroPHY, Total Endurance, Trusted Time, TSHARC, USBCheck, VariSense, VectorBlox, VeriPHY, ViewSpan, WiperLock, XpressConnect, and ZENA are trademarks of Microchip Technology Incorporated in the U.S.A. and other countries.

SQTP is a service mark of Microchip Technology Incorporated in the U.S.A.

The Adaptec logo, Frequency on Demand, Silicon Storage Technology, and Symmcom are registered trademarks of Microchip Technology Inc. in other countries.

GestIC is a registered trademark of Microchip Technology Germany II GmbH & Co. KG, a subsidiary of Microchip Technology Inc., in other countries.

All other trademarks mentioned herein are property of their respective companies.

© 2022, Microchip Technology Incorporated and its subsidiaries. All Rights Reserved.

ISBN: 978-1-6683-1370-1

## Quality Management System

---

For information regarding Microchip's Quality Management Systems, please visit [www.microchip.com/quality](http://www.microchip.com/quality).

## Worldwide Sales and Service

AMERICAS	ASIA/PACIFIC	ASIA/PACIFIC	EUROPE
<p><b>Corporate Office</b> 2355 West Chandler Blvd. Chandler, AZ 85224-6199 Tel: 480-792-7200 Tel: 480-792-7277 Technical Support: <a href="http://www.microchip.com/support">www.microchip.com/support</a> Web Address: <a href="http://www.microchip.com">www.microchip.com</a></p> <p><b>Atlanta</b> Duluth, GA Tel: 678-957-9614 Fax: 678-957-1455</p> <p><b>Austin, TX</b> Tel: 512-257-3370</p> <p><b>Boston</b> Westborough, MA Tel: 774-760-0087 Fax: 774-760-0088</p> <p><b>Chicago</b> Itasca, IL Tel: 630-285-0071 Fax: 630-285-0075</p> <p><b>Dallas</b> Addison, TX Tel: 972-818-7423 Fax: 972-818-2924</p> <p><b>Detroit</b> Novi, MI Tel: 248-848-4000</p> <p><b>Houston, TX</b> Tel: 281-894-5983</p> <p><b>Indianapolis</b> Noblesville, IN Tel: 317-773-8323 Fax: 317-773-5453 Tel: 317-536-2380</p> <p><b>Los Angeles</b> Mission Viejo, CA Tel: 949-462-9523 Fax: 949-462-9608 Tel: 951-273-7800</p> <p><b>Raleigh, NC</b> Tel: 919-844-7510</p> <p><b>New York, NY</b> Tel: 631-435-6000</p> <p><b>San Jose, CA</b> Tel: 408-735-9110 Tel: 408-436-4270</p> <p><b>Canada - Toronto</b> Tel: 905-695-1980 Fax: 905-695-2078</p>	<p><b>Australia - Sydney</b> Tel: 61-2-9868-6733</p> <p><b>China - Beijing</b> Tel: 86-10-8569-7000</p> <p><b>China - Chengdu</b> Tel: 86-28-8665-5511</p> <p><b>China - Chongqing</b> Tel: 86-23-8980-9588</p> <p><b>China - Dongguan</b> Tel: 86-769-8702-9880</p> <p><b>China - Guangzhou</b> Tel: 86-20-8755-8029</p> <p><b>China - Hangzhou</b> Tel: 86-571-8792-8115</p> <p><b>China - Hong Kong SAR</b> Tel: 852-2943-5100</p> <p><b>China - Nanjing</b> Tel: 86-25-8473-2460</p> <p><b>China - Qingdao</b> Tel: 86-532-8502-7355</p> <p><b>China - Shanghai</b> Tel: 86-21-3326-8000</p> <p><b>China - Shenyang</b> Tel: 86-24-2334-2829</p> <p><b>China - Shenzhen</b> Tel: 86-755-8864-2200</p> <p><b>China - Suzhou</b> Tel: 86-186-6233-1526</p> <p><b>China - Wuhan</b> Tel: 86-27-5980-5300</p> <p><b>China - Xian</b> Tel: 86-29-8833-7252</p> <p><b>China - Xiamen</b> Tel: 86-592-2388138</p> <p><b>China - Zhuhai</b> Tel: 86-756-3210040</p>	<p><b>India - Bangalore</b> Tel: 91-80-3090-4444</p> <p><b>India - New Delhi</b> Tel: 91-11-4160-8631</p> <p><b>India - Pune</b> Tel: 91-20-4121-0141</p> <p><b>Japan - Osaka</b> Tel: 81-6-6152-7160</p> <p><b>Japan - Tokyo</b> Tel: 81-3-6880-3770</p> <p><b>Korea - Daegu</b> Tel: 82-53-744-4301</p> <p><b>Korea - Seoul</b> Tel: 82-2-554-7200</p> <p><b>Malaysia - Kuala Lumpur</b> Tel: 60-3-7651-7906</p> <p><b>Malaysia - Penang</b> Tel: 60-4-227-8870</p> <p><b>Philippines - Manila</b> Tel: 63-2-634-9065</p> <p><b>Singapore</b> Tel: 65-6334-8870</p> <p><b>Taiwan - Hsin Chu</b> Tel: 886-3-577-8366</p> <p><b>Taiwan - Kaohsiung</b> Tel: 886-7-213-7830</p> <p><b>Taiwan - Taipei</b> Tel: 886-2-2508-8600</p> <p><b>Thailand - Bangkok</b> Tel: 66-2-694-1351</p> <p><b>Vietnam - Ho Chi Minh</b> Tel: 84-28-5448-2100</p>	<p><b>Austria - Wels</b> Tel: 43-7242-2244-39 Fax: 43-7242-2244-393</p> <p><b>Denmark - Copenhagen</b> Tel: 45-4485-5910 Fax: 45-4485-2829</p> <p><b>Finland - Espoo</b> Tel: 358-9-4520-820</p> <p><b>France - Paris</b> Tel: 33-1-69-53-63-20 Fax: 33-1-69-30-90-79</p> <p><b>Germany - Garching</b> Tel: 49-8931-9700</p> <p><b>Germany - Haan</b> Tel: 49-2129-3766400</p> <p><b>Germany - Heilbronn</b> Tel: 49-7131-72400</p> <p><b>Germany - Karlsruhe</b> Tel: 49-721-625370</p> <p><b>Germany - Munich</b> Tel: 49-89-627-144-0 Fax: 49-89-627-144-44</p> <p><b>Germany - Rosenheim</b> Tel: 49-8031-354-560</p> <p><b>Israel - Ra'anana</b> Tel: 972-9-744-7705</p> <p><b>Italy - Milan</b> Tel: 39-0331-742611 Fax: 39-0331-466781</p> <p><b>Italy - Padova</b> Tel: 39-049-7625286</p> <p><b>Netherlands - Drunen</b> Tel: 31-416-690399 Fax: 31-416-690340</p> <p><b>Norway - Trondheim</b> Tel: 47-72884388</p> <p><b>Poland - Warsaw</b> Tel: 48-22-3325737</p> <p><b>Romania - Bucharest</b> Tel: 40-21-407-87-50</p> <p><b>Spain - Madrid</b> Tel: 34-91-708-08-90 Fax: 34-91-708-08-91</p> <p><b>Sweden - Gothenberg</b> Tel: 46-31-704-60-40</p> <p><b>Sweden - Stockholm</b> Tel: 46-8-5090-4654</p> <p><b>UK - Wokingham</b> Tel: 44-118-921-5800 Fax: 44-118-921-5820</p>

## Single Port Outdoor Midspan User Guide

---

---

### Einleitung

---

**Anmerkung:** This translated document is provided as a courtesy and is for reference only. For the most up-to-date information, refer to the latest English version of the document (Document Number: DS50003422, Revision A).

Der PD-9001GCO, PD-9501GCO und PD-9601GCO von Microchip ist ein IEEE® 802.3bt Gigabit PoE-Midspan für den Außenbereich mit einem Anschluss, der eine kostengünstige, IEEE® 802.3at/bt-konforme Lösung bietet, die eine Leistung von 30 W/60 W/90 W garantiert und einen sicheren und zuverlässigen Betrieb in Außenumgebungen für Standard-PoE-Datenendgeräte gewährleistet. Diese Midspans unterstützen Datenübertragungsraten von 10/100/1000 Mbps und werden über eine breite Palette von AC-Eingängen (100 V<sub>AC</sub> bis 240 V<sub>AC</sub>) mit Strom versorgt. Diese Midspans sind IP67-zertifiziert und haben einen erweiterten Temperaturbereich für die Installation im Außenbereich. In einer typischen Installation versorgen die Midspans Außengeräte wie WLAN AP, WLAN Mesh oder eine IP-Kamera mit Strom.

Diese Geräte bieten Überspannungsschutz sowohl für die AC- als auch für die PoE-Ports, sodass die Innengeräte vor Überspannungen im Freien geschützt sind.

Der PoE-Midspan versorgt Geräte, die PoE-fähig oder für den Empfang von PoE ausgerüstet sind. Diese Geräte werden als Powered Devices (PDs) bezeichnet.

**Anmerkung:** Dieses Benutzerhandbuch enthält Installationsinformationen für die PoE-Midspan-Geräte PD-9001GCO, PD-9501GCO und PD-9601GCO. Diese Geräte werden im folgenden Abschnitt dieses Dokuments als PD-9x01GCO PoE-Midspan-Geräte bezeichnet.

### Funktionen und Merkmale

---

PoE-Midspans bieten folgende Hauptmerkmale:

- Für den Außenbereich geeignet: IP67
- Erweiterter Temperaturbereich
- Unterstützt Datenraten von 10/100/1000 Mbps
- Konform mit den Standards: IEEE 802.3at/bt
- Plug-and-Play-Montage
- Inklusive integrierter Überspannungsschutz/Blitzschutz

---

---

# Inhalt

---

Einleitung.....	1
Funktionen und Merkmale.....	1
1. Normen und Sicherheitsrichtlinien.....	4
1.1. Elektrische Kompatibilitäts-Zulassungen.....	4
1.2. Sicherheitsstandard-Zulassungen.....	4
1.3. CE-Kennzeichnung.....	4
1.4. GS/D-Übereinstimmung.....	4
1.5. Überspannungs-/Blitzschutz.....	4
1.6. Schutz vor Staub und Wasser.....	5
1.7. Weitere Normen und Zulassungen.....	5
1.8. Sicherheitshinweise.....	5
2. Information en Matière de Sécurité.....	6
2.1. Directives Générales.....	6
2.2. Mises en Garde.....	6
3. Installation des PoE Midspan-Geräts.....	7
3.1. Teileliste.....	7
3.2. Zusätzliche Werkzeuge.....	7
3.3. Installation.....	8
4. Installation der Kabel.....	16
4.1. AC-Netzkabelinstallation.....	16
4.2. RJ45-Netzkabelinstallation.....	17
4.3. Daten- und Stromanschluss.....	19
5. Fehlersuche.....	20
5.1. Vorläufige Schritte.....	20
5.2. Schritte zur Fehlersuche.....	20
6. Technische Daten.....	21
6.1. Umgebungsdaten.....	21
6.2. Elektrische Daten.....	21
6.3. Schnittstelle.....	21
7. Technischer Support.....	22
8. Überarbeitungsübersicht.....	23
Informationen zu Microchip.....	24
Die Microchip-Website.....	24
Produktbenachrichtigungsservice.....	24
Kunden-Support.....	24
Microchip Devices Code Protection Feature.....	24
Legal Notice.....	25
Warenzeichen.....	25
Qualitätsmanagementsystem.....	26

---

---

Weltweiter Vertrieb und Service.....	27
--------------------------------------	----

## 1. Normen und Sicherheitsrichtlinien

In diesem Kapitel werden die Normen und Sicherheitsrichtlinien für das Produkt beschrieben.

### 1.1 Elektrische Kompatibilitäts-Zulassungen

Die Microchip PoE-Midspan-Geräte entsprechen den folgenden Normen:

PD-9001GCO	PD-9501GCO	PD-9601GCO
EN61000-4-5 Klasse 5 (6 KV auf AC-Leitungen)		
EN55032		
EN55035		
FCC Teil 15		
—	—	EN61000-3-2
EN61000-3-3		
VCCI		

### 1.2 Sicherheitsstandard-Zulassungen

Die PoE-Midspan-Geräte PD-9x01GCO von Microchip erfüllen die folgenden Sicherheitsstandards. Wenden Sie sich an Microchip, um eine vollständige Liste der Sicherheitszertifizierungen zu erhalten.

- UL/IEC/EN 62368-1
- UL60950-22

### 1.3 CE-Kennzeichnung

Die CE-Kennzeichnung auf diesem Produkt zeigt an, dass dieses Produkt die Richtlinie zur elektromagnetischen Verträglichkeit (EMV) erfüllt.

### 1.4 GS/D-Übereinstimmung

Das GS-Zeichen auf diesem Produkt bedeutet, dass das Produkt dem deutschen Produktsicherheitsgesetz entspricht.

Die D-Kennzeichnung auf diesem Produkt zeigt an, dass das Produkt dem dänischen Produktsicherheitsgesetz entspricht.

### 1.5 Überspannungs-/Blitzschutz

Die PoE-Midspan-Geräte PD-9x01GCO von Microchip wurden entwickelt, um den folgenden Anforderungen zu entsprechen.

- GR-1089-CORE Blitzschutzanforderungen
- ITU K.21 Blitzschutz—Erweiterte Stufe

### 1.6 Schutz vor Staub und Wasser

Die PoE-Midspan-Geräte PD-9x01GCO von Microchip entsprechen den folgenden Anforderungen.

- IEC60529, Schutzklasse IP67
- NEMA 250, Stufe 4x

### 1.7 Weitere Normen und Zulassungen

Die PoE-Midspan-Geräte PD-9x01GCO von Microchip entsprechen den folgenden Anforderungen.

- PD-9001GCO/PD-9501GCO: IEEE 802.3at und IEEE 802.3af (PoE) Normen
- PD-9601GCO: IEEE 802.3bt (PoE) Normen
- RoHS-konform
- WEEE-konform
- REACH-konform

### 1.8 Sicherheitshinweise

Lesen Sie die Sicherheitshinweise, bevor Sie das PoE-Midspan-Gerät verwenden.

#### 1.8.1 Allgemeine Richtlinien

Lesen Sie die folgenden Sicherheitsinformationen, bevor Sie Installations-, Demontage- oder Wartungsarbeiten am PoE-Midspan durchführen. Die Warnhinweise enthalten Anweisungen, die für die Sicherheit von Personen und des Produkts befolgt werden müssen.

#### 1.8.2 Warnmeldungen

- Lesen Sie die Installationsanweisungen in [3. Installation des PoE Midspan-Geräts](#), bevor Sie das Midspan-Gerät an die Stromquelle anschließen.
- Beachten Sie beim Anschluss des PoE-Midspan-Geräts an die Stromquelle die grundlegenden Sicherheitsmaßnahmen für Elektrizität.
- Nur geschultes und qualifiziertes Personal darf dieses Gerät installieren, ersetzen und warten.
- Eine falsche Spannung kann das Gerät beschädigen und eine Brandgefahr darstellen. Wenn die auf dem Etikett angegebene Spannung nicht mit der Spannung der Steckdose übereinstimmt, darf das Midspan-Gerät nicht an diese Steckdose angeschlossen werden.
- Alle Verdrahtungen und Anschlüsse müssen der NFPA 70 (NEC) entsprechen.
- Das Netzkabel darf nicht an der Oberfläche des Gebäudes befestigt werden oder durch Wände, Decken, Böden und ähnliche Öffnungen in der Gebäudestruktur führen.
- Es müssen Maßnahmen ergriffen werden, um physische Schäden am Netzkabel zu vermeiden, einschließlich einer ordnungsgemäßen Verlegung.
- Die Daten- sowie Daten- und Stromausgangsports des Midspan-Geräts sind geschirmte RJ45-Datenbuchsen. Sie können nicht als Plain Old Telephone Service (POTS)-Buchsen verwendet werden. Schließen Sie nur RJ45-Datenstecker an diese Buchsen an.
- Beachten Sie bei der Entsorgung dieses Produkts alle örtlichen Gesetze und Vorschriften.

## 2. Information en Matière de Sécurité

Lire les informations suivantes en matière de sécurité avant d'utiliser d'activer l'alimentation sur votre appareil Ethernet unité midspan.

### 2.1 Directives Générales

Lire les informations suivantes en matière de sécurité avant d'installer ou enlever quoi que ce soit, ou procéder à l'entretien de l'alimentation de votre appareil Ethernet midspan. Les mises en garde contiennent des instructions qui doivent être suivies pour la sécurité des personnes et du produit. Suivre les instructions soigneusement.

### 2.2 Mises en Garde

- Lire les instructions d'installation dans [3. Installation des PoE Midspan-Geräts](#) avant de connecter le midspan à une source d'alimentation.
- Suivre les mesures de sécurité électrique de base lors de la connexion de l'injecteur PoE à sa source d'alimentation.
- Seul du personnel formé et qualifié doit être autorisé à installer, remplacer et entretenir cet équipement.
- Une disparité de voltage peut endommager l'équipement et constituer un risque d'incendie. Si le voltage indiqué sur l'étiquette est différent du voltage de la source d'alimentation, ne pas connecter le midspan à cette prise.
- Tout le câblage et les connexions doivent être conformes à la norme NFPA 70 (NEC).
- Le cordon d'alimentation ne doit pas être fixé à la surface du bâtiment ni passer à travers les murs, les plafonds, les planchers et les ouvertures similaires de la structure du bâtiment.
- Des mesures doivent être prises pour éviter tout dommage physique au cordon d'alimentation, y compris son acheminement correct.
- Les ports **Data** et **Data et Power** du PoE midspan sont des prises de données blindées RJ45. Elles ne peuvent pas être utilisées comme prises de service téléphonique traditionnel. Connecter seulement des connecteurs de données RJ45 à ces prises. Le câblage Ethernet connexe doit être limité à l'intérieur de l'immeuble.
- Pour disposer/jeter ce produit, suivre les lois et règlements locaux.

## 3. Installation des PoE Midspan-Geräts

In diesem Kapitel wird das Verfahren beschrieben, wie das Midspan-Gerät installiert wird.

**Hinweis:** Verwenden Sie kein gekreuztes Kabel zwischen dem PoE-Midspan-Ausgangs-Port und dem Lastgerät.

**Achtung:**

1. Achten Sie beim Anschließen der AC-Stromeingangsklemmen besonders darauf, dass **N**, **L** und **Erdung** mit der richtigen Polarität angeschlossen werden.
2. Stellen Sie sicher, dass die AC-Stromleistung innerhalb des zulässigen Bereichs liegt.
3. Die Erdungsschraube muss bei allen Installationsarten mit der Erdung verbunden werden.

### 3.1 Teileliste

In der folgenden Tabelle sind die im Kit enthaltenen Teile aufgeführt.

Menge	Bauteil
1	30 W/60 W/90 W Midspan-Gerät, Modell für den Außenbereich
1	AC-Buchse
1	Kurzanleitung zur Montage

### 3.2 Zusätzliche Werkzeuge

In der folgenden Tabelle finden Sie die zusätzlichen Werkzeuge, die für die Installation des Midspan-Geräts erforderlich sind.

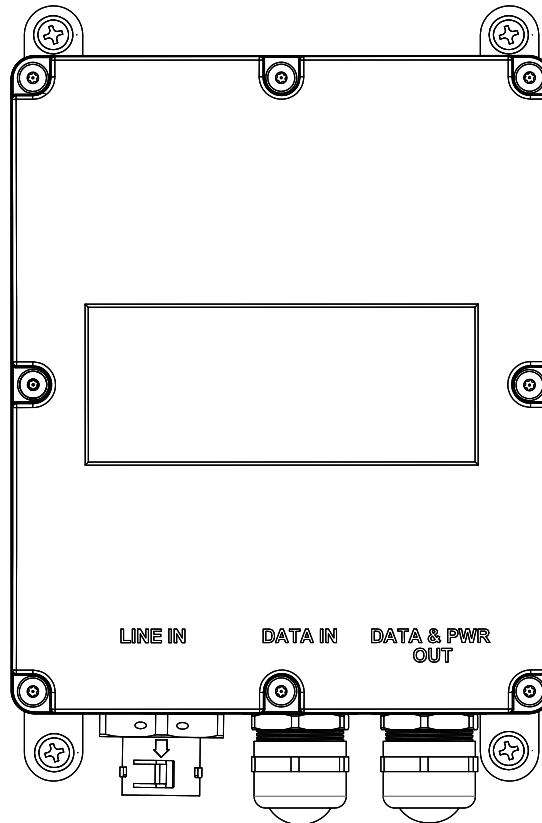
Menge	Teil
1	Schraubendreher
1	Abisolierzange
1	Schraubenschlüssel Nr. 27 oder verstellbarer Schraubenschlüssel

## 3.3 Installation

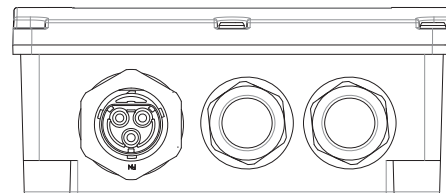
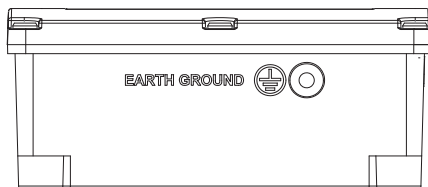
In diesem Abschnitt werden die Voraussetzungen und verfügbaren Installationsoptionen für das Midspan-Gerät beschrieben.

Die folgende Abbildung zeigt eine Übersicht des Midspan-Geräts.

**Abbildung 3-1. Produktübersicht—Ansicht von vorne**



**Abbildung 3-2. Produktübersicht—Ansicht von oben**      **Abbildung 3-3. Produktübersicht—Ansicht von unten**



### 3.3.1 Voraussetzungen

Beachten Sie die folgenden Punkte, bevor Sie das PoE-Midspan-Gerät an einem festen Ort montieren:

- Um einen wetterfesten Anschluss sicherzustellen und um der IEC60529 Stufe IP67 zu entsprechen. Der AC-Netzstecker des PoE-Midspan muss an eine wetterfeste AC-Stromquelle angeschlossen werden.
- Decken Sie den Midspan nicht ab und blockieren Sie den Luftstrom zum PoE nicht mit Fremdkörpern.
- Halten Sie den Midspan fern von übermäßiger Hitze und frei von Vibrationen.
- Stellen Sie sicher, dass die Kabellänge von der Ethernetnetzwerkquelle bis zum Endgerät 100 Meter (330 Fuß) nicht überschreitet. Dieser Midspan ist kein Repeater und verstärkt das Ethernetdatensignal nicht.
- Der Midspan hat keinen EIN/AUS-Schalter, schließen Sie den Midspan einfach an eine AC-Stromquelle an.

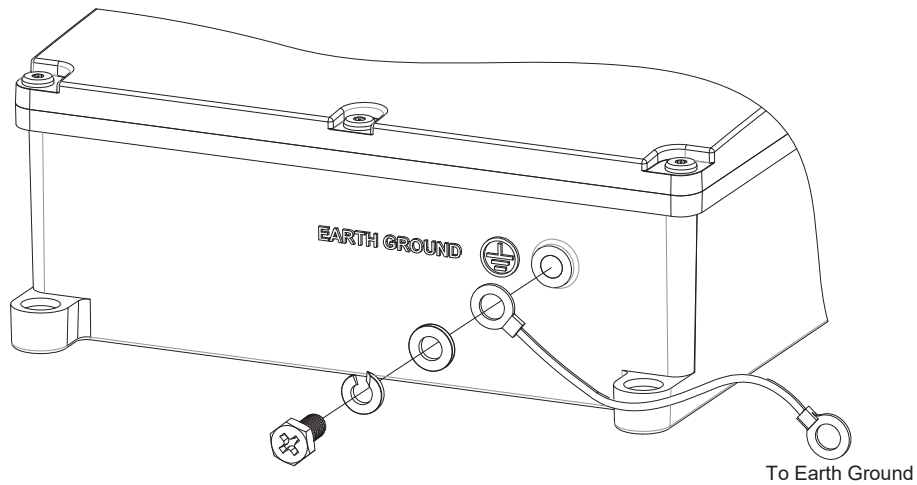
- PoE-Midspan-AC-Stromleitungen sollten an eine Steckdose angeschlossen werden, die in der Nähe des Geräts montiert und leicht zugänglich sein sollte.

### 3.3.2 Erdungsanschluss

**Anmerkung:** Schließen Sie den Midspan nur dann an Erdung an, wenn Sie das vormontierte Erdungskabel ersetzen.

1. Verbinden Sie den Gehäusebolzen mit dem Erdungspunkt auf der Rückseite des Midspan.
2. Verbinden Sie das andere Ende des Erdungskabels mit der Erdung an Ihrem Installationsort.
3. Ziehen Sie die Schraube auf 1,1 bis 1,7 Nm an.

**Abbildung 3-4. Erdungsanschluss**



## 3.3.3 Montageoptionen

Im Folgende finden Sie die zwei Optionen für die Montage dieser Midspan-Geräte:

1. **Wandmontage**—Das PoE-Midspan-Gerät kann mit Hilfe der Montagelöcher an einer Wand/Werkbank (alle Arten von flachen Oberflächen wie Holz, Ziegel, Beton usw.) montiert werden.



Montieren Sie das Midspan-Gerät nur an festen Wänden, nicht an Trockenbau- oder Gipskartonwänden.

2. **Mastmontage**—Unter Verwendung des optionalen Montagekits.  
**Anmerkung:** Das optionale Montagekit ist nicht im Lieferumfang des Midspan-Geräts enthalten. Kontaktieren Sie [7. Technischer Support](#) für mehr Informationen zum Bestellen des Montagekits (Teilenummer: PD-OUT/MBK/GCO oder PD-OUT/MBK/ET).

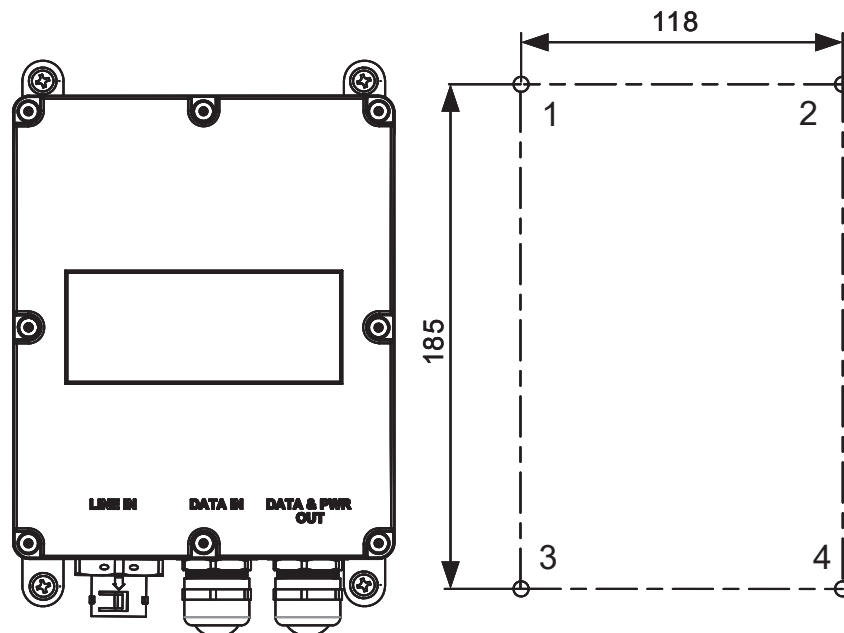
### 3.3.3.1 Wandmontage

Gehen Sie wie folgt vor, um das Gerät direkt an einer Wand zu befestigen.

1. Verwenden Sie die Schraubenlöcher des Midspan als Schablone, markieren Sie die Bohrpunkte auf der Montageoberfläche (eine Wand aus Holz, Ziegel oder Beton) und bohren Sie vier Löcher.
2. Wenn das Gerät an der Montageoberfläche befestigt ist, führen Sie vier Montageschrauben durch die Schrauböffnungen am Gerät und in die Montageoberfläche ein.

#### Anmerkungen:

- Verwenden Sie für eine Ziegel- oder Betonwand Dübel mit Schrauben (mindestens 5 mm x 40 mm) und für eine Holzwand Holzschrauben (5 mm x 40 mm).
  - Die Schrauben sind nicht im Lieferumfang des Kits enthalten.
3. Ziehen Sie jede Schraube an, bis der Midspan sicher an der Montageoberfläche befestigt ist.



**Anmerkung:** Die Abmessungen in der obigen Abbildung sind in Millimeter angegeben.

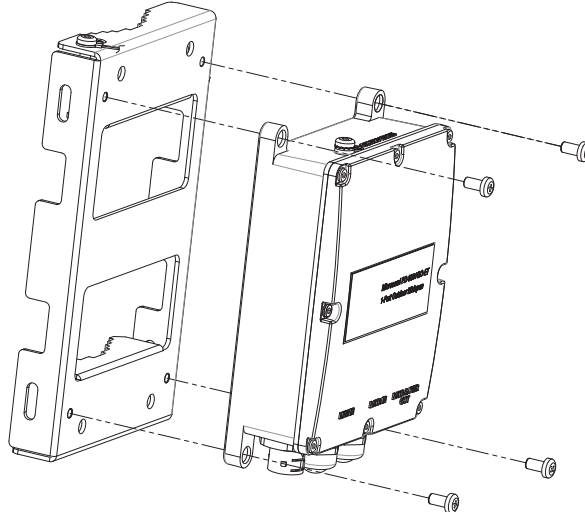
### 3.3.3.2 Mastmontage

Im Folgende finden Sie die zwei Optionen für die Mastmontage dieses Midspan-Geräts.

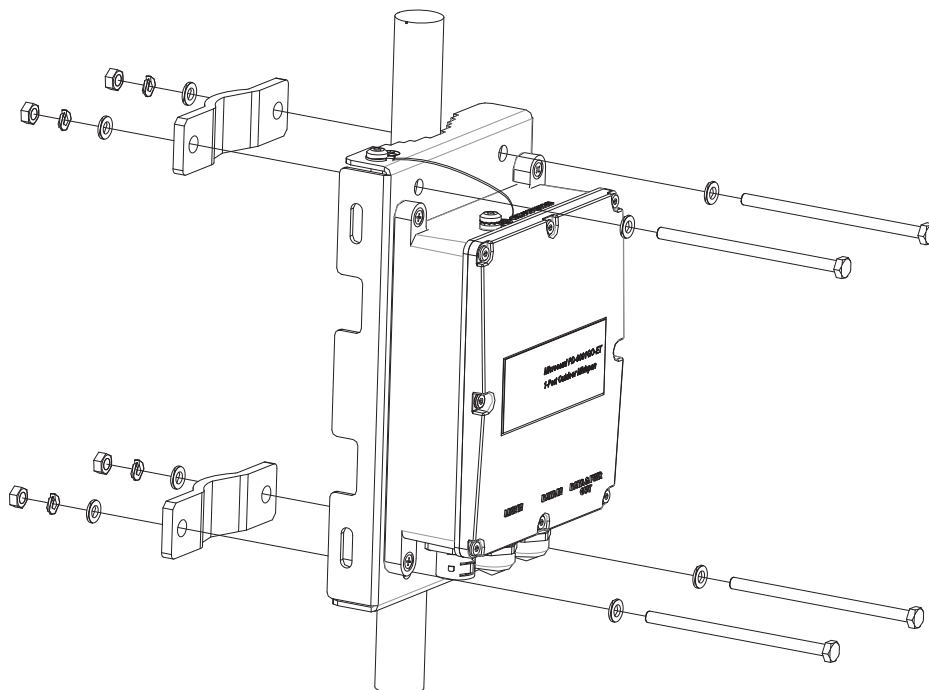
#### 3.3.3.2.1 Mastmontage - mit PD-OUT/MBK/ET-Kit

Stellen Sie vor der Montage des Midspan sicher, dass alle in der Teileliste aufgeführten Teile vorhanden sind. Sollten Teile fehlen, benachrichtigen Sie Ihren Vertriebs- oder Kundendienstmitarbeiter von Microchip.

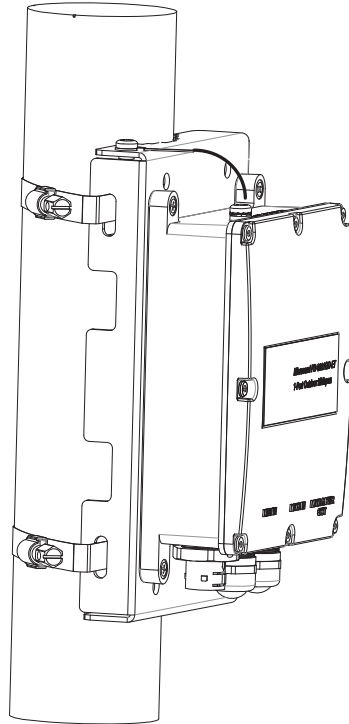
1. Montieren Sie den Midspan mit vier Flachkopfschrauben an der Montagehalterung des Mastmontageadapters.



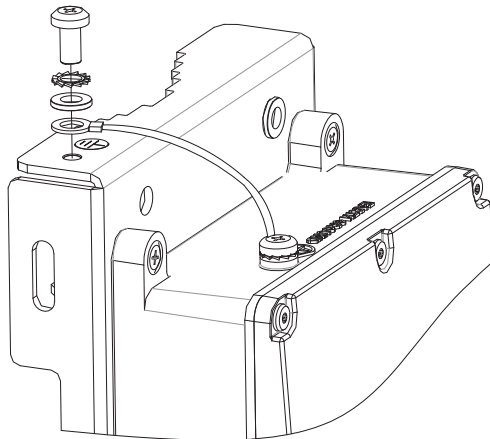
2. Montieren Sie die Montagehalterung am Mast. Verwenden Sie je nach Durchmesser des Mastes die entsprechenden Bauteile.
  - a. **Mast mit einem kleinen Durchmesser:** In der folgenden Teileliste sind die Bauteile aufgeführt, die für die Montage der Metallhalterung an einem Mast mit einem Durchmesser von 25 mm bis 76 mm (1 Zoll bis 3 Zoll) erforderlich sind.



- b. **Mast mit einem großen Durchmesser:** In der folgenden Teileliste sind die Bauteile aufgeführt, die für die Montage der Metallhalterung an einem Mast mit einem Durchmesser von 76 mm bis 203 mm (3 Zoll bis 8 Zoll) erforderlich sind.



3. Verbinden Sie bei Masten mit kleinem und großem Durchmesser den Erdungsbolzen mit dem Erdungspunkt des Montage-Kits.



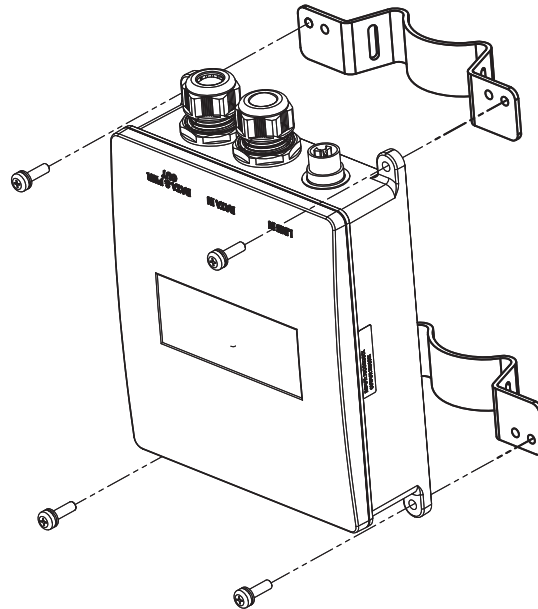
**Achtung:** Die Halterung muss mit der Erdung verbunden sein.

### 3.3.3.2.2 Mastmontage - mit PD-OUT/MBK/GCO-Kit

Stellen Sie vor der Montage des Midspan sicher, dass alle in der [3.1. Teileliste](#) aufgeführten Teile in dem Kit vorhanden sind. Sollten Teile fehlen, benachrichtigen Sie Ihren Vertriebs- oder Kundendienstmitarbeiter von Microchip.

Gehen Sie wie folgt vor, um das Gerät mithilfe einer Montagehalterung an einem Mast zu befestigen.

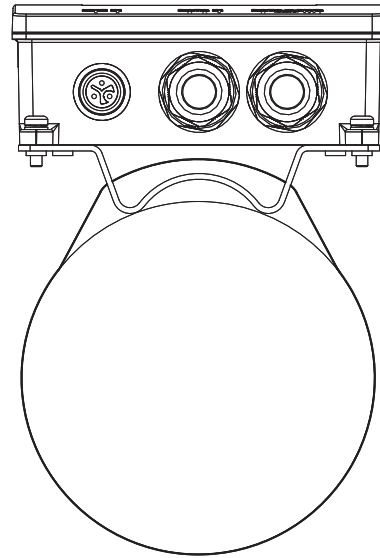
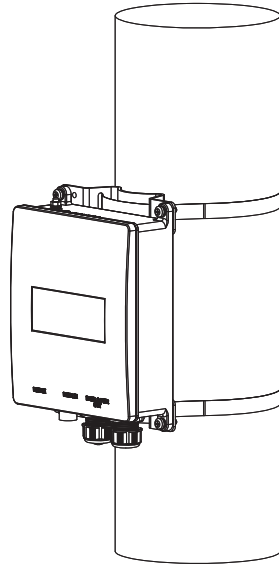
1. Montieren Sie die Masthalterung mit vier Flachkopfschrauben an den Midspan und ziehen Sie die Flachkopfschrauben auf 1,1 Nm an.



2. Setzen Sie die Midspan-/Masthalterungsbaugruppe auf den Mast. Ziehen Sie die Midspan-/Masthalterungsbaugruppe mit Schneckenschrauben am Mast fest, wie in den folgenden Abbildungen gezeigt.

**Anmerkungen:**

- Die Masthalterung unterstützt Masten mit einem Durchmesser von 60 mm bis 200 mm (2,5 Zoll bis 8 Zoll).
- Das Gerät muss so installiert werden, dass die Dateneingangs- und Datenausgangs- sowie Stromausgangs-Ports (DATA IN und DATA & PWR OUT) nach unten zeigen, wie in den folgenden Abbildungen dargestellt.



## 4. Installation der Kabel

In diesem Kapitel wird das Verfahren beschrieben, wie die Kabel an das Midspan-Gerät angeschlossen werden.

### 4.1 AC-Netzkabelinstallation

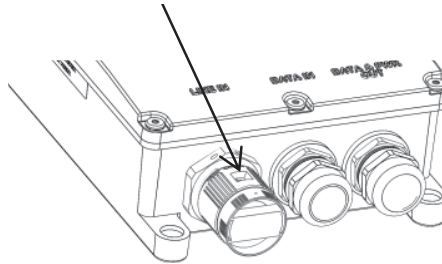
In der folgenden Tabelle sind die AC-Netzkabelspezifikationen aufgeführt.

**Tabelle 4-1. AC-Netzkabelspezifikationen**

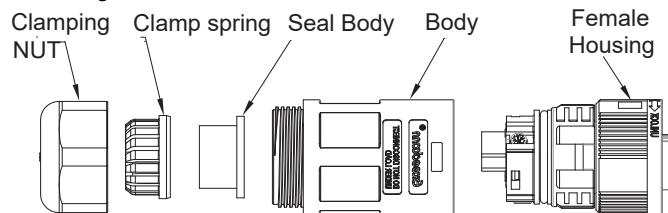
Parameter	Wert
Empfohlener Kabeltyp	Nordamerika — SJOW oder SOOW Weltweit — H05RN-F oder H07RN-F
Nennspannung	300 V (oder besser wird empfohlen)
Temperaturbereich	-40 °C bis 65 °C (oder besser wird empfohlen)
Kabelgröße	16 AWG – 18 AWG 3C 1,0 mm <sup>2</sup> – 1,5 mm <sup>2</sup> 3C
Kabelaußenmaße	∅ 6,0 mm – 10 mm
Zugelassen für Anwendungen im Innen- und Außenbereich.	

Befolgen Sie das Verfahren, zum Anschließen des AC-Kabels an das Midspan-Gerät.

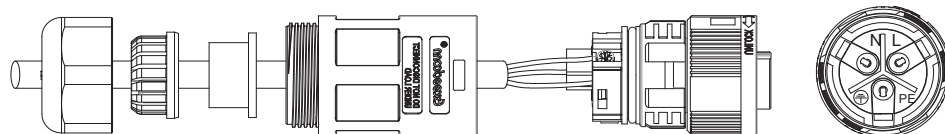
1. Drücken und drehen Sie die Kappe mit einem Schraubendreher gegen den Uhrzeigersinn, um sie zu entriegeln. Entfernen Sie die Kappe von dem Midspan-Gerät.



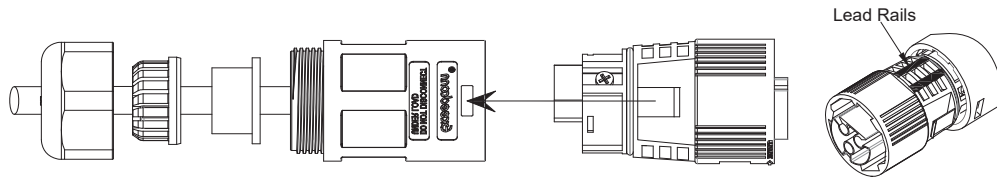
2. Der Stecker besteht aus den folgenden Teilen.



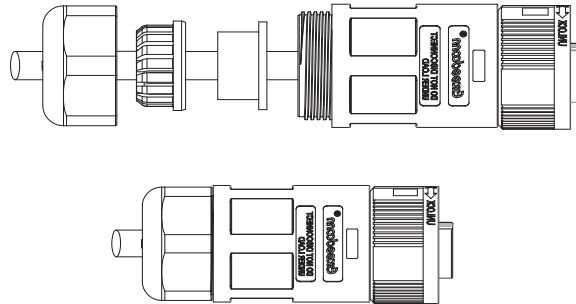
3. Führen Sie das AC-Kabel durch die Teile, quetschen Sie es und schrauben Sie die Adern mit einem Drehmoment von 0,8 Nm fest.



4. Schieben Sie das Gehäuse entsprechend den Führungsschienen in das andere Gehäuse, wie in der folgenden Abbildung gezeigt.



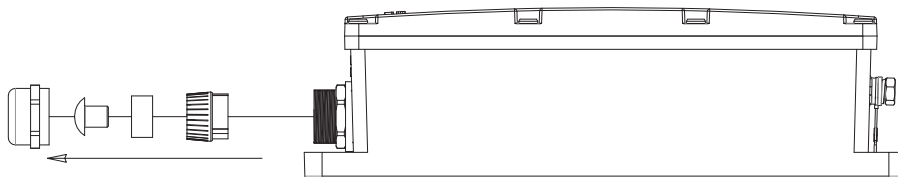
5. Setzen Sie die Dichtung und die Klemmfeder in das Gehäuse ein und ziehen Sie die Mutter mit einem Drehmoment von 4 Nm an.



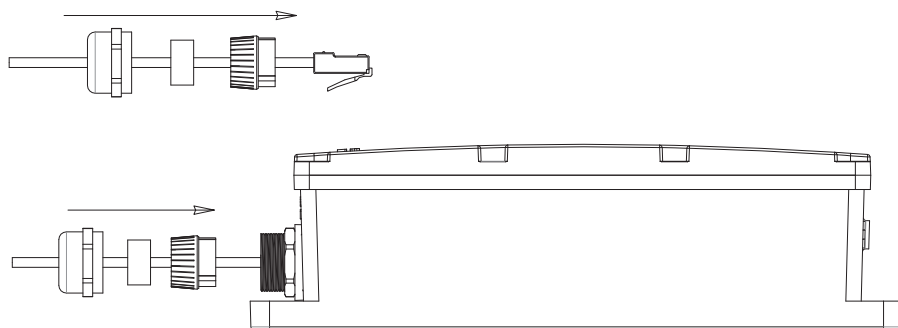
## 4.2 RJ45-Netzkabelinstallation

Die folgenden Schritte zeigen, wie das RJ45-Netzkabel an das Midspan-Gerät angeschlossen wird.

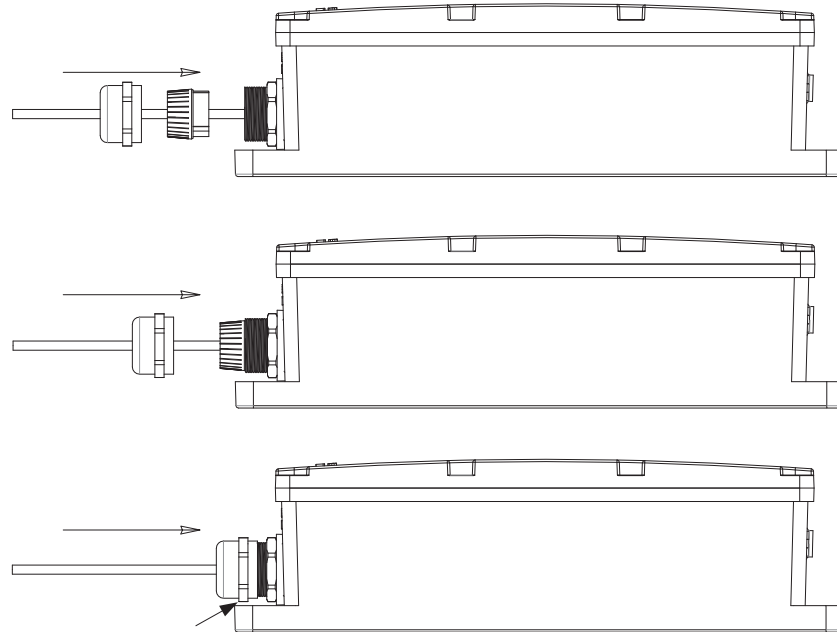
1. Entfernen Sie die obere Kappe, den Blindstopfen und die Unterlegscheibe vom **Dateneingangs-Port (DATA IN)**.



2. Führen Sie das Kabel durch die obere Kappe und die Unterlegscheibe und stecken Sie es in den **Dateneingangs-Port (DATA IN)**.



3. Schieben Sie die Unterlegscheibe sowie die obere Kappe in Richtung Midspan und ziehen Sie die obere Kappe am **Dateneingangs-Port (DATA IN)** handfest an.  
**Anmerkung:** Sichern Sie die Verschraubung, bis die Gummidichtung fest um das Kabel geschlossen ist.



Need to secure gland till rubber gasket is tightly closed around the cable

4. Wiederholen Sie Schritt 1 bis Schritt 3, um das RJ45-Kabel an den **Daten- und PWR-Ausgangs-Port (DATA und PWR OUT)** anzuschließen.
5. Überprüfen Sie den Anschluss an das AC-Stromnetz.

### Anmerkungen:

1. Der PoE-Midspan wird mit wasserdichten Abdeckkappen für den RJ45-Stecker mit 2 Anschlüssen geliefert.
2. Der AC<sub>IN</sub>-Stecker ist im Lieferumfang des PoE-Midspan enthalten.
3. AC-Netzkabel, Ethernetkabel und RJ45-Stecker sind nicht im Lieferumfang des PoE-Midspan enthalten.
4. Für nicht AF/AT-konforme Geräte – verwenden Sie einen Splitter; stellen Sie sicher, dass der Splitter in der Nähe des Endgeräts und nicht am Midspan angeschlossen ist.
5. Diese Geräte sind nur zum Verwenden im Außenbereich vorgesehen.

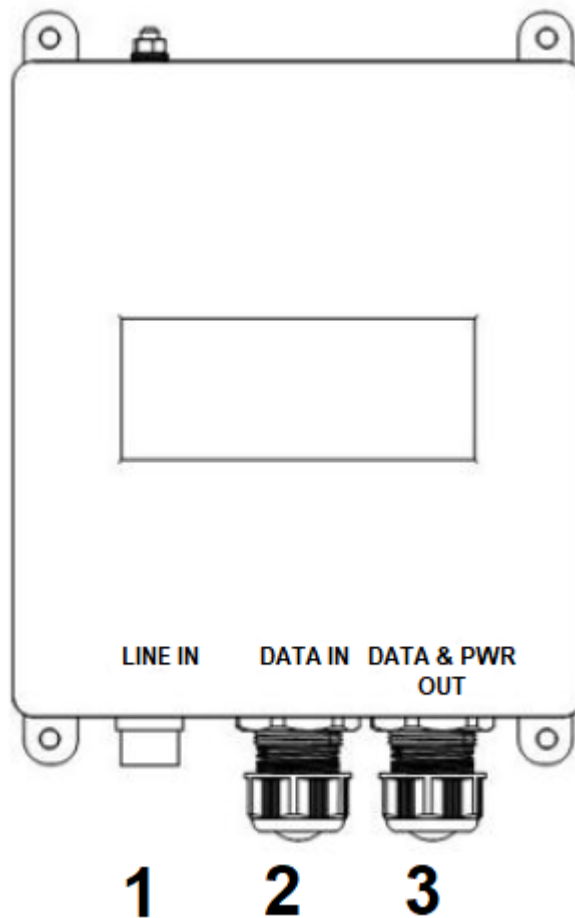
### 4.3 Daten- und Stromanschluss

**Anmerkung:** Der Midspan hat keinen EIN/AUS-Schalter, schließen Sie den Midspan einfach an eine AC-Stromquelle an.

Befolgen Sie das Verfahren zum Anschließen der Daten- und Stromquelle an das Midspan-Gerät.

1. Verbinden Sie die **Dateneingangs**-Buchse (**DATA IN**) (Eingang) des Midspan mit dem entfernten Ethernet-Netzwerk (Element 2 in der folgenden Abbildung).
2. Verbinden Sie die **Daten- und PWR-Ausgangs**-Buchse **DATA & PWR OUT** (Ausgang) des Midspan mit dem entfernten Ethernet-Netzwerk (Element 3 in der folgenden Abbildung).
3. Verbinden Sie die AC-Stromleitungen vom **LINE IN**-Anschluss (Element 1 in der folgenden Abbildung) mit dem AC-Netzstrom. Stellen Sie sicher, dass die Steckdose in der Nähe und leicht zugänglich ist.

**Anmerkung:** Schließen Sie das Midspan-Gerät an eine wetterfeste AC-Stromquelle an, die den Schutzklassen IP66 und IP67 entspricht.



	Etikett	Beschreibung
1	LINE IN	Netzeingang, 100 V <sub>AC</sub> –240 V <sub>AC</sub>
2	DATA IN	Dateneingang zum Ethernet (Netzwerk)-Switch
3	DATA & PWR OUT	Daten- und Stromausgang zum Ethernet-Terminal

## 5. Fehlersuche

In diesem Kapitel werden die Verfahren zur Fehlersuche beschrieben, um etwaige Probleme mit dem Midspan-Gerät zu beheben.

### 5.1 Vorläufige Schritte

Wenn ein Problem auftritt, überprüfen Sie die folgenden Punkte:

- Das Midspan-Gerät wird mit Strom versorgt.
- Es wurde kein gekreuztes Ethernet-Kabel verwendet.
- Das Ethernet-Kabel vom Netzwerk ist an den **Dateneingangs-Port (Data In)** angeschlossen.
- Das Ethernet-Kabel zum PD ist an den **Daten- und Stromausgangs-Port (Data und Power Out)** angeschlossen.
- Die Kabelpaare sind an die entsprechenden Ports angeschlossen.

### 5.2 Schritte zur Fehlersuche

Die folgende Tabelle enthält eine Problem- und Lösungsreihenfolge zur Unterstützung bei der Fehlersuche bei kleineren Betriebsproblemen. Falls die folgenden Schritte Ihr Problem nicht lösen, wenden Sie sich an Ihren Händler, um weitere Unterstützung zu erhalten.

**Tabelle 5-1. Schritte zur Fehlersuche**

Problem	Korrekturmaßnahmen
Der Midspan lässt sich nicht einschalten	<ol style="list-style-type: none"> <li>1. Überprüfen Sie, ob ein betriebssicheres Netzkabel verwendet wird.</li> <li>2. Stellen Sie sicher, dass das Netzkabel richtig angeschlossen ist.</li> <li>3. Stellen Sie sicher, dass die Spannung am Netzeingang im Bereich von 100 V<sub>AC</sub> – 240 V<sub>AC</sub> liegt.</li> <li>4. Trennen Sie das Gerät von der Stromversorgung, verbinden Sie es erneut während des Einschaltvorgangs.</li> </ol>
PD funktioniert nicht	<ol style="list-style-type: none"> <li>1. Stellen Sie sicher, dass der Port aktiviert ist (der Midspan hat keinen PD erkannt).</li> <li>2. Stellen Sie sicher, dass der PD für den PoE-Betrieb ausgelegt ist.</li> <li>3. Stellen Sie sicher, dass Sie ein gerade verdrahtetes Standardkabel der Kategorie 5/5e/6 mit vier Paaren je nach Datenrate verwenden.</li> <li>4. Falls ein externer Stromsplitter verwendet wird, ersetzen Sie ihn durch einen anderen brauchbaren Splitter.</li> <li>5. Stellen Sie sicher, dass die Datenquelle mit dem <b>Dateneingangs-Port (Data In)</b> verbunden ist.</li> <li>6. Stellen Sie sicher, dass das PD an den <b>Daten- und Stromausgangs-Port (Data und Power Output)</b> angeschlossen ist.</li> <li>7. Stellen Sie sicher, dass es keinen Kurzschluss über eines der Twisted-Pair-Kabel oder über die RJ45-Anschlüsse gibt.</li> </ol>
Das Endgerät funktioniert, aber es besteht keine Datenverbindung.	<ol style="list-style-type: none"> <li>1. Falls ein externer Stromsplitter verwendet wird, ersetzen Sie ihn durch einen anderen brauchbaren Splitter.</li> <li>2. Stellen Sie sicher, dass Sie für diese Verbindung ein gerades (nicht gekreuztes) Standard-UTP/FTP-Kabel der Kategorie 5 mit allen vier Paaren verwenden.</li> <li>3. Stellen Sie sicher, dass die Länge des Ethernet-Kabels von der Ethernet-Quelle zum Remote-Endgerät weniger als 100 Meter beträgt.</li> </ol>

## 6. Technische Daten

Dieses Kapitel listet die technischen Daten des Midspan-Geräts PD-9x01GCO PoE auf.

### 6.1 Umgebungsdaten

Tabelle 6-1. Umgebungsdaten

Modus	Temperatur		Luftfeuchtigkeit
	PD-9001GCO/PD-9501GCO	PD-9601GCO	
Betrieb	-40 °C bis 65 °C -40 °F bis 149 °F	-40 °C bis 60 °C -40 °F bis 131 °F	10 % bis 90 % (nicht kondensierend)
Lagerung	-40 °C bis 85 °C -40 °F bis 185 °F		

### 6.2 Elektrische Daten

Tabelle 6-2. Elektrische Daten

Parameter	PD-9001GCO	PD-9501GCO	PD-9601GCO
	Wert		
Eingangsspannung	100 V <sub>AC</sub> – 240 V <sub>AC</sub> (50 Hz/60 Hz)		
Eingangsstrom	1,4 A (maximal)		1,3 A (maximal)
Verfügbare Ausgangsleistung (maximal)	30 W	60 W	90 W
Nennausgangsspannung	54 V <sub>DC</sub>		

### 6.3 Schnittstelle

Tabelle 6-3. Schnittstelle

Parameter	Typ	
	PD-9001GCO	PD-9501GCO/PD-9601GCO
Eingang (Data In): Ethernet 10/100/1000Base-T	RJ45-Buchse	RJ45-Buchse
Ausgang (DATA PWR OUT): Ethernet 10/100/ 1000, plus 54 V <sub>DC</sub>	RJ45-Buchse, mit DC-Spannung auf Adernpaaren: 4 - 5 und 7 - 8	RJ45-Buchse, mit DC-Spannung auf Adernpaaren: 3 - 6, 4 - 5 und 1 - 2, 7 - 8
AC-Stromeingang (AC Power IN)	3 Pins AC-Stromeingang – Leitung, Neutral und Erdung	3 Pins AC-Stromeingang – Leitung, Neutral und Erdung

## 7. Technischer Support

Sollten bei der Installation oder Verwendung dieses Produkts Probleme auftreten, wenden Sie sich an den technischen Support von Microchip über die Webseite oder unter der folgenden Nummer:

### USA/Kanada

Telefon: +1 877 480 2323

Internet: [www.microchip.com/support](http://www.microchip.com/support)

### 8. Überarbeitungsübersicht

Überarbeitung	Datum	Beschreibung
A	10/2022	Erste Überarbeitung.

---

## Informationen zu Microchip

---

### Die Microchip-Website

---

Microchip bietet Online-Support über unsere Website unter [www.microchip.com/](http://www.microchip.com/). Diese Website dient dazu, Dateien und Informationen für Kunden leicht zugänglich zu machen. Einige der verfügbaren Inhalte umfassen:

- **Produkt-Support** – Datenblätter und Errata, Anwendungshinweise und Beispielprogramme, Design-Ressourcen, Benutzerhandbücher und Hardware-Support-Dokumente, aktuelle Software-Veröffentlichungen und archivierte Software
- **Allgemeiner technischer Support** – Häufig gestellte Fragen (FAQs), technische Support-Anfragen, Online-Diskussionsgruppen, Liste der Mitglieder des Microchip-Design-Partnerprogramms
- **Das Unternehmen Microchip** – Produktauswahl- und Bestellhandbücher, neueste Pressemitteilungen von Microchip, Auflistung von Seminaren und Veranstaltungen, Auflistung von Microchip Vertriebsbüros, Vertriebspartnern und Werksvertretern

### Produktbenachrichtigungsservice

---

Der Microchip-Benachrichtigungsservice für Produktänderungen hilft Kunden, über Microchip-Produkte auf dem Laufenden zu bleiben. Abonnenten werden per E-Mail benachrichtigt, wenn es Änderungen, Aktualisierungen, Überarbeitungen oder Fehler in Bezug auf eine bestimmte Produktfamilie oder ein bestimmtes Entwicklungstool von Interesse gibt.

Um sich zu registrieren, gehen Sie zu [www.microchip.com/pcn](http://www.microchip.com/pcn) und folgen Sie den Registrierungsanweisungen.

### Kunden-Support

---

Benutzer von Microchip-Produkten können über verschiedene Kanäle Unterstützung erhalten:

- Vertriebspartner oder Repräsentant
- Lokales Vertriebsbüro
- Embedded Solutions Ingenieur (ESE)
- Technischer Support

Kunden sollten sich an ihren Vertriebspartner, Vertreter oder ESE wenden, um Unterstützung zu erhalten. Lokale Vertriebsbüros stehen ebenfalls zur Verfügung, um Kunden zu unterstützen. Eine Liste der Vertriebsbüros und Standorte ist in diesem Dokument enthalten.

Technischer Support ist über die Website verfügbar unter: [www.microchip.com/support](http://www.microchip.com/support)

### Microchip Devices Code Protection Feature

---

Note the following details of the code protection feature on Microchip products:

- Microchip products meet the specifications contained in their particular Microchip Data Sheet.
- Microchip believes that its family of products is secure when used in the intended manner, within operating specifications, and under normal conditions.
- Microchip values and aggressively protects its intellectual property rights. Attempts to breach the code protection features of Microchip product is strictly prohibited and may violate the Digital Millennium Copyright Act.
- Neither Microchip nor any other semiconductor manufacturer can guarantee the security of its code. Code protection does not mean that we are guaranteeing the product is “unbreakable”. Code protection is constantly evolving. Microchip is committed to continuously improving the code protection features of our products.

---

## Legal Notice

---

This publication and the information herein may be used only with Microchip products, including to design, test, and integrate Microchip products with your application. Use of this information in any other manner violates these terms. Information regarding device applications is provided only for your convenience and may be superseded by updates. It is your responsibility to ensure that your application meets with your specifications. Contact your local Microchip sales office for additional support or, obtain additional support at [www.microchip.com/en-us/support/design-help/client-support-services](http://www.microchip.com/en-us/support/design-help/client-support-services).

THIS INFORMATION IS PROVIDED BY MICROCHIP "AS IS". MICROCHIP MAKES NO REPRESENTATIONS OR WARRANTIES OF ANY KIND WHETHER EXPRESS OR IMPLIED, WRITTEN OR ORAL, STATUTORY OR OTHERWISE, RELATED TO THE INFORMATION INCLUDING BUT NOT LIMITED TO ANY IMPLIED WARRANTIES OF NON-INFRINGEMENT, MERCHANTABILITY, AND FITNESS FOR A PARTICULAR PURPOSE, OR WARRANTIES RELATED TO ITS CONDITION, QUALITY, OR PERFORMANCE.

IN NO EVENT WILL MICROCHIP BE LIABLE FOR ANY INDIRECT, SPECIAL, PUNITIVE, INCIDENTAL, OR CONSEQUENTIAL LOSS, DAMAGE, COST, OR EXPENSE OF ANY KIND WHATSOEVER RELATED TO THE INFORMATION OR ITS USE, HOWEVER CAUSED, EVEN IF MICROCHIP HAS BEEN ADVISED OF THE POSSIBILITY OR THE DAMAGES ARE FORESEEABLE. TO THE FULLEST EXTENT ALLOWED BY LAW, MICROCHIP'S TOTAL LIABILITY ON ALL CLAIMS IN ANY WAY RELATED TO THE INFORMATION OR ITS USE WILL NOT EXCEED THE AMOUNT OF FEES, IF ANY, THAT YOU HAVE PAID DIRECTLY TO MICROCHIP FOR THE INFORMATION.

Use of Microchip devices in life support and/or safety applications is entirely at the buyer's risk, and the buyer agrees to defend, indemnify and hold harmless Microchip from any and all damages, claims, suits, or expenses resulting from such use. No licenses are conveyed, implicitly or otherwise, under any Microchip intellectual property rights unless otherwise stated.

## Warenzeichen

---

Der Name und das Logo von Microchip, das Microchip-Logo, Adaptec, AVR, AVR-Logo, AVR Freaks, BesTime, BitCloud, CryptoMemory, CryptoRF, dsPIC, flexPWR, HELDO, IGLOO, JukeBlox, KeeLoq, Kleer, LANCheck, LinkMD, maXStylus, maXTouch, MediaLB, megaAVR, Microsemi, Microsemi logo, MOST, MOST-Logo, MPLAB, OptoLyzer, PIC, picoPower, PICSTART, PIC32-Logo, PolarFire, Prochip Designer, QTouch, SAM-BA, SenGenuity, SpyNIC, SST, SST-Logo, SuperFlash, Symmetricom, SyncServer, Tachyon, TimeSource, tinyAVR, UNI/O, Vectron und XMEGA sind eingetragene Warenzeichen von Microchip Technology Incorporated in den U.S.A. und anderen Ländern.

AgileSwitch, APT, ClockWorks, The Embedded Control Solutions Company, EtherSynch, Flashtec, Hyper Speed Control, HyperLight Load, Libero, motorBench, mTouch, Powermite 3, Precision Edge, ProASIC, ProASIC Plus, ProASIC Plus-Logo, Quiet-Wire, SmartFusion, SyncWorld, Temux, TimeCesium, TimeHub, TimePictra, TimeProvider, TrueTime und ZL sind eingetragene Warenzeichen von Microchip Technology Incorporated in den U.S.A.

Adjacent Key Suppression, AKS, Analog-for-the-Digital Age, Any Capacitor, AnyIn, AnyOut, Augmented Switching, BlueSky, BodyCom, Clockstudio, CodeGuard, CryptoAuthentication, CryptoAutomotive, CryptoCompanion, CryptoController, dsPICDEM, dsPICDEM.net, Dynamic Average Matching, DAM, ECAN, Espresso T1S, EtherGREEN, GridTime, IdealBridge, In-Circuit Serial Programming, ICSP, INICnet, Intelligent Paralleling, IntelliMOS, Inter-Chip Connectivity, JitterBlocker, Knob-on-Display, KoD, maxCrypto, maxView, memBrain, Mindi, MiWi, MPASM, MPF, MPLAB Certified logo, MPLIB, MPLINK, MultiTRAK, NetDetach, Omniscient Code Generation, PICDEM, PICDEM.net, PICkit, PICtail, PowerSmart, PureSilicon, QMatrix, REAL ICE, Ripple Blocker, RTAX, RTG4, SAM-ICE, Serial Quad I/O, simpleMAP, SimpliPHY, SmartBuffer, Smart HLS, SMART-I.S., storClad, SSI, SuperSwitcher, SuperSwitcher II, Switchtec, SynchroPHY, Total Endurance, Trusted Time, TSHARC, USBCheck, VariSense, VectorBlox, VeriPHY, ViewSpan, WiperLock, XpressConnect und ZENA sind Warenzeichen von Microchip Technology Incorporated in den U.S.A. und anderen Ländern.

SQTP ist eine Dienstleistungsmarke von Microchip Technology Incorporated in den U.S.A.

Das Adaptec-Logo, Frequency on Demand, Silicon Storage Technology und Symmcom sind eingetragene Warenzeichen von Microchip Technology Inc. in anderen Ländern.

GestIC ist ein eingetragenes Warenzeichen von Microchip Technology Germany II GmbH & Co. KG, einer Tochtergesellschaft von Microchip Technology Inc., in anderen Ländern.

---

Alle anderen hier erwähnten Warenzeichen sind Eigentum der jeweiligen Unternehmen.

© 2022, Microchip Technology Incorporated und seine Tochtergesellschaften. Alle Rechte vorbehalten.

ISBN: 978-1-6683-1537-8

## Qualitätsmanagementsystem

---

Für Informationen über die Qualitätsmanagementsysteme von Microchip besuchen Sie bitte [www.microchip.com/quality](http://www.microchip.com/quality).

## Weltweiter Vertrieb und Service

NORD- UND SÜDAMERIKA	ASIEN/PAZIFIK	ASIEN/PAZIFIK	EUROPA
<b>Firmensitz</b> 2355 West Chandler Blvd. Chandler, AZ 85224-6199 Tel.: 480-792-7200 Fax: 480-792-7277 Technischer Support: <a href="http://www.microchip.com/support">www.microchip.com/support</a> Webadresse: <a href="http://www.microchip.com">www.microchip.com</a>	<b>Australien - Sydney</b> Tel.: 61-2-9868-6733 <b>China - Beijing</b> Tel.: 86-10-8569-7000 <b>China - Chengdu</b> Tel.: 86-28-8665-5511 <b>China - Chongqing</b> Tel.: 86-23-8980-9588 <b>China - Dongguan</b> Tel.: 86-769-8702-9880 <b>China - Guangzhou</b> Tel.: 86-20-8755-8029 <b>China - Hangzhou</b> Tel.: 86-571-8792-8115 <b>China - Hongkong SAR</b> Tel.: 852-2943-5100 <b>China - Nanjing</b> Tel.: 86-25-8473-2460 <b>China - Qingdao</b> Tel.: 86-532-8502-7355 <b>China - Shanghai</b> Tel.: 86-21-3326-8000 <b>China - Shenyang</b> Tel.: 86-24-2334-2829 <b>China - Shenzhen</b> Tel.: 86-755-8864-2200 <b>China - Suzhou</b> Tel.: 86-186-6233-1526 <b>China - Wuhan</b> Tel.: 86-27-5980-5300 <b>China - Xian</b> Tel.: 86-29-8833-7252 <b>China - Xiamen</b> Tel.: 86-592-2388138 <b>China - Zhuhai</b> Tel.: 86-756-3210040	<b>Indien - Bangalore</b> Tel.: 91-80-3090-4444 <b>Indien - Neu-Delhi</b> Tel.: 91-11-4160-8631 <b>Indien - Pune</b> Tel.: 91-20-4121-0141 <b>Japan - Osaka</b> Tel.: 81-6-6152-7160 <b>Japan - Tokio</b> Tel.: 81-3-6880-3770 <b>Korea - Daegu</b> Tel.: 82-53-744-4301 <b>Korea - Seoul</b> Tel.: 82-2-554-7200 <b>Malaysia - Kuala Lumpur</b> Tel.: 60-3-7651-7906 <b>Malaysia - Penang</b> Tel.: 60-4-227-8870 <b>Philippinen - Manila</b> Tel.: 63-2-634-9065 <b>Singapur</b> Tel.: 65-6334-8870 <b>Taiwan - Hsin Chu</b> Tel.: 886-3-577-8366 <b>Taiwan - Kaohsiung</b> Tel.: 886-7-213-7830 <b>Taiwan - Taipei</b> Tel.: 886-2-2508-8600 <b>Thailand - Bangkok</b> Tel.: 66-2-694-1351 <b>Vietnam - Ho-Chi-Minh-Stadt</b> Tel.: 84-28-5448-2100	<b>Österreich - Wels</b> Tel.: 43-7242-2244-39 Fax: 43-7242-2244-393 <b>Dänemark - Kopenhagen</b> Tel.: 45-4485-5910 Fax: 45-4485-2829 <b>Finnland - Espoo</b> Tel.: 358-9-4520-820 <b>Frankreich - Paris</b> Tel.: 33-1-69-53-63-20 Fax: 33-1-69-30-90-79 <b>Deutschland - Garching</b> Tel.: 49-8931-9700 <b>Deutschland - Haan</b> Tel.: 49-2129-3766400 <b>Deutschland - Heilbronn</b> Tel.: 49-7131-72400 <b>Deutschland - Karlsruhe</b> Tel.: 49-721-625370 <b>Deutschland - München</b> Tel.: 49-89-627-144-0 Fax: 49-89-627-144-44 <b>Deutschland - Rosenheim</b> Tel.: 49-8031-354-560 <b>Israel - Ra'anana</b> Tel.: 972-9-744-7705 <b>Italien - Mailand</b> Tel.: 39-0331-742611 Fax: 39-0331-466781 <b>Italien - Padua</b> Tel.: 39-049-7625286 <b>Niederlande - Drunen</b> Tel.: 31-416-690399 Fax: 31-416-690340 <b>Norwegen - Trondheim</b> Tel.: 47-72884388 <b>Polen - Warschau</b> Tel.: 48-22-3325737 <b>Rumänien - Bukarest</b> Tel.: 40-21-407-87-50 <b>Spanien - Madrid</b> Tel.: 34-91-708-08-90 Fax: 34-91-708-08-91 <b>Schweden - Göteborg</b> Tel.: 46-31-704-60-40 <b>Schweden - Stockholm</b> Tel.: 46-8-5090-4654 <b>UK - Wokingham</b> Tel.: 44-118-921-5800 Fax: 44-118-921-5820