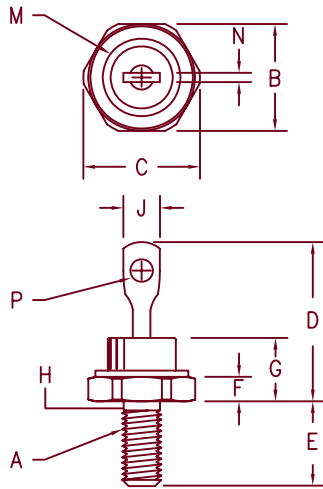


SuperSoft™ Recovery Rectifiers

SSUR31



- Notes:
- 10-32 UNF3A threads
 - Full threads within 2 1/2 threads Standard Polarity: Stud is Cathode
Reverse Polarity: Stud is Anode

Dim.	Inches		Millimeter		Notes
	Minimum	Maximum	Minimum	Maximum	
A	---	---	---	---	1
B	.424	.437	10.77	11.10	
C	---	.505	---	12.82	
D	.600	.800	15.24	20.32	
E	.422	.453	10.72	11.50	
F	.075	.175	1.91	4.44	
G	---	.405	---	10.29	
H	.163	.189	4.15	4.80	2
J	.100	.310	2.54	7.87	
M	---	.350	---	8.89	Dia.
N	.020	.065	.510	1.65	
P	.070	.100	1.78	2.54	Dia.

D0203AA (D04)

Microsemi Catalog Number	Working Peak Reverse Voltage	Peak Reverse Voltage
SSUR3140*	400V	400V
SSUR3160*	600V	600V

*Add Suffix R For Reverse Polarity

- Soft Recovery Ultra Fast Rectifier
- 175°C Junction Temperature
- V_{RRM} 400 to 600V
- High Reliability
- 30 Amps current rating
- t_{RR} 65 nsec maximum
- Low Forward Voltage
- Low Loss/Low Noise

Electrical Characteristics

Average forward current	$I_F(AV)$ 30A	$T_C = 110^\circ C$, Square wave, $R_{\theta JC} = 1.35^\circ C/W$ 8.3 ms, half sine, $T_J = 175^\circ C$ $I_{FM} = 30A$: $T_J = 25^\circ C^*$ $I_F = 1A, V_R = 30V, di/dt = -50A/\mu sec$ $V_{RRM}, T_J = 125^\circ C$ $V_{RRM}, T_J = 25^\circ C$ $V_R = 10V, f = 1MHz, T_J = 25^\circ C$
Maximum surge current	I_{FSM} 350A	
Max peak forward voltage	V_{FM} 1.60V	
Max reverse recovery time	t_{RR} 65 ns	
Max peak reverse current	I_{RM} 1.0 mA	
Max peak reverse current	I_{RM} 15 μA	
Typical Junction Capacitance	C_J 115 pF	

*Pulse test: Pulse width 300 μsec , Duty cycle 2%

Thermal and Mechanical Characteristics

Storage temp range	T_{STG}	-65°C to 175°C
Operating junction temp range	T_J	-65°C to 175°C
Max thermal resistance	$R_{\theta JC}$	1.35°C/W Junction to Case
Typical thermal resistance	$R_{\theta JC}$	1.15°C/W Junction to Case
Typical thermal resistance (greased)	$R_{\theta CS}$	0.4°C/W Case to sink
Mounting torque		12-15 inch pounds
Weight		0.2 ounces (6.0 grams) typical



6 Lake Street
 Lawrence, MA 01841
 PH: (978) 620-2600
 FAX: (978) 689-0803
 www.microsemi.com

05-04-07 Rev. 1

SSUR31

Figure 1
Typical Forward Characteristics

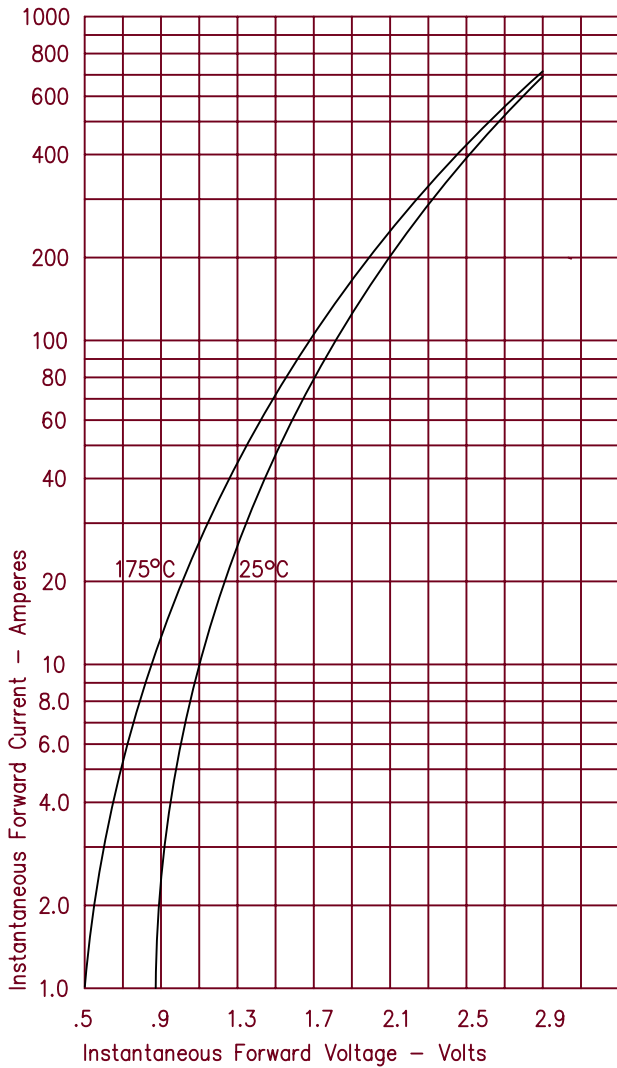


Figure 3
Typical Junction Capacitance

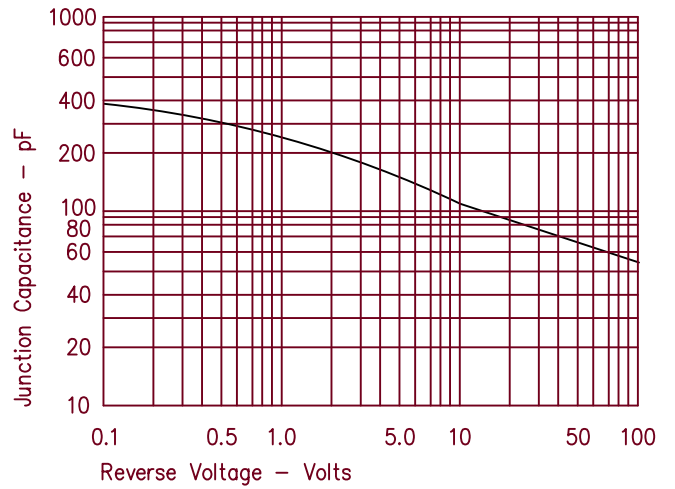


Figure 4
Forward Current Derating

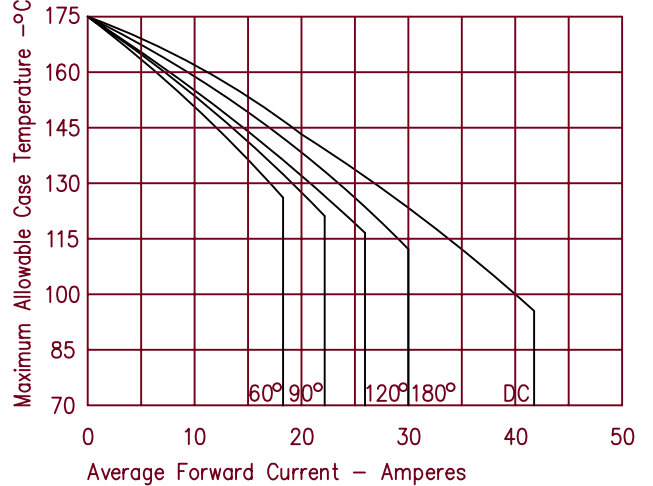


Figure 2
Typical Reverse Characteristics

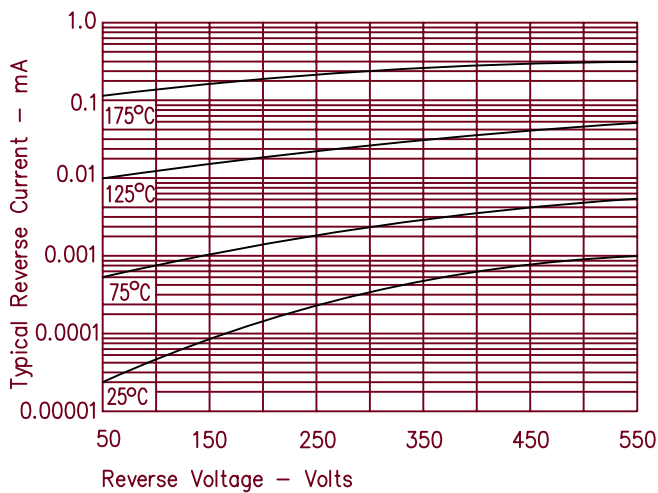


Figure 5
Maximum Forward Power Dissipation

