



MICROCHIP

Section 9. Watchdog, Deadman, and Power-up Timers

HIGHLIGHTS

This section of the manual contains the following major topics:

9.1	Introduction	9-2
9.2	Watchdog, Deadman, and Power-up Timers Control Registers	9-4
9.3	Watchdog Timer Operation	9-14
9.4	DMT Operation	9-18
9.5	Interrupt and Reset Generation	9-20
9.6	I/O Pins	9-23
9.7	Operation in Debug and Power-Saving Modes	9-23
9.8	Effects of Various Resets	9-23
9.9	Related Application Notes	9-24
9.10	Revision History	9-25

Note: This family reference manual section is meant to serve as a complement to device data sheets. Depending on the device variant, this manual section may not apply to all PIC32 devices.

Please consult the note at the beginning of the “**Watchdog Timer**”, “**Deadman Timer**”, “**Power-Saving Features**” and “**Special Features**” chapters in the current device data sheet to check whether this document supports the device you are using.

Device data sheets and family reference manual sections are available for download from the Microchip Worldwide Web site at: <http://www.microchip.com>

9.1 INTRODUCTION

The PIC32 Watchdog Timer (WDT), Deadman Timer (DMT), and Power-up Timer (PWRT) modules are described in this section. Refer to [Figure 9-1](#) for a block diagram of the WDT and PWRT and [Figure 9-2](#) for a block diagram of the DMT.

Note: The Deadman Timer is not available on all devices. Please refer to the “**Deadman Timer**” chapter in the specific device data sheet to determine availability.

The WDT, when enabled, operates from the internal Low-Power RC (LPRC) Oscillator clock source. The WDT can be used to detect system software malfunctions by resetting the device if the WDT is not cleared periodically in software. The WDT can be configured in Windowed mode or non-Windowed mode. Various WDT time-out periods can be selected using the WDT postscaler. The WDT can also be used to wake the device from Sleep or Idle mode.

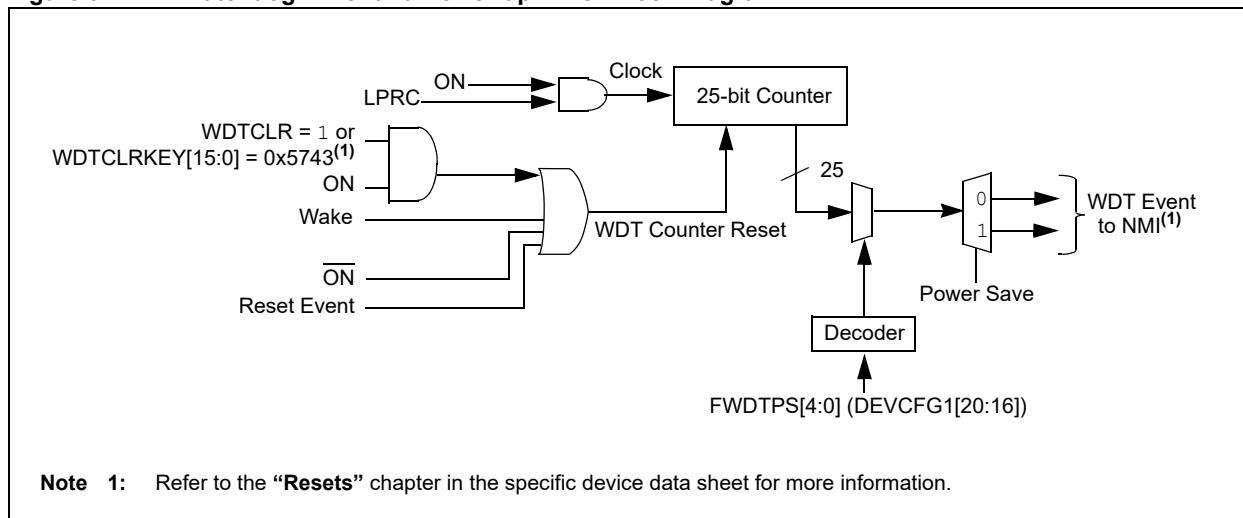
The DMT, when enabled, counts instruction fetches, and is able to cause a Reset if the DMT counter is not cleared within a set number of instructions. Since it does not measure time, it can remain active during Sleep mode and continue after awakening.

The PWRT, when enabled, holds the device in Reset for a 64 millisecond period after the normal Power-on Reset (POR) start-up period is complete. This allows additional time for the Primary Oscillator (POSC) clock source and the power supply to stabilize. Like the WDT, the PWRT also uses the LPRC as its clock source.

Following are some of the key features of the WDT, DMT, and PWRT modules:

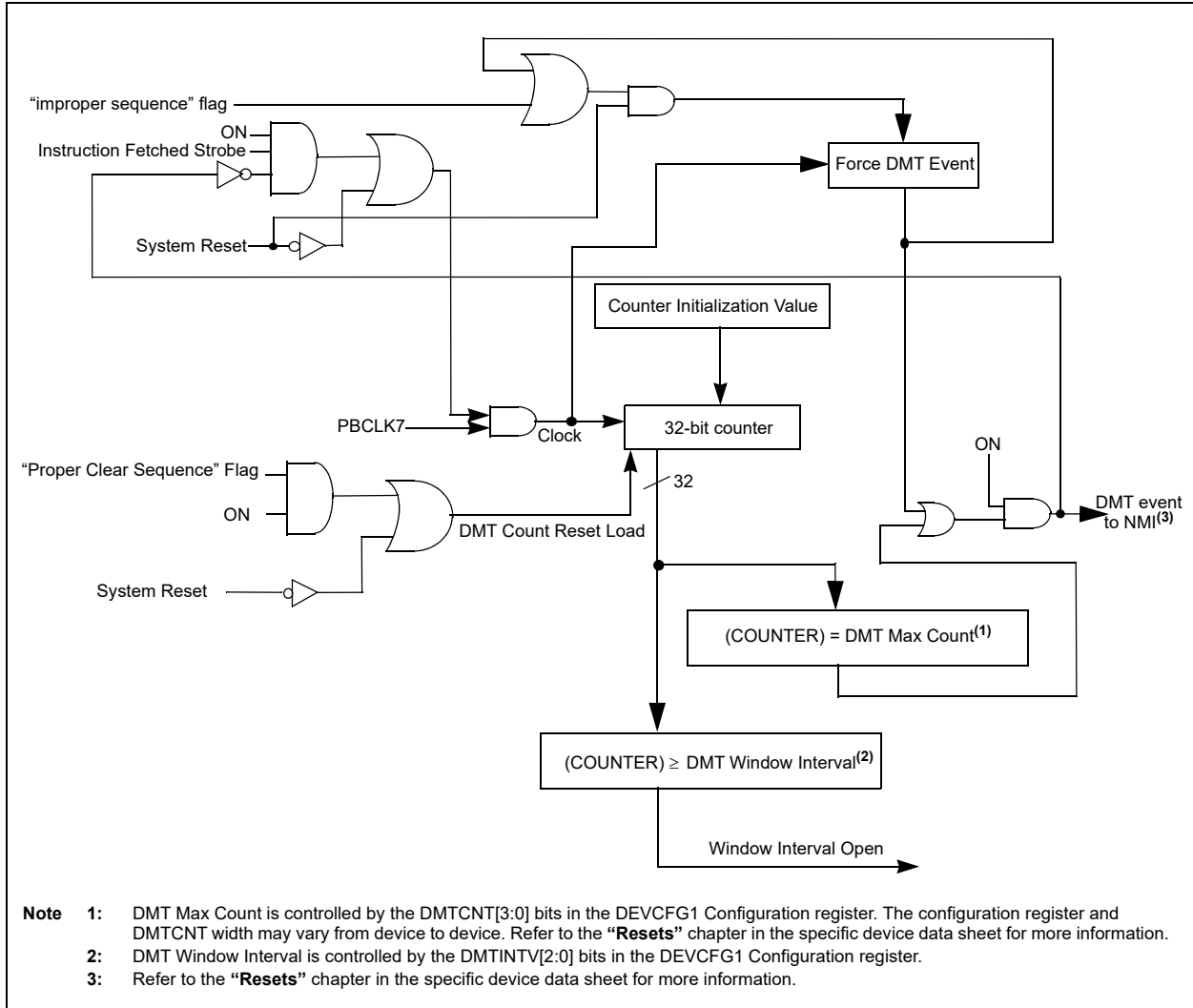
- Configuration or software controlled
- User-configurable time-out period or instruction count
- Can wake the device from Sleep or Idle

Figure 9-1: Watchdog Timer and Power-up Timer Block Diagram



Section 9. Watchdog, Deadman, and Power-up Timers

Figure 9-2: DeadmanTimer Block diagram



9.2 WATCHDOG, DEADMAN, AND POWER-UP TIMERS CONTROL REGISTERS

The WDT, DMT, and PWRT modules consist of the following Special Function Registers (SFRs):

- **WDTCON: Watchdog Timer Control Register (for PIC32MX and PIC32MZ EC Family Devices)**

This register is used to enable or disable the Watchdog Timer, clear the WDT to prevent a time-out, and enables or disables the windowed operation.

- **WDTCON: Watchdog Timer Control Register (for PIC32MM and PIC32MZ EF Family Devices)**

This register is used to enable or disable the Watchdog Timer, clear the WDT to prevent a time-out, and enables or disables the windowed operation.

- **WDTCON: Watchdog Timer Control Register (for PIC32MZ W1 Family Devices only)**

This register is used to enable or disable the Watchdog Timer, clear the WDT to prevent a time-out, and enables or disables the windowed operation.

- **RCON: Resets Control Register**

This register indicates the cause of a reset.

- **DMTCON: Deadman Timer Control Register**

This register is used to enable or disable Deadman Timer.

- **DMTPRECLR: Deadman Timer Preclear Register**

This register is used to write a preclear key word to eventually clear the Deadman Timer.

- **DMTCLR: Deadman Timer Clear Register**

This register is used to write a clear key word after a preclear word has been written to the DMTPRECLR register. The Deadman Timer will be cleared following a clear key word write.

- **DMTSTAT: Deadman Timer Status Register**

This register provides status for incorrect key word values or sequences, Deadman Timer events, and whether or not the DMT clear window is open.

- **DMTCNT: Deadman Timer Count Register**

This register allows user software to read the contents of the DMT counter.

- **DMTPSCNT: Post Status Configure DMT Count Status Register**

This register provides the value of the DMTCNT Configuration bits in the DEVCFG1 register.

- **DMTPSINTV: Post Status Configure DMT Interval Status Register**

This register provides the value of the DMTINTV Configuration bits in the DEVCFG1 register.

Table 9-2 provides a brief summary of the related WDT, DMT, and PWRT module registers. Corresponding registers appear after the summary, followed by a detailed description of each register.

Table 9-1: Watchdog, Deadman, and Power-up Timers Register Map

Register Name ⁽¹⁾	Bits																	
	31/15	30/14	29/13	28/12	27/11	26/10	25/9	24/8	23/7	22/6	21/5	20/4	19/3	18/2	17/1	16/0		
WDTCON ⁽⁴⁾	31:16	WDTCLRKEY[15:0] ⁽³⁾																
	15:0	ON	—	—	—	—	—	—	—	—	SWDTPS[4:0]			—	—	WDTWINEN ⁽³⁾	WDTCLR ⁽³⁾	
WDTCON ⁽⁵⁾	31:16	WDTCLRKEY[15:0]																
	15:0	ON	—	—	RUNDIV[4:0]			—	—	CLKSEL[1:0]	—	SLPDIV[4:0]			—	—	WDTWINEN ⁽³⁾	
WDTCON ⁽⁶⁾	31:16	WDTCLRKEY[15:0]																
	15:0	ON	—	—	RUNDIV[4:0]			—	—	—	—	—	—	—	—	—	WDTWINEN	
RCON	31:16	—	—	—	—	—	—	—	—	—	—	—	—	BCFGERR ⁽²⁾	BCFGFAIL ⁽²⁾	NVMLTA ⁽²⁾	—	
	15:0	—	—	—	—	—	—	—	CM ⁽²⁾	WREGS ⁽²⁾	EXTR ⁽²⁾	SWR ⁽²⁾	—	WDTO	SLEEP	IDLE	BOR ⁽²⁾	POR ⁽²⁾
DMTCON	31:16	—	—	—	—	—	—	—	—	—	—	—	—	—	—	—	—	—
	15:0	ON	—	—	—	—	—	—	—	—	—	—	—	—	—	—	—	—
DMTPRECLR	31:16	—	—	—	—	—	—	—	—	—	—	—	—	—	—	—	—	—
	15:0	STEP1[7:0]								—	—	—	—	—	—	—	—	
DMCLR	31:16	—	—	—	—	—	—	—	—	—	—	—	—	—	—	—	—	—
	15:0	—	—	—	—	—	—	—	—	—	STEP2[7:0]							—
DMTSTAT	31:16	—	—	—	—	—	—	—	—	—	—	—	—	—	—	—	—	—
	15:0	—	—	—	—	—	—	—	—	BAD1	BAD2	DMTEVENT	—	—	—	—	—	WINOPN
DMTCNT	31:16	COUNTER[31:0]																
	15:0																	
DMTPSCNT	31:16	PSCNT[31:0]																
	15:0																	
DMTPSINTV	31:16	PSINTV[31:0]																
	15:0																	

Legend: — = unimplemented, read as '0'.

Note 1: All registers have an associated Clear, Set, and Invert register at an offset of 0x4, 0x8, and 0xC bytes, respectively. These registers have the same name with CLR, SET, or INV appended to the end of the register name (e.g., WDTCONCLR). Writing a '1' to any bit position in these registers will clear valid bits in the associated register. Reads from the these registers should be ignored.

2: These bits are not associated with the WDT or PWRT modules. For complete register details, see **Register 7-1: "RCON: Resets Control Register"** in **Section 6. "Resets"** (DS61118) of the "*PIC32 Family Reference Manual*".

3: These bits are not available on all devices. Please refer to the "**Watchdog Timer**" chapter in the specific device data sheet for availability.

4: This register is for use with PIC32MX and PIC32MZ EC Family devices only.

5: This register is for use with PIC32MM and PIC32MZ EF Family devices only.

6: This register is for use with PIC32MZ W1 Family devices only.

PIC32 Family Reference Manual

Register 9-1: WDTCON: Watchdog Timer Control Register (for PIC32MX and PIC32MZ EC Family Devices)

Bit Range	Bit 31/23/15/7	Bit 30/22/14/6	Bit 29/21/13/5	Bit 28/20/12/4	Bit 27/19/11/3	Bit 26/18/10/2	Bit 25/17/9/1	Bit 24/16/8/0
31:24	W-0	W-0	W-0	W-0	W-0	W-0	W-0	W-0
WDTCLRKEY[15:8] ⁽³⁾								
23:16	W-0	W-0	W-0	W-0	W-0	W-0	W-0	W-0
WDTCLRKEY[7:0] ⁽³⁾								
15:8	R/W-0	U-0	U-0	U-0	U-0	U-0	U-0	U-0
	ON ^(1,2)	—	—	—	—	—	—	—
7:0	U-0	R-y	R-y	R-y	R-y	R-y	R/W-0	R/W-0
	—	SWDTPS[4:0]					WDTWINEN ⁽³⁾	WDTCLR ⁽³⁾

Legend:	y = Value from Configuration bit on POR		
R = Readable bit	W = Writable bit	U = Unimplemented bit, read as '0'	
-n = Value at POR	'1' = Bit is set	'0' = Bit is cleared	x = Bit is unknown

bit 31-16 **WDTCLRKEY[15:0]:** Watchdog Timer Clear Key bits⁽³⁾

To clear the Watchdog Timer to prevent a time-out, software must write the value 0x5743 to this location using a single 16-bit write.

bit 15 **ON:** Watchdog Timer Enable bit^(1,2)

1 = Enables the Watchdog Timer if it is not enabled by the device configuration
0 = Disable the Watchdog Timer if it was enabled in software

bit 14-7 **Unimplemented:** Read as '0'

bit 6-2 **SWDTPS[4:0]:** Shadow Copy of Watchdog Timer Postscaler Value from Device Configuration bits

On reset, these bits are set to the values of the WDTPS[4:0] Configuration bits.

bit 1 **WDTWINEN:** Watchdog Timer Window Enable bit⁽³⁾

1 = Enable windowed Watchdog Timer
0 = Disable windowed Watchdog Timer

bit 0 **WDTCLR:** Watchdog Timer Reset bit⁽³⁾

1 = Writing a '1' will clear the WDT
0 = Software cannot force this bit to a '0'

Note 1: A read of this bit will result in a '1' if the WDT is enabled by the device configuration or by software.

2: When using the 1:1 PBCLK divisor, the user's software should not read or write the peripheral's SFRs in the SYSCLK cycle immediately following the instruction that clears the module's ON bit.

3: These bits are not available on all devices. Please refer to the "Watchdog Timer" chapter in the specific device data sheet for availability.

Section 9. Watchdog, Deadman, and Power-up Timers

Register 9-2: WDTCON: Watchdog Timer Control Register (for PIC32MM and PIC32MZ EF Family Devices)

Bit Range	Bit 31/23/15/7	Bit 30/22/14/6	Bit 29/21/13/5	Bit 28/20/12/4	Bit 27/19/11/3	Bit 26/18/10/2	Bit 25/17/9/1	Bit 24/16/8/0
31:24	W-0	W-0	W-0	W-0	W-0	W-0	W-0	W-0
WDTCLRKEY[15:8]								
23:16	W-0	W-0	W-0	W-0	W-0	W-0	W-0	W-0
WDTCLRKEY[7:0]								
15:8	R/W-0	U-0	U-0	R-0	R-0	R-0	R-0	R-0
	ON ^(1,2)	—	—	RUNDIV[4:0]				
7:0	R-y	R-y	R-y	R-y	R-y	R-y	R-y	R-y
	CLKSEL[1:0]			SLPDIV[4:0]				WDTWINEN ⁽³⁾

Legend:	y = Value from Configuration bit on POR
R = Readable bit	W = Writable bit U = Unimplemented bit, read as '0'
-n = Value at POR	'1' = Bit is set '0' = Bit is cleared x = Bit is unknown

bit 31-16 **WDTCLRKEY[15:0]:** Watchdog Timer Clear Key bits

To clear the Watchdog Timer to prevent a time-out, software must write the value 0x5743 to this location using a single 16-bit write.

bit 15 **ON:** Watchdog Timer Enable bit^(1,2)

1 = Enables the Watchdog Timer if it is not enabled by the device configuration
0 = Disable the Watchdog Timer if it was enabled in software

bit 14-13 **Unimplemented:** Read as '0'

bit 12-8 **RUNDIV[4:0]:** Watchdog Timer Postscaler Value in Run Mode

On reset, these bits are set to the values of the WDTPS[4:0] Configuration bits.

bit 7-6 **CLKSEL[1:0]:** Watchdog Timer Clock Selection during Run Mode bits

11 = PBCLK1
10 = Device-dependent⁽³⁾
01 = Device-dependent⁽³⁾
00 = Device-dependent⁽³⁾

bit 5-1 **SLPDIV[4:0]:** Watchdog Timer Postscaler Value in Sleep Mode

On reset, these bits are set to the values of the WDTPS[4:0] Configuration bits.

bit 0 **WDTWINEN:** Watchdog Timer Window Enable bit⁽³⁾

1 = Enable windowed Watchdog Timer
0 = Disable windowed Watchdog Timer

- Note 1:** A read of this bit will result in a '1' if the WDT is enabled by the device configuration or by software.
Note 2: When using the 1:1 PBCLK divisor, the user's software should not read or write the peripheral's SFRs in the SYSCLK cycle immediately following the instruction that clears the module's ON bit.
Note 3: Refer to the "Watchdog Timer" chapter in the specific device data sheet to determine availability and the definition of this bit value.

PIC32 Family Reference Manual

Register 9-3: WDTCON: Watchdog Timer Control Register (for PIC32MZ W1 Family Devices only)

Bit Range	Bit 31/23/15/7	Bit 30/22/14/6	Bit 29/21/13/5	Bit 28/20/12/4	Bit 27/19/11/3	Bit 26/18/10/2	Bit 25/17/9/1	Bit 24/16/8/0
31:24	W-0	W-0	W-0	W-0	W-0	W-0	W-0	W-0
WDTCLRKEY[15:8] ⁽³⁾								
23:16	W-0	W-0	W-0	W-0	W-0	W-0	W-0	W-0
WDTCLRKEY[7:0] ⁽³⁾								
15:8	R/W-y	U-0	U-0	R-y	R-y	R-y	R-y	R-y
	ON ^(1,2)	—	—	RUNDIV[4:0]				
7:0	U-0	U-0	U-0	U-0	U-0	U-0	U-0	R/W-0
	—	—	—	—	—	—	—	WDTWINEN ⁽³⁾

Legend:	y = Value from Configuration bit on POR		
R = Readable bit	W = Writable bit	U = Unimplemented bit, read as '0'	
-n = Value at POR	'1' = Bit is set	'0' = Bit is cleared	x = Bit is unknown

bit 31-16 **WDTCLRKEY[15:0]:** Watchdog Timer Clear Key bits⁽³⁾

To clear the Watchdog Timer to prevent a time-out, software must write the value 0x5743 to this location using a single 16-bit write.

bit 15 **ON:** Watchdog Timer Enable bit^(1,2)

1 = Enables the Watchdog Timer if it is not enabled by the device configuration
0 = Disable the Watchdog Timer if it was enabled in software

bit 13-14 **Unimplemented:** Read as '0'

bit 12-8 **RUNDIV[4:0]:** Watchdog Timer Postscaler Value in Run Mode

On reset, these bits are set to the values of the WDTPS[4:0] Configuration bits.

bit 7-1 **Unimplemented:** Read as '0'

bit 0 **WDTWINEN:** Watchdog Timer Window Enable bit⁽³⁾

1 = Enable windowed Watchdog Timer
0 = Disable windowed Watchdog Timer

Note 1: A read of this bit will result in a '1' if the WDT is enabled by the device configuration or by software.

2: When using the 1:1 PBCLK divisor, the user's software should not read or write the peripheral's SFRs in the SYSCLK cycle immediately following the instruction that clears the module's ON bit.

3: These bits are not available on all devices. Please refer to the "Watchdog Timer" chapter in the specific device data sheet for availability.

Section 9. Watchdog, Deadman, and Power-up Timers

Register 9-4: RCON: Resets Control Register

Bit Range	Bit 31/23/15/7	Bit 30/22/14/6	Bit 29/21/13/5	Bit 28/20/12/4	Bit 27/19/11/3	Bit 26/18/10/2	Bit 25/17/9/1	Bit 24/16/8/0
31:24	U-0	U-0	U-0	U-0	R/W-0, HS	R/W-0, HS	R/W-0, HS	U-0
	—	—	—	—	BCFGERR ⁽²⁾	BCFGFAIL ⁽²⁾	NVMLTA ⁽²⁾	—
23:16	U-0	U-0	U-0	U-0	U-0	U-0	U-0	U-0
	—	—	—	—	—	—	—	—
15:8	U-0	U-0	U-0	U-0	U-0	U-0	R/W-0, HS	R.W-0, HS
	—	—	—	—	—	—	CM ⁽¹⁾	VREGS ⁽¹⁾
7:0	R/W-0, HS	R/W-0, HS	R/W-0, HS	R/W-0, HS	R/W-0, HS	R/W-0, HS	R/W-1, HS	R/W-1, HS
	EXTR ⁽¹⁾	SWR ⁽¹⁾	DMTO ⁽²⁾	WDTO	SLEEP	IDLE	BOR ⁽¹⁾	POR ⁽¹⁾

Legend:	HS = Set by hardware
R = Readable bit	W = Writable bit
-n = Value at POR	'1' = Bit is set
	U = Unimplemented bit, read as '0'
	'0' = Bit is cleared
	x = Bit is unknown

- bit 5 **DMTO:** Deadman Timer Time-out bit⁽²⁾
 - 1 = A Deadman Timer time-out has occurred
 - 0 = A Deadman Timer time-out has not occurred
- bit 4 **WDTO:** Watchdog Time-out bit
 - 1 = A Watchdog Timer time-out has occurred since either the device was powered up or the WDTO bit was last cleared by software
 - 0 = A Watchdog Timer time-out has not occurred since either the WDTO bit was cleared by software or the device was reset
- bit 3 **SLEEP:** Sleep Event bit
 - 1 = The device was in Sleep since either the device was powered up or the SLEEP bit was last cleared by software
 - 0 = The device was not in Sleep since either the SLEEP bit was cleared by software or the device was reset
- bit 2 **IDLE:** Idle Event bit
 - 1 = The device has been in Idle mode since either the device was powered up or the IDLE bit was last cleared by software
 - 0 = The device has not been in Idle mode since either the IDLE bit was cleared by software or the device was reset

Note 1: These bits are not associated with the WDT or PWRT modules. For complete register details, see **Register 7-1: “RCON: Resets Control Register”** in **Section 6. “Resets”** (DS61118) of the *“PIC32 Family Reference Manual”*.

2: This bit is not available on all devices. Please refer to the **“Watchdog Timer”** chapter in the specific device data sheet to determine availability.

Section 9. Watchdog, Deadman, and Power-up Timers

Register 9-7: DMTCLR: Deadman Timer Clear Register

Bit Range	Bit 31/23/15/7	Bit 30/22/14/6	Bit 29/21/13/5	Bit 28/20/12/4	Bit 27/19/11/3	Bit 26/18/10/2	Bit 25/17/9/1	Bit 24/16/8/0
31:24	U-0	U-0	U-0	U-0	U-0	U-0	U-0	U-0
	—	—	—	—	—	—	—	—
23:16	U-0	U-0	U-0	U-0	U-0	U-0	U-0	U-0
	—	—	—	—	—	—	—	—
15:8	U-0	U-0	U-0	U-0	U-0	U-0	U-0	U-0
	—	—	—	—	—	—	—	—
7:0	R/W-0	R/W-0	R/W-0	R/W-0	R/W-0	R/W-0	R/W-0	R/W-0
	STEP2[7:0]							

Legend:

R = Readable bit

W = Writable bit

U = Unimplemented bit

-n = Bit Value at POR: ('0', '1', x = unknown)

P = Programmable bit r = Reserved bit

bit 31-8 **Unimplemented:** Read as '0'

bit 7-0 **STEP2[7:0]:** Clear Timer bits

00001000 = Clears STEP1[7:0], STEP2[7:0] and the Deadman Timer if, and only if, preceded by correct loading of STEP1[7:0] bits in the correct sequence. The write to these bits may be verified by reading DMTCNT and observing the counter being reset.

All other write patterns = Set BAD2 bit, the value of STEP1[7:0] will remain unchanged, and the new value being written STEP2[7:0] will be captured. These bits are also cleared when a DMT reset event occurs.

PIC32 Family Reference Manual

Register 9-8: DMTSTAT: Deadman Timer Status Register

Bit Range	Bit 31/23/15/7	Bit 30/22/14/6	Bit 29/21/13/5	Bit 28/20/12/4	Bit 27/19/11/3	Bit 26/18/10/2	Bit 25/17/9/1	Bit 24/16/8/0
31:24	U-0	U-0	U-0	U-0	U-0	U-0	U-0	U-0
	—	—	—	—	—	—	—	—
23:16	U-0	U-0	U-0	U-0	U-0	U-0	U-0	U-0
	—	—	—	—	—	—	—	—
15:8	U-0	U-0	U-0	U-0	U-0	U-0	U-0	U-0
	—	—	—	—	—	—	—	—
7:0	R-0, HC	R-0, HC	R-0, HC	U-0	U-0	U-0	U-0	R-0
	BAD1	BAD2	DMTEVENT	—	—	—	—	WINOPN

Legend:	HC = Cleared by Hardware
R = Readable bit	W = Writable bit
U = Unimplemented bit	P = Programmable bit
-n = Bit Value at POR: ('0', '1', x = unknown)	r = Reserved bit

- bit 31-8 **Unimplemented:** Read as '0'
- bit 7 **BAD1:** Bad STEP1[7:0] Value Detect bit
 - 1 = Incorrect STEP1[7:0] value was detected
 - 0 = Incorrect STEP1[7:0] value was not detected
- bit 6 **BAD2:** Bad STEP2[7:0] Value Detect bit
 - 1 = Incorrect STEP2[7:0] value was detected
 - 0 = Incorrect STEP2[7:0] value was not detected
- bit 5 **DMTEVENT:** Deadman Timer Event bit
 - 1 = Deadman timer event was detected (counter expired or bad STEP1[7:0] or STEP2[7:0] value was entered prior to counter increment)
 - 0 = Deadman timer event was not detected
- bit 4-1 **Unimplemented:** Read as '0'
- bit 0 **WINOPN:** Deadman Timer Clear Window bit
 - 1 = Deadman timer clear window is open
 - 0 = Deadman timer clear window is not open

Register 9-9: DMTCNT: Deadman Timer Count Register

Bit Range	Bit 31/23/15/7	Bit 30/22/14/6	Bit 29/21/13/5	Bit 28/20/12/4	Bit 27/19/11/3	Bit 26/18/10/2	Bit 25/17/9/1	Bit 24/16/8/0
31:24	R-0	R-0	R-0	R-0	R-0	R-0	R-0	R-0
	COUNTER[31:24]							
23:16	R-0	R-0	R-0	R-0	R-0	R-0	R-0	R-0
	COUNTER[23:16]							
15:8	R-0	R-0	R-0	R-0	R-0	R-0	R-0	R-0
	COUNTER[15:8]							
7:0	R-0	R-0	R-0	R-0	R-0	R-0	R-0	R-0
	COUNTER[7:0]							

Legend:	W = Writable bit	U = Unimplemented bit
R = Readable bit	P = Programmable bit	r = Reserved bit
-n = Bit Value at POR: ('0', '1', x = unknown)		

- bit 31-8 **COUNTER[31:0]:** Read current contents of DMT counter

9.3 WATCHDOG TIMER OPERATION

The primary function of the Watchdog Timer (WDT) is to reset the processor in the event of a software malfunction or wake-up the processor in the event of a time-out while in Sleep mode.

If enabled, the WDT will increment until it overflows or “times out”. A WDT time-out will force a device Reset, except during Sleep or Idle modes. To prevent a WDT time-out Reset, the user application must periodically clear the WDT by setting the WDTCLR bit (WDTCON[0]), or by writing a key word 0x5743 to the WDTCLRKEY[15:0] bits (WDTCON[31:16]) through a single 16-bit write. Please refer to the “**Watchdog Timer**” chapter in the specific device data sheet to determine availability of the WDTCLR bit and the WDTCLRKEY[15:0] bits.

The WDT module uses the LPRC Oscillator for reliability.

Note: The LPRC Oscillator is enabled whenever the WDT is enabled.

9.3.1 Modes of Operation

The WDT has two modes of operation: Non-Windowed and Programmable Windowed.

The Programmable Windowed mode can be enabled by setting the Watchdog Window Enable (WDTWINEN) bit (WDTCON[1]). In Programmable Windowed mode, software can clear the WDT only when the counter is in its final window before a period match occurs. There are four window size options. This window is active when the timer counter is greater than a predetermined value for each option. Depending on the device, any attempts to clear the WDT when the window is not active will cause either a Non-maskable Interrupt (NMI) or a device Reset. Refer to the “**Power-Saving Features**” chapter in the specific device data sheet for more information on which type of reset occurs for your device. In Non-Windowed mode, software can clear the WDT anytime before the period match occurs.

9.3.2 Enabling and Disabling the WDT

The WDT is enabled or disabled by the device configuration or controlled through software by writing to the WDTCON register ([Register 9-1](#)).

9.3.3 Device Configuration Controlled WDT

If the FWDTEN Configuration bit is set, the WDT is always enabled. The ON control bit (WDTCON[15]) will reflect this by reading a ‘1’. In this mode, the ON bit cannot be cleared in software. The FWDTEN Configuration bit will not be cleared by any form of reset. To disable the WDT, the configuration must be rewritten to the device.

Note: The WDT is enabled by default on an unprogrammed device.

The WINDIS Configuration bit can be used to enable or disable the Programmable Windowed mode. The window size for the WDT Programmable Windowed mode can be configured using the FWDTWINSZ Configuration bits.

9.3.4 Software Controlled WDT

If the FWDTEN Configuration bit is a ‘0’, the WDT module can be enabled or disabled (the default condition) by software. In this mode, the ON bit (WDTCON[15]) reflects the status of the WDT under software control. A ‘1’ indicates the WDT module is enabled and a ‘0’ indicates it is disabled. If the WINDIS Configuration bit is a ‘0’, the WDT Programmable Windowed mode can be enabled or disabled by software. The Programmable Windowed mode can be configured using the WDTWINEN bit (WDTCON[2]). A ‘1’ indicates that Programmable Windowed mode is enabled and ‘0’ indicates it is disabled. The window sizes can be configured by setting the FWDTWINSZ configuration bits only, and cannot be set in software.

The WDT is enabled in software by setting the Watchdog Timer control bit, ON (WDTCON[15]). The ON control bit is cleared on any device Reset. The bit is not cleared upon a wake from Sleep or exit from Idle mode. The software WDT option allows the user to enable the WDT for critical code segments and disable the WDT during noncritical segments for maximum power savings. This bit can also be used to disable the WDT while the device is awake to eliminate the need for WDT servicing, and then re-enable it before the device is put into Idle or Sleep to wake the device at a later time. [Example 9-1](#) shows the WDT initialization and servicing sample.

Section 9. Watchdog, Deadman, and Power-up Timers

Example 9-1: Sample WDT Initialization and Servicing

```
//This code fragment assumes the WDT was not enabled by the device configuration
// The Postscaler value must be set with the device configuration
// In certain devices, software must write a 0x5743 to WDTCON[31:16] using a
// single 16-bit write.

WDTCONSET = 0x8000;           // Turn on the WDT

main
{
    WDTCONSET = 0x01;         // Service the WDT
    ... User code goes here ...
}
```

9.3.4.1 WATCHDOG TIMER PROGRAMMABLE WINDOW

Note: Window mode and its associated bits are not available on all devices. Please refer to the specific device data sheet to determine availability.

The window size is determined by the Configuration bits, FWDTWINSZ and WDTPS. In the Programmable Windowed mode (WDTWINEN = 1), the WDT should be cleared based on the setting of the Window Size Configuration bits (FWDTWINSZ[1:0]) (see Figure 9-4). These bit settings are:

- 11 = WDT window is 25% of the WDT period
- 10 = WDT window is 37.5% of the WDT period
- 01 = WDT window is 50% of the WDT period
- 00 = WDT window is 75% of the WDT period

Depending on the device, if the WDT is cleared before the allowed window, a system Reset or NMI is immediately generated. Refer to the “**Power-Saving Features**” chapter in the specific device data sheet for more information on which type of reset occurs for your device.

The Windowed mode is useful for resetting the device during unexpected quick or slow execution of a critical portion of the code.

Figure 9-3: Non-Windowed WDT

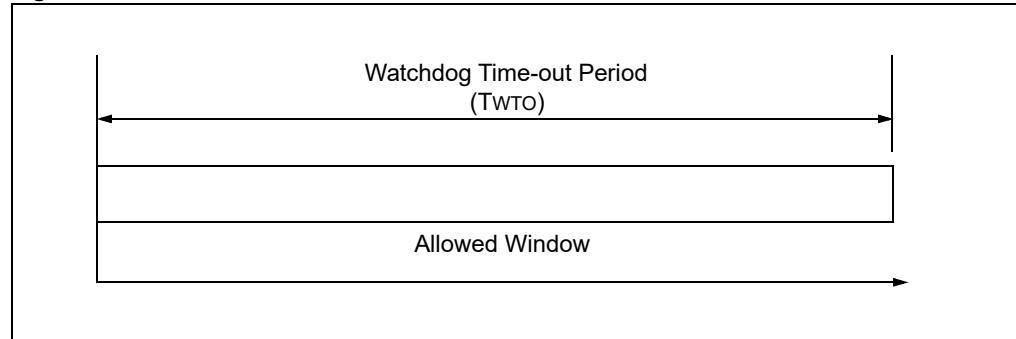
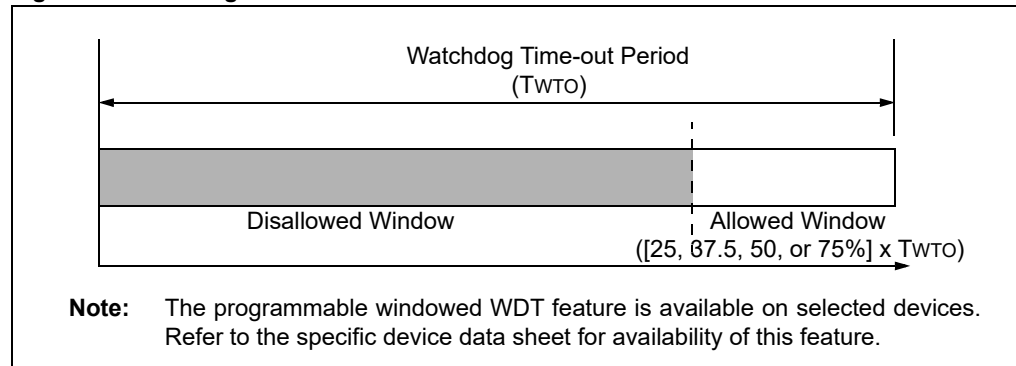


Figure 9-4: Programmable Windowed WDT



Note: The programmable windowed WDT feature is available on selected devices. Refer to the specific device data sheet for availability of this feature.

9.3.5 WDT Operation in Power-Saving Modes

The WDT, if enabled, will continue operation in Sleep or Idle modes. The WDT module may be used to wake the device from Sleep or Idle mode. When the WDT times out in a power-saving mode, a Non-Maskable Interrupt (NMI) is generated and the WDTO bit (RCON[4]) is set. The NMI vectors execution to the CPU start-up address, but does not reset registers or peripherals. If the device was in Sleep, the SLEEP status bit (RCON[3]) will also be set. If the device was in Idle, the IDLE status bit (RCON[2]) will also be set. These bits allow the start-up code to determine the cause of the wake-up.

9.3.6 WDT NMI Reset Delay

On those devices that have a NMI reset counter, it is possible to program a delay time between a WDT event and a device Reset. Refer to the “Resets” chapter in the specific device data sheet, and **Section 7. “Resets”** (DS60001118) in the “PIC32 Family Reference Manual” for details.

9.3.7 Time Delays on Wake

There will be a time delay between the WDT event in Sleep and the beginning of code execution. The duration of this delay consists of the start-up time for the oscillator in use and the power-up timer delay, if it is enabled.

Unlike a wake-up from Sleep mode, there are no time delays associated with wake-up from Idle mode. The system clock is running during Idle mode; therefore, no start-up delays are required at wake-up.

9.3.8 Resetting the WDT

The WDT is cleared by any of the following:

- On any device Reset
- By a `WDTCONSET = 0x01` or equivalent instruction during normal execution (device-dependent; refer to the “Watchdog Timer” chapter in the specific device data sheet for availability)
- Execution of a `DEBUG` command
- Detection of a correct write value (0x5743) to the `WDTCLRKEY[15:0]` bits (`WDTCON[31:16]`) (device-dependent; refer to the “Watchdog Timer” chapter in the specific device data sheet for availability)
- Exiting from Idle or Sleep due to an interrupt

Note: The WDT is not reset when the device enters a power-saving mode. The WDT module should be serviced prior to entering a power-saving mode.

9.3.9 WDT Period Selection

The WDT is clocked from the internal LPRC Oscillator, which has a nominal frequency of 32 kHz. This creates a nominal time-out period for the WDT (`TWDT`) of 1 millisecond when the postscaler is set to the minimum value.

For devices with `CLKSEL[1:0]` bits, when the device is in Run mode, the WDT can also be clocked from `PBCLK1` or another device-dependent source. Usually, one of the other sources will be the LPRC; however, refer to the “Watchdog Timer” chapter in the specific device data sheet for availability.

Note: The WDT module time-out period is directly related to the frequency of the LPRC Oscillator. The frequency of the LPRC Oscillator will vary as a function of device operating voltage and temperature. Please refer to the specific device data sheet for LPRC clock frequency specifications.

Section 9. Watchdog, Deadman, and Power-up Timers

9.3.10 WDT Postscalers

The WDT has a 5-bit postscaler to create a wide variety of time-out periods. This postscaler provides 1:1 through 1:1048576 divider ratios (see Table 9-2). Time-out periods that range between 1 ms and 1048.576 seconds (nominal) can be achieved using the postscaler and the LPRC as the clock source.

The postscaler settings are selected using the WDTPS[4:0] Configuration bits in the DEVCFG1 register. The time-out period of the WDT is calculated, as shown in Equation 9-1.

Equation 9-1: WDT Time-out Period Calculation

$$WDT\ Period = 1\ ms \cdot 2^{Postscaler}$$

For devices with the RUNDIV[4:0] and SLPDIV[4:0] bits, the different postscaler values can be selected for Run and Sleep modes. These values are loaded at Reset based on the DEVCFG1 register. They may not be changed by software. Whereas the WDT clock source is software selectable during Run Mode using CLKSEL, the WDT always runs from the LPRC in Sleep mode.

Table 9-2: WDT Time-out Period versus Postscaler Settings^(1,2)

WDTPS[4:0]	Postscaler Ratio	Time-out Period (Non-Windowed Mode)	Time-out Period (Windowed mode) ⁽³⁾
00000	1:1	1 ms	0.75 ms
00001	1:2	2 ms	1.5 ms
00010	1:4	4 ms	3 ms
00011	1:8	8 ms	6 ms
00100	1:16	16 ms	12 ms
00101	1:32	32 ms	24 ms
00110	1:64	64 ms	48 ms
00111	1:128	128 ms	96 ms
01000	1:256	256 ms	192 ms
01001	1:512	512 ms	384 ms
01010	1:1024	1.024s	0.768s
01011	1:2048	2.048s	1.536s
01100	1:4096	4.096s	3.072s
01101	1:8192	8.192s	6.144s
01110	1:16384	16.384s	12.228s
01111	1:32768	32.768s	24.576s
10000	1:65536	65.536s	49.152s
10001	1:131072	131.072s	98.304s
10010	1:262144	262.144s	196.608s
10011	1:524288	524.288s	393.216s
10100	1:1048576	1048.576s	786.432s

- Note 1:** All other combinations will result in operation as if the postscaler was set to '10100'.
2: The periods listed are based on a 32 kHz (nominal) input clock.
3: In this case, FWDTWINSZ = 00. The WDT window is 75% of the selected WDT period.

9.4 DMT OPERATION

9.4.1 Modes of Operation

The primary function of the Deadman Timer (DMT) is to reset the processor in the event of a software malfunction. The DMT is a free-running instruction fetch timer, which is clocked whenever an instruction fetch occurs until a count match occurs. Instructions are not fetched when the processor is in Sleep mode.

The DMT consists of a 32-bit counter with a time-out count match value as specified by the DMTCNT[3:0]⁽¹⁾ bits in the DEVCFG1⁽²⁾ Configuration register.

A Deadman Timer is typically used in mission critical and safety critical applications, where any single failure of the software functionality and sequencing must be detected.

9.4.2 Enabling and Disabling the DMT

The DMT is enabled or disabled by the device configuration or controlled through software by writing to the DMTCON register.

9.4.2.1 DEVICE CONFIGURATION CONTROLLED DMT

If the FDMTEN Configuration bit in the DEVCFG1⁽²⁾ register is set, the DMT is always enabled. The ON control bit (DMTCON[15]) will reflect this by reading a '1'. In this mode, the ON bit cannot be cleared in software. To disable the DMT, the configuration must be rewritten to the device. If FDMTEN is set to '0', the DMT is disabled in hardware.

9.4.2.2 SOFTWARE CONTROLLED DMT

Software can enable the DMT by setting the ON bit in the Deadman Timer Control (DMTCON) register. However, for software control, the FDMTEN Configuration bit in the DEVCFG1⁽²⁾ register should be set to '0'.

9.4.3 DMT Count Windowed Interval

The DMT has a windowed operation mode. The DMTINTV[2:0] Configuration bits in the DEVCFG1⁽²⁾ register set the window interval value. In Windowed mode, software can clear the WDT only when the counter is in its final window before a count match occurs. The window is active when the counter is greater than a predetermined value for each option. If the DMT is cleared before the allowed window an NMI is immediately generated.

9.4.4 DMT Operation in Power-saving Modes

Since the Deadman Timer is only incremented by instruction fetches, the count value will not change when the core is inactive. The DMT remains inactive in Sleep and Idle modes.

9.4.5 Resetting the DMT

Clearing the DMT counter value requires a special sequence of operations in two steps:

1. The STEP1 bits in the DMTPRECLR register must be written as '01000000' (0x40). If any other value is written, a BAD1 bit is set. This bit remains set until a device Reset. If STEP1 is done after another STEP1 without STEP2, the BAD1 bit is then set.
2. The STEP2 bits in the DMTCLR register must be written as '00001000' (0x08). This can only be done if preceded by STEP 1.

If STEP2 is done without doing STEP1, the BAD2 bit is set. On the next clock, the DMTEVENT bit will be set and the device will enter an NMI (refer to the "Resets" chapter in the specific device data sheet) or a reset. If the NMI delay is used, the flags will remain active. The user may choose to use the NMI routine to save the values of the status registers in non-volatile memory for examination at a later time.

-
1. The DMTCNT width may vary from device to device. Refer to the "Resets" chapter in the specific device data sheet for more information.
 2. The device configuration register used for DMT may not be the same for all devices. Refer to the device-specific data sheet for details.

Section 9. Watchdog, Deadman, and Power-up Timers

It is absolutely essential to have a STEP1 action followed by a STEP2 action with no other occurrences of either step in the sequence to clear the DMT.

A system Reset also resets the Deadman Timer.

9.4.6 DMT Count Selection

The Deadman Timer count is set by the DMTCNT[3:0]⁽¹⁾ bits in the DEVCFG1⁽²⁾ register. The current DMT count value can be obtained from the Deadman Timer Count register, DMTCNT.

The PSCNT[31:0] bits in the DMTPSCNT register allow the software to read the maximum count selected for the Deadman Timer. The PSCNT bits hold the value of the DMTCNT Configuration bits in the DEVCFG1⁽²⁾ register.

The DMTINTV[2:0] bits in the DEVCFG1⁽²⁾ register determine the interval number of instructions between needing to clear the DMT.

The PSINTV[31:0] bits in DMTPSINTV register allow the software to read the DMT timer count window interval.

-
1. The DMTCNT width may vary from device to device. Refer to the “**Resets**” chapter in the specific device data sheet for more information.
 2. The device configuration register used for DMT may not be the same for all devices. Refer to the device-specific data sheet for details.

9.5 INTERRUPT AND RESET GENERATION

9.5.1 Watchdog Timer Reset

The WDT will cause a NMI or a device Reset when it expires. The power-saving mode of the device determines which event occurs. The PWRT does not generate interrupts or resets.

When the WDT module expires and the device is not in Sleep or Idle mode, a device Reset is generated. The CPU code execution jumps to the device reset vector and the registers and peripherals are forced to their reset values.

To detect a WDT Reset, the WDTO bit (RCON[4]), SLEEP bit (RCON[3]) and IDLE bit (RCON[2]) must be tested. If the WDTO bit is a '1', the event was due to a WDT time-out. The SLEEP and IDLE bits can then be tested to determine if the WDT event occurred while the device was awake or if it was in Sleep or Idle mode.

9.5.2 Watchdog Timer NMI

When the WDT module expires in Sleep or Idle, a NMI is generated. The NMI causes the CPU code execution to jump to the device reset vector. Although the NMI shares the same vector as a device Reset, registers and peripherals are not reset.

To detect a wake from a power-saving mode by the WDT, the WDTO bit (RCON[4]), SLEEP bit (RCON[3]) and IDLE bit (RCON[2]) must be tested. If the WDTO bit is a '1', the event was caused by a WDT time-out. The SLEEP and IDLE bits can then be tested to determine if the WDT event occurred in Sleep or Idle modes.

To cause a WDT time-out in Sleep mode to act like an interrupt, a return from interrupt instruction (`RETFIE`) may be used in the start-up code after the event was determined to be a WDT wake-up. This will cause code execution to continue with the opcode following the `WAIT` instruction that put the device into the power-saving mode (see [Example 9-2](#)).

<p>Note: On those devices that have a NMI reset counter, it is possible to program a delay time between a WDT event and a device Reset. Refer to the “Resets” chapter in the specific device data sheet, and Section 7. “Resets” (DS60001118) in the “PIC32 Family Reference Manual” for details.</p>

Section 9. Watchdog, Deadman, and Power-up Timers

Example 9-2: Sample Code to Determine the Cause of a WDT Event

```
// sample code to determine the cause of a WDT event

// Unlock the OSCCON register
SYSKEY = 0x12345678;           //write invalid key to force lock
SYSKEY = 0xAA996655;         //write Key1 to SYSKEY
SYSKEY = 0x556699AA;         //write Key2 to SYSKEY
// OSCCON is now unlocked

OSCCONSET = 0x10;             // set power save mode to Sleep

// Alternate relock code in 'C'
SYSREG = 0x33333333;
// OSCCON is relocked

WDTCONSET = 0x8000;           //Enable WDT

while (1)
{
    ... user code ...

    WDTCONSET = 0x01;         // service the WDT
                                // In certain devices, software must write a 0x5743
                                // to WDTCON[31:16] using a single 16-bit write
    tmp = RCON;               // Perform a dummy read before WAIT instruction
    asm volatile ( "wait" );  // put device into selected power-saving mode

    // code execution will resume here after wake

    ... user code ...
}

// The following code fragment is at the top of the device start-up code

if (( RCON & 0x18 ) == 0x18)
{
    // The WDT caused a wake from sleep
    asm volatile ( "eret" );    // return from interrupt
}

if (( RCON & 0x14 ) == 0x14)
{
    // The WDT caused a wake from idle
    asm volatile ( "eret" );    // return from interrupt
}

if (( RCON & 0x10 ) == 0x10)
{
    // WDT timed out (device may have been awake or may have been in Sleep/Idle mode)
}
```

9.5.3 Determining Device Status When a WDT Event Has Occurred

To detect a WDT Reset, the WDTO bit (RCON[4]), SLEEP bit (RCON[3]), and IDLE bit (RCON[2]) must be tested. If the WDTO bit is a '1', the event was due to a WDT time-out. The SLEEP and IDLE bits can then be tested to determine whether the WDT event occurred while the device was awake or if it was in Sleep or Idle mode. The user should clear the WDTO, SLEEP, and IDLE bits in the Interrupt Service Routine (ISR) to allow software to correctly determine the source of a subsequent WDT event.

9.5.4 Wake From a Power-Saving Mode By a non-WDT Event

When the device is awakened from a power-saving mode by an interrupt, the WDT is cleared. Practically, this extends the time until the next WDT generated device Reset occurs, so that an unintended WDT event does not occur too soon after the interrupt that woke the device.

9.5.5 Deadman Timer Reset

A Deadman Timer event results when the device is not in Sleep or Idle mode and the DMT value reaches the maximum count set by the DMTCNT[3:0] bits in the DEVCFG1 Configuration register. A DMT event can also result if a proper sequence of key words are not used to clear the DMT (see [9.4.4 “DMT Operation in Power-saving Modes”](#)) or if the user software attempts to clear the DMT outside of the clear window (set by the DMTINTV[2:0] Configuration bits). A DMT event will force the device to enter into a NMI.

9.5.6 Determining Device Status When a DMT Event Has Occurred

To detect a DMT reset, the DMTEVENT bit (DMSTAT[5]) must be tested. If this bit is set, it indicates a DMT event due to counter time-out or incorrect STEP1 or STEP2 values (used for clearing the DMT). If the DMTO bit (RCON[5]) is set in the Reset Control register, it indicates a DMT time-out. If the BAD1 bit (DMTSTAT[7]) is set, it indicates an incorrect STEP1 value. If the BAD2 bit (DMTSTAT[6]) is set, it indicates an incorrect STEP2 value.

Section 9. Watchdog, Deadman, and Power-up Timers

9.6 I/O PINS

The PWRT is disabled when the internal voltage regulator is enabled. A device without an internal voltage regulator will always have the PWRT enabled. A device with an internal voltage regulator will enable the PWRT when the VREG pin is tied to ground (to disable the regulator).

9.7 OPERATION IN DEBUG AND POWER-SAVING MODES

9.7.1 WDT Operation in Power-Saving Modes

The WDT can be used to wake the device from Sleep or Idle mode. The WDT continues to operate in power-saving modes. A time-out can then be used to wake the device. This allows the device to remain in Sleep mode until the WDT expires or another interrupt wakes the device.

If the device does not re-enter Sleep or Idle mode following a wake-up, the WDT must be disabled or periodically serviced to prevent a device Reset.

9.7.2 WDT Operation in Sleep Mode

The WDT, if enabled, will continue operation in Sleep mode. The WDT may be used to wake the device from Sleep mode. When the WDT times out in Sleep, a NMI is generated and the WDTO bit (RCON[4]) is set. The NMI vectors execution to the CPU start-up address, but does not reset registers or peripherals. The Sleep status bit (RCON[3]) will be set indicating the device was in Sleep mode. These bits allow the start-up code to determine the cause of the wake-up.

9.7.3 WDT Operation in Idle Mode

The WDT, if enabled, will continue operation in Idle mode. The WDT may be used to wake the device from Idle mode. When the WDT times out in Idle, a NMI is generated and the WDTO bit (RCON[4]) is set. The NMI vectors execution to the CPU start-up address, but does not reset registers or peripherals. The IDLE status bit (RCON[2]) will be set indicating the device was in Idle mode. These bits allow the start-up code to determine the cause of the wake-up.

9.7.4 Time Delays During Wake-up

The delay between a WDT time-out and the beginning of code execution depends on the power-saving mode.

There will be a time delay between the WDT event in Sleep mode and the beginning of code execution. The duration of this delay consists of the start-up time for the oscillator in use and the PWRT delay, if it is enabled.

Unlike a wake-up from Sleep mode, there are no time delays associated with wake-up from Idle mode. The system clock is running during Idle mode; therefore, no start-up delays are required at wake-up.

9.7.5 WDT Operation in Debug Mode

The WDT is always suspended in Debug mode, and therefore does not time-out.

9.7.6 DMT Operation in Sleep and Idle Modes

The DMT is inactive in Sleep and Idle modes as there are no instruction fetches.

9.8 EFFECTS OF VARIOUS RESETS

Any form of device Reset will clear the WDT. The reset will return the WDTCON register to the default value and the WDT will be disabled unless it is enabled by the device configuration.

Note: After a device Reset, the WDT ON bit (WDTCON[15]) will reflect the state of the FWDTEN bit (DEVCFG1[23]).

9.9 RELATED APPLICATION NOTES

This section lists application notes that are related to this section of the manual. These application notes may not be written specifically for the PIC32 device family, but the concepts are pertinent and could be used with modification and possible limitations. The current application notes related to the Watchdog, Deadman, and Power-up Timers module are:

Title	Application Note #
No related application notes at this time.	N/A

Note: Visit the Microchip web site (www.microchip.com) for additional application notes and code examples for the PIC32 family of devices.

Section 9. Watchdog, Deadman, and Power-up Timers

9.10 REVISION HISTORY

Revision A (October 2007)

This is the initial released version of this document.

Revision B (October 2007)

Updated document to remove Confidential status.

Revision C (April 2008)

Revised status to Preliminary; Revised U-0 to r-x.

Revision D (June 2008)

Revised Registers 29-1, bit 14; Revised Registers 29-26, 29-27, Footnote; Revised Examples 29-1 and 29-9; Change Reserved bits from “Maintain as” to “Write”; Added Note to ON bit (RTCCON Register).

Revision E (November 2010)

This revision includes the following updates:

- Added information to **9.3.7 “Resetting the WDT”**, which states that the Watchdog Timer can be cleared by executing a `DEBUG` command
- Added a Note at the beginning of the section, which provides information on complementary documentation
- Added a Note regarding the shaded bit names in Register 9-2
- Added Notes describing the Clear, Set and Invert registers associated with the WDTCON and RCON registers in Table 9-1
- Revised Register 9-1 and Register 9-2
- The following registers were removed:
 - RCONCLR, RCONSET, RCONINV
 - WDTCONCLR, WDTCONSET, WDTCONINV
 - DEVCFG1
- Updated the FWDTPS bit as WDTPS bit throughout the document
- Minor changes to the text and formatting have been incorporated throughout the document

Revision F (July 2011)

This revision includes the following updates:

- Added the WDTWINEN bit to the SFR summary table and the Watchdog Timer Control Register (see Table 9-1 and Register 9-1)
- Updated the reset value definition for the SWDTPS[4:0] bits in the Watchdog Timer Control Register (see Register 9-1)
- Removed the Notes describing the Clear, Set and Invert register from the WDTCON and RCON registers (see Register 9-1 and Register 9-2)
- Updated Note 1 in the RCON register (see Register 9-2)
- Updated 9.3 “Operation” to clarify the windowed modes of operation
- Added 9.3.1 “Modes of Operation”, which introduces information on windowed modes of operation
- Updated 9.3.2 “Enabling and Disabling the WDT” and 9.3.3 “Device Configuration Controlled WDT” with information on windowed modes of operation
- Added 9.3.4.1 “Watchdog Timer Programmable Window” with information on configuring Windowed mode
- Added a new column, Time-out Period (Programmable Windowed mode), to the WDT Time-out Period versus Postscaler Settings (see Table 9-2)
- Removed 9.8 “Design Tips”
- Modifications to register formatting and minor text updates have been incorporated throughout the document

Revision G (November 2013)

This revision includes the following updates:

- The entire document was updated to include content describing the Deadman Timer
- Minor updates to text and formatting were incorporated throughout the document

Revision H (June 2015)

This revision includes the following updates:

- The Watchdog Timer and Power-up Timer block diagram was updated (see [Figure 9-1](#))
- An additional WDTCON register for specific device families was added to the Watchdog, Deadman, and Power-up Timers register map (see [Table 9-1](#) and [Register 9-2](#))
- The RCON register was updated (see [Table 9-1](#) and [Register 9-4](#))
- [9.3.9 “WDT Period Selection”](#) was updated
- [9.3.10 “WDT Postscalars”](#) was updated

Revision J (September 2020)

This revision includes the following updates:

- Added PIC32MZ W1 specific WDTCON registers in:
 - [Table 9-1](#)
 - [Register 9-3](#)
- Added DMTCNT and DEVCFG related notes in following:
 - [Figure 9-2](#)
 - [Register 9-5](#), [Register 9-10](#) and [Register 9-11](#)
 - [Section 9.4.1 “Modes of Operation”](#), [Section 9.3.4.1 “Watchdog Timer Programmable Window”](#), [Section 9.4.2.1 “Device Configuration Controlled DMT”](#), [Section 9.4.3 “DMT Count Windowed Interval”](#) and [Section 9.4.6 “DMT Count Selection”](#)

Section 9. Watchdog, Deadman, and Power-up Timers

NOTES:

PIC32 Family Reference Manual

Note the following details of the code protection feature on Microchip devices:

- Microchip products meet the specifications contained in their particular Microchip Data Sheet.
- Microchip believes that its family of products is secure when used in the intended manner and under normal conditions.
- There are dishonest and possibly illegal methods being used in attempts to breach the code protection features of the Microchip devices. We believe that these methods require using the Microchip products in a manner outside the operating specifications contained in Microchip's Data Sheets. Attempts to breach these code protection features, most likely, cannot be accomplished without violating Microchip's intellectual property rights.
- Microchip is willing to work with any customer who is concerned about the integrity of its code.
- Neither Microchip nor any other semiconductor manufacturer can guarantee the security of its code. Code protection does not mean that we are guaranteeing the product is "unbreakable." Code protection is constantly evolving. We at Microchip are committed to continuously improving the code protection features of our products. Attempts to break Microchip's code protection feature may be a violation of the Digital Millennium Copyright Act. If such acts allow unauthorized access to your software or other copyrighted work, you may have a right to sue for relief under that Act.

Information contained in this publication is provided for the sole purpose of designing with and using Microchip products. Information regarding device applications and the like is provided only for your convenience and may be superseded by updates. It is your responsibility to ensure that your application meets with your specifications.

THIS INFORMATION IS PROVIDED BY MICROCHIP "AS IS". MICROCHIP MAKES NO REPRESENTATIONS OR WARRANTIES OF ANY KIND WHETHER EXPRESS OR IMPLIED, WRITTEN OR ORAL, STATUTORY OR OTHERWISE, RELATED TO THE INFORMATION INCLUDING BUT NOT LIMITED TO ANY IMPLIED WARRANTIES OF NON-INFRINGEMENT, MERCHANTABILITY, AND FITNESS FOR A PARTICULAR PURPOSE OR WARRANTIES RELATED TO ITS CONDITION, QUALITY, OR PERFORMANCE.

IN NO EVENT WILL MICROCHIP BE LIABLE FOR ANY INDIRECT, SPECIAL, PUNITIVE, INCIDENTAL OR CONSEQUENTIAL LOSS, DAMAGE, COST OR EXPENSE OF ANY KIND WHATSOEVER RELATED TO THE INFORMATION OR ITS USE, HOWEVER CAUSED, EVEN IF MICROCHIP HAS BEEN ADVISED OF THE POSSIBILITY OR THE DAMAGES ARE FORESEEABLE. TO THE FULLEST EXTENT ALLOWED BY LAW, MICROCHIP'S TOTAL LIABILITY ON ALL CLAIMS IN ANY WAY RELATED TO THE INFORMATION OR ITS USE WILL NOT EXCEED THE AMOUNT OF FEES, IF ANY, THAT YOU HAVE PAID DIRECTLY TO MICROCHIP FOR THE INFORMATION. Use of Microchip devices in life support and/or safety applications is entirely at the buyer's risk, and the buyer agrees to defend, indemnify and hold harmless Microchip from any and all damages, claims, suits, or expenses resulting from such use. No licenses are conveyed, implicitly or otherwise, under any Microchip intellectual property rights unless otherwise stated.

Trademarks

The Microchip name and logo, the Microchip logo, Adaptec, AnyRate, AVR, AVR logo, AVR Freaks, BesTime, BitCloud, chipKIT, chipKIT logo, CryptoMemory, CryptoRF, dsPIC, FlashFlex, flexPWR, HELDO, IGLoo, JukeBlox, KeeLoq, Klear, LANCheck, LinkMD, maXStylus, maXTouch, MediaLB, megaAVR, Microsemi, Microsemi logo, MOST, MOST logo, MPLAB, OptoLyzer, PackTime, PIC, picoPower, PICSTART, PIC32 logo, PolarFire, Prochip Designer, QTouch, SAM-BA, SenGenuity, SpyNIC, SST, SST Logo, SuperFlash, Symmetricom, SyncServer, Tachyon, TempTracker, TimeSource, tinyAVR, UNI/O, Vectron, and XMEGA are registered trademarks of Microchip Technology Incorporated in the U.S.A. and other countries.

APT, ClockWorks, The Embedded Control Solutions Company, EtherSynch, FlashTec, Hyper Speed Control, HyperLight Load, IntelliMOS, Libero, motorBench, mTouch, Powermite 3, Precision Edge, ProASIC, ProASIC Plus, ProASIC Plus logo, Quiet-Wire, SmartFusion, SyncWorld, Temux, TimeCesium, TimeHub, TimePictra, TimeProvider, Vite, WinPath, and ZL are registered trademarks of Microchip Technology Incorporated in the U.S.A.

Adjacent Key Suppression, AKS, Analog-for-the-Digital Age, Any Capacitor, AnyIn, AnyOut, BlueSky, BodyCom, CodeGuard, CryptoAuthentication, CryptoAutomotive, CryptoCompanion, CryptoController, dsPICDEM, dsPICDEM.net, Dynamic Average Matching, DAM, ECAN, EtherGREEN, In-Circuit Serial Programming, ICSP, INICnet, Inter-Chip Connectivity, JitterBlocker, KlearNet, KlearNet logo, memBrain, MIndi, MiWi, MPASM, MPF, MPLAB Certified logo, MPLIB, MPLINK, MultiTRAK, NetDetach, Omniscient Code Generation, PICDEM, PICDEM.net, PICkit, PICtail, PowerSmart, PureSilicon, QMatrix, REAL ICE, Ripple Blocker, SAM-ICE, Serial Quad I/O, SMART-I.S., SQI, SuperSwitcher, SuperSwitcher II, Total Endurance, TSHARC, USBCheck, VariSense, ViewSpan, WiperLock, Wireless DNA, and ZENA are trademarks of Microchip Technology Incorporated in the U.S.A. and other countries.

SQTP is a service mark of Microchip Technology Incorporated in the U.S.A.

The Adaptec logo, Frequency on Demand, Silicon Storage Technology, and Symmcom are registered trademarks of Microchip Technology Inc. in other countries.

GestIC is a registered trademark of Microchip Technology Germany II GmbH & Co. KG, a subsidiary of Microchip Technology Inc., in other countries.

All other trademarks mentioned herein are property of their respective companies.

© 2020, Microchip Technology Incorporated, All Rights Reserved.

ISBN: 978-1-5224-6582-9

For information regarding Microchip's Quality Management Systems, please visit www.microchip.com/quality.



MICROCHIP

Worldwide Sales and Service

AMERICAS

Corporate Office
2355 West Chandler Blvd.
Chandler, AZ 85224-6199
Tel: 480-792-7200
Fax: 480-792-7277
Technical Support:
<http://www.microchip.com/support>
Web Address:
www.microchip.com

Atlanta

Duluth, GA
Tel: 678-957-9614
Fax: 678-957-1455

Austin, TX

Tel: 512-257-3370

Boston

Westborough, MA
Tel: 774-760-0087
Fax: 774-760-0088

Chicago

Itasca, IL
Tel: 630-285-0071
Fax: 630-285-0075

Dallas

Addison, TX
Tel: 972-818-7423
Fax: 972-818-2924

Detroit

Novi, MI
Tel: 248-848-4000

Houston, TX

Tel: 281-894-5983

Indianapolis

Noblesville, IN
Tel: 317-773-8323
Fax: 317-773-5453
Tel: 317-536-2380

Los Angeles

Mission Viejo, CA
Tel: 949-462-9523
Fax: 949-462-9608
Tel: 951-273-7800

Raleigh, NC

Tel: 919-844-7510

New York, NY

Tel: 631-435-6000

San Jose, CA

Tel: 408-735-9110
Tel: 408-436-4270

Canada - Toronto

Tel: 905-695-1980
Fax: 905-695-2078

ASIA/PACIFIC

Australia - Sydney
Tel: 61-2-9868-6733

China - Beijing
Tel: 86-10-8569-7000

China - Chengdu
Tel: 86-28-8665-5511

China - Chongqing
Tel: 86-23-8980-9588

China - Dongguan
Tel: 86-769-8702-9880

China - Guangzhou
Tel: 86-20-8755-8029

China - Hangzhou
Tel: 86-571-8792-8115

China - Hong Kong SAR
Tel: 852-2943-5100

China - Nanjing
Tel: 86-25-8473-2460

China - Qingdao
Tel: 86-532-8502-7355

China - Shanghai
Tel: 86-21-3326-8000

China - Shenyang
Tel: 86-24-2334-2829

China - Shenzhen
Tel: 86-755-8864-2200

China - Suzhou
Tel: 86-186-6233-1526

China - Wuhan
Tel: 86-27-5980-5300

China - Xian
Tel: 86-29-8833-7252

China - Xiamen
Tel: 86-592-2388138

China - Zhuhai
Tel: 86-756-3210040

ASIA/PACIFIC

India - Bangalore
Tel: 91-80-3090-4444

India - New Delhi
Tel: 91-11-4160-8631

India - Pune
Tel: 91-20-4121-0141

Japan - Osaka
Tel: 81-6-6152-7160

Japan - Tokyo
Tel: 81-3-6880-3770

Korea - Daegu
Tel: 82-53-744-4301

Korea - Seoul
Tel: 82-2-554-7200

Malaysia - Kuala Lumpur
Tel: 60-3-7651-7906

Malaysia - Penang
Tel: 60-4-227-8870

Philippines - Manila
Tel: 63-2-634-9065

Singapore
Tel: 65-6334-8870

Taiwan - Hsin Chu
Tel: 886-3-577-8366

Taiwan - Kaohsiung
Tel: 886-7-213-7830

Taiwan - Taipei
Tel: 886-2-2508-8600

Thailand - Bangkok
Tel: 66-2-694-1351

Vietnam - Ho Chi Minh
Tel: 84-28-5448-2100

EUROPE

Austria - Wels
Tel: 43-7242-2244-39
Fax: 43-7242-2244-393

Denmark - Copenhagen
Tel: 45-4485-5910
Fax: 45-4485-2829

Finland - Espoo
Tel: 358-9-4520-820

France - Paris
Tel: 33-1-69-53-63-20
Fax: 33-1-69-30-90-79

Germany - Garching
Tel: 49-8931-9700

Germany - Haan
Tel: 49-2129-3766400

Germany - Heilbronn
Tel: 49-7131-72400

Germany - Karlsruhe
Tel: 49-721-625370

Germany - Munich
Tel: 49-89-627-144-0
Fax: 49-89-627-144-44

Germany - Rosenheim
Tel: 49-8031-354-560

Israel - Ra'anana
Tel: 972-9-744-7705

Italy - Milan
Tel: 39-0331-742611
Fax: 39-0331-466781

Italy - Padova
Tel: 39-049-7625286

Netherlands - Drunen
Tel: 31-416-690399
Fax: 31-416-690340

Norway - Trondheim
Tel: 47-7288-4388

Poland - Warsaw
Tel: 48-22-3325737

Romania - Bucharest
Tel: 40-21-407-87-50

Spain - Madrid
Tel: 34-91-708-08-90
Fax: 34-91-708-08-91

Sweden - Gothenberg
Tel: 46-31-704-60-40

Sweden - Stockholm
Tel: 46-8-5090-4654

UK - Wokingham
Tel: 44-118-921-5800
Fax: 44-118-921-5820