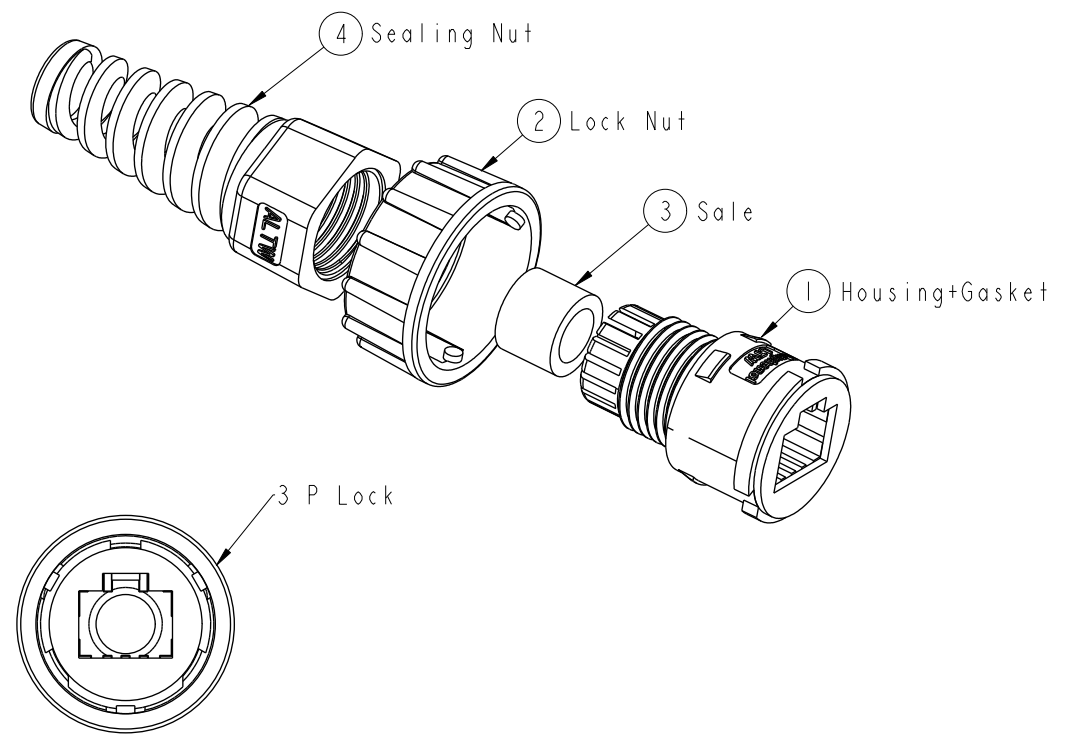
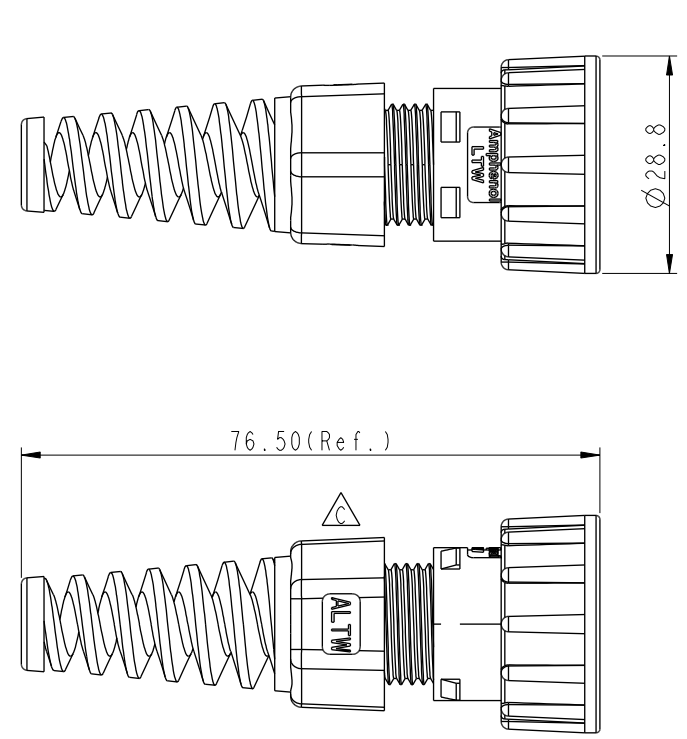


THIS DOCUMENT IS SUBJECT TO CHANGE WITHOUT NOTICE. IT IS CONFIDENTIAL AND A PROPERTY OF AMPHENOL LTW. DISCLOSURE TO THIRD PARTY HAS TO BE AUTHORIZED BY AMPHENOL LTW.

REV.	ECN NO.	DATE	SIGN	DESCRIPTION
B	LE31490143	2014/09/03	Joyy	Change to 94V0 materail
C	LEN1540067	2015/03/25	Ruru	Change Logo
D	C201856	2020/11/25	Vicky	$\triangle D$ *2



- $\triangle D$  Note:
- \*  $\odot$  Important Dimension To Check
  - \* Waterproof Rate: IP67, Mated
  - \* Gasket: Rubber, Gray
  - $\triangle B$  \* Housing: Thermoplastic, Black
  - \* Lock Nut: Thermoplastic, Black
  - $\triangle B$  \* Sealing Nut: Thermoplastic, Black
  - \* Seal For Cable OD  $\phi 4.5\text{mm} \sim \phi 7.5\text{mm}$
  - \* One Set Unassembled In One PE Bag

UNIT: mm			TITLE RJ, D PLASTIC, NONE CABLE W/SR, M, FI COMPLED, 3LOCK	$\triangle D$
TOLERANCE	.X $\pm 0.25$	.XX $\pm 0.1$	.XXX $\pm 0.05$	ANGLES $\pm 1^\circ$
SCALE	1:1	SIZE	A4	SHEET 1 OF 1
REV.	D	WC-REV.	A.11	$\odot$ : Inspection item

**Amphenol LTW**  
安費諾亮泰企業股份有限公司

ITEM NO.	RDP-00AMMA-TLM7001	DRAWN BY	Ruru	DATE	2015-03-25
DWG NO.	RDP-00AMMA-TLM7001	CHECKED BY	Rita	DATE	2015-03-25
CUSTOMER	ALTW	APPROVED BY	Lion	DATE	2015-03-25

# Mouser Electronics

Authorized Distributor

Click to View Pricing, Inventory, Delivery & Lifecycle Information:

[Amphenol:](#)

[RDP-00AMMA-TLM7001](#)