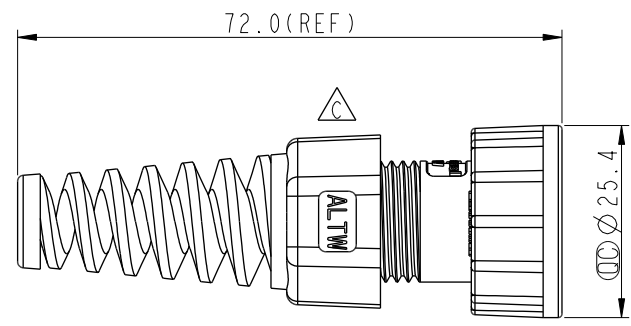
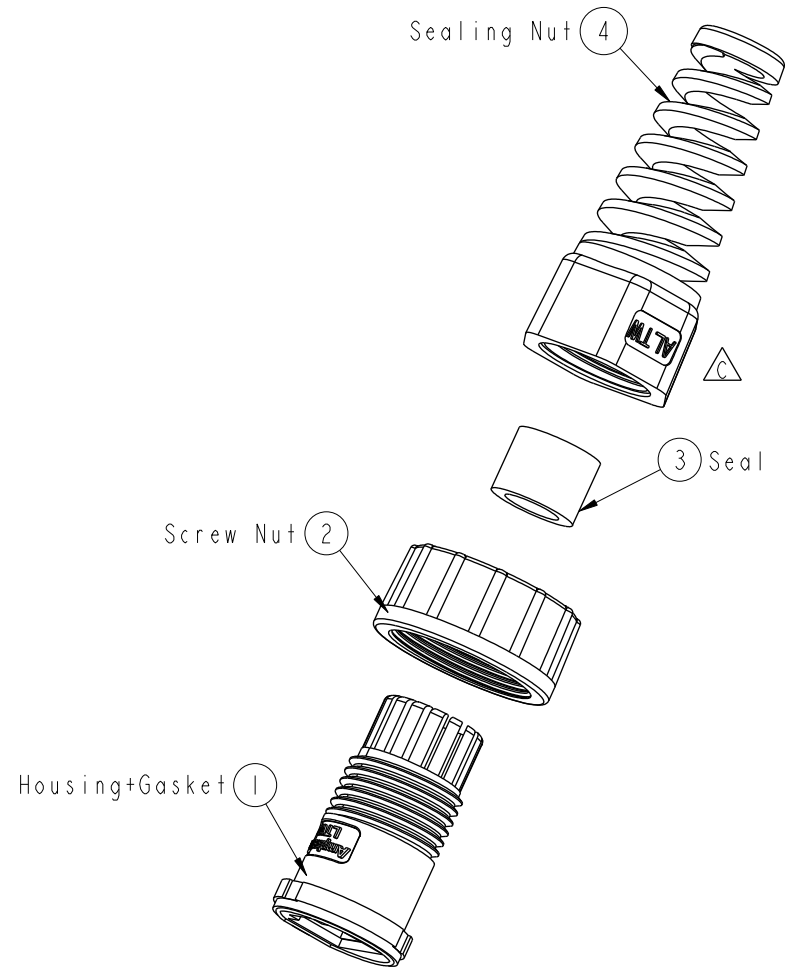


THIS DOCUMENT IS SUBJECT TO CHANGE WITHOUT NOTICE. IT IS CONFIDENTIAL AND A PROPERTY OF AMPHENOL LTW. DISCLOSURE TO THIRD PARTY HAS TO BE AUTHORIZED BY AMPHENOL LTW.

| REV. | ECN NO. | DATE | SIGN | DESCRIPTION |
|------|------------|------------|--------|-------------------------|
| B | LE31490138 | 2014/09/01 | Joyy | Change to 94v0 material |
| C | LEN15A0376 | 2014/12/24 | Jinhai | Change Logo |
| D | C201856 | 2020/11/25 | Vicky | $\triangle D$ *2 |



- $\triangle D$ Note:
- * \varnothing Important Dimension To Check
 - * Waterproof Rate: IP67, Mated
 - $\triangle B$ * Housing: Thermoplastic, Black
 - * Gasket: Rubber, Gray
 - * Screw Nut: Thermoplastic, Black
 - $\triangle B$ * Sealing Nut: Thermoplastic, Black.
 - * Seal: Rubber, Gray.
 - * Seal For Cable OD $\varnothing 4.5\text{mm} \sim \varnothing 7.5\text{mm}$
 - * One Set Unassembled On One PE Bag

| | | |
|-----------|---------------|--|
| UNIT: mm | | |
| TOLERANCE | ± 0.25 | |
| .X | ± 0.1 | |
| .XX | ± 0.05 | |
| .XXX | ± 0.05 | |
| ANGLES | $\pm 1^\circ$ | |

| | | | |
|--|---------|---------------------------------|----|
| TITLE RJ, C PLASTIC, NONE CABLE W/SR, M, FI COMPLETED, SCREW | | | |
| SCALE | SIZE | SHEET | OF |
| 1:1 | A4 | 1 | 1 |
| REV. | WC-REV. | \varnothing : Inspection item | |
| D | A.10 | | |

Amphenol LTW
安費諾亮泰企業股份有限公司

| | | | | | |
|----------|--------------------|-------------|--------|------|------------|
| ITEM NO. | RCP-00AMMA-SLM7001 | DRAWN BY | Jinhai | DATE | 2014-12-24 |
| DWG NO. | RCP-00AMMA-SLM7001 | CHECKED BY | Tom | DATE | 2014-12-24 |
| CUSTOMER | ALTW | APPROVED BY | Jerry | DATE | 2014-12-24 |

Mouser Electronics

Authorized Distributor

Click to View Pricing, Inventory, Delivery & Lifecycle Information:

[Amphenol:](#)

[RCP-00AMMA-SLM7001](#)