

20V<sub>IN</sub>, 15A Step-Down DC/DC  
μModule Regulator

**FEATURES**

- Complete Solution in <math><1\text{cm}^2</math> (Single-Sided PCB) or <math>0.5\text{cm}^2</math> (Dual-Sided PCB)
- 6.25mm × 6.25mm × 5.02mm BGA Package
- Wide Input Voltage Range: 3.1V to 20V
- 0.6V to 5.5V Output Voltage
- 15A DC Output Current
- ±1.5% Maximum Total DC Output Voltage Error Over Line, Load and Temperature
- Differential Remote Sensing Amp
- Current Mode Control, Fast Transient Response
- External Frequency Synchronization
- Multiphase Parallel Current Sharing with Multiple LTM4638s
- Output Voltage Tracking
- Selectable Discontinuous Mode
- Power Good Indicator
- Overvoltage, Overcurrent and Overtemperature Protection

**APPLICATIONS**

- Telecom, Datacom, Networking and Industrial Equipment
- Medical Diagnostic Equipment
- Data Storage Rack Units and Cards
- Test and Debug Systems

**DESCRIPTION**

The LTM<sup>®</sup>4638 is a complete 15A step-down switching mode μModule (power module) regulator in a tiny 6.25mm × 6.25mm × 5.02mm BGA package. Included in the package are the switching controller, power FETs, inductor and support components. Operating over an input voltage range of 3.1V to 20V, the LTM4638 supports an output voltage range of 0.6V to 5.5V, set by a single external resistor. Its high efficiency design delivers up to 15A continuous output current. Only bulk input and output capacitors are needed. The LTM4638 product video is available on the website. [▶](#)

The LTM4638 supports selectable discontinuous mode operation and output voltage tracking for supply rail sequencing. Its high switching frequency and current mode control enable a very fast transient response to line and load changes without sacrificing stability.

Fault protection features include overvoltage, overcurrent and overtemperature protection.

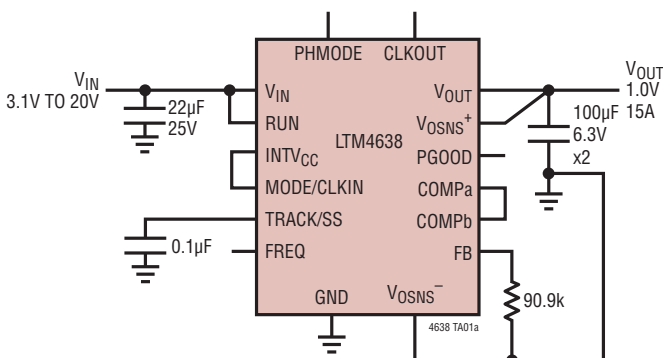
The LTM4638 is available with SnPb or RoHS compliant terminal finish.

All registered trademarks and trademarks are the property of their respective owners.

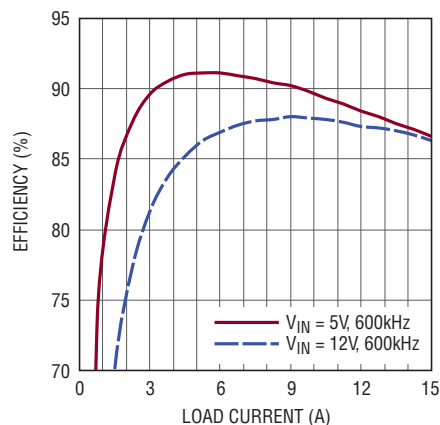
[▶](#) Click to view associated Video Design Idea.

**TYPICAL APPLICATION**

15A, 1.0V Output DC/DC μModule<sup>®</sup> Step-Down Regulator



1.0V Output Efficiency vs Load Current



4638 TA01b

# LTM4638

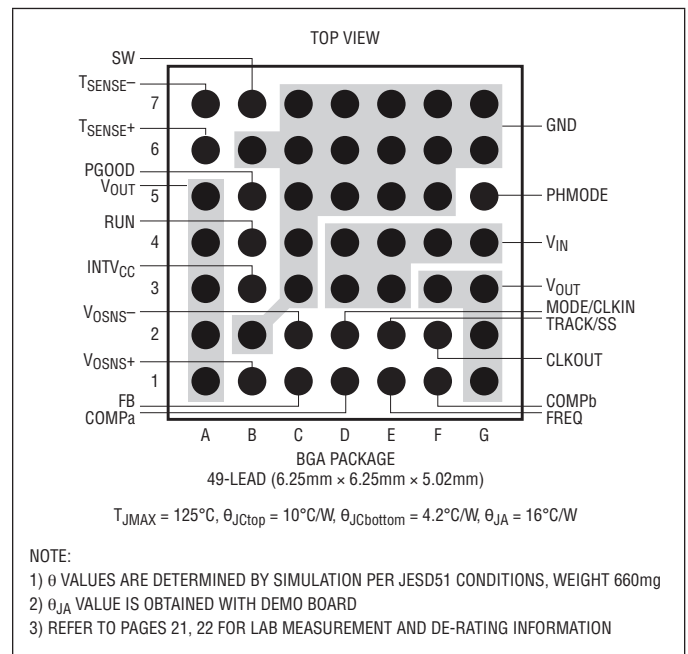
## ABSOLUTE MAXIMUM RATINGS

(Note 1)

|                                                                   |                      |
|-------------------------------------------------------------------|----------------------|
| $V_{IN}$ .....                                                    | -0.3V to 22V         |
| $V_{OUT}$ .....                                                   | -0.3V to 6V          |
| $INTV_{CC}$ .....                                                 | -0.3V to 3.6V        |
| RUN .....                                                         | -0.3V to $V_{IN}$    |
| PGOOD, $FREQ$ , $COMP_a$ , $COMP_b$ ,<br>PHMODE, CLKOUT, FB ..... | -0.3V to 3.6V        |
| MODE/CLKIN, TRACK/SS .....                                        | -0.3V to $INTV_{CC}$ |
| $V_{OSNS}^+$ .....                                                | -0.3V to 6V          |
| $V_{OSNS}^-$ .....                                                | -0.3V to 0.3V        |
| Internal Operating Temperature Range<br>(Notes 2, 5) .....        | -40°C to 125°C       |
| Storage Temperature Range .....                                   | -55°C to 125°C       |
| Peak Solder Reflow Body Temperature .....                         | 250°C                |

## PIN CONFIGURATION

(See Pin Functions, Pin Configuration Table)



## ORDER INFORMATION

| PART NUMBER   | PAD OR BALL FINISH | PART MARKING* |             | PACKAGE TYPE | MSL RATING | TEMPERATURE RANGE (NOTE 2) |
|---------------|--------------------|---------------|-------------|--------------|------------|----------------------------|
|               |                    | DEVICE        | FINISH CODE |              |            |                            |
| LTM4638EY#PBF | SAC305 (RoHS)      | 4638          | e1          | BGA          | 3          | -40°C to 125°C             |
| LTM4638IY#PBF | SAC305 (RoHS)      | 4638          | e1          | BGA          | 3          | -40°C to 125°C             |
| LTM4638IY     | SnPb               | 4638          | e0          | BGA          | 3          | -40°C to 125°C             |

• Contact the factory for parts specified with wider operating temperature ranges. \*Pad or ball finish code is per IPC/JEDEC J-STD-609.

- [Recommended LGA and BGA PCB Assembly and Manufacturing Procedures](#)
- [LGA and BGA Package and Tray Drawings](#)

## ELECTRICAL CHARACTERISTICS

The ● denotes the specifications which apply over the specified internal operating temperature range (Note 2), otherwise specifications are at  $T_A = 25^\circ\text{C}$ .  $V_{IN} = 12\text{V}$  per the typical application shown on the front page.

| SYMBOL                                          | PARAMETER                                                   | CONDITIONS                                                                                                                                                                                                           | MIN | TYP             | MAX        | UNITS    |                |
|-------------------------------------------------|-------------------------------------------------------------|----------------------------------------------------------------------------------------------------------------------------------------------------------------------------------------------------------------------|-----|-----------------|------------|----------|----------------|
| <b>Switching Regulator Section: per Channel</b> |                                                             |                                                                                                                                                                                                                      |     |                 |            |          |                |
| $V_{IN}$                                        | Input DC Voltage                                            |                                                                                                                                                                                                                      | ●   | 3.1             | 20         | V        |                |
| $V_{OUT}$                                       | Output Voltage Range                                        |                                                                                                                                                                                                                      | ●   | 0.6             | 5.5        | V        |                |
| $V_{OUT(DC)}$                                   | Output Voltage, Total Variation with Line and Load (Note 6) | $C_{IN} = 22\mu\text{F}$ , $C_{OUT} = 100\mu\text{F}$ Ceramic, $R_{FB} = 40.2\text{k}$ ,<br>MODE = INTV <sub>CC</sub> , $I_{OUT} = 0\text{A}$ to $15\text{A}$ (Note 3)<br>$-40^\circ\text{C}$ to $125^\circ\text{C}$ | ●   | 1.477           | 1.50       | 1.523    | V              |
| $V_{RUN}$                                       | RUN Pin On Threshold                                        | $V_{RUN}$ Rising                                                                                                                                                                                                     |     | 1.1             | 1.25       | 1.35     | V              |
| $I_{Q(VIN)}$                                    | Input Supply Bias Current                                   | $V_{IN} = 12\text{V}$ , $V_{OUT} = 1.5\text{V}$ , MODE = INTV <sub>CC</sub><br>$V_{IN} = 12\text{V}$ , $V_{OUT} = 1.5\text{V}$ , MODE = GND<br>Shutdown, RUN = 0, $V_{IN} = 12\text{V}$                              |     | 100<br>18<br>20 |            |          | mA<br>mA<br>μA |
| $I_{S(VIN)}$                                    | Input Supply Current                                        | $V_{IN} = 12\text{V}$ , $V_{OUT} = 1.5\text{V}$ , $I_{OUT} = 15\text{A}$                                                                                                                                             |     | 2.3             |            |          | A              |
| $I_{OUT(DC)}$                                   | Output Continuous Current Range                             | $V_{IN} = 12\text{V}$ , $V_{OUT} = 1.5\text{V}$                                                                                                                                                                      |     | 0               | 15         |          | A              |
| $\Delta V_{OUT}(\text{Line})/V_{OUT}$           | Line Regulation Accuracy                                    | $V_{OUT} = 1.5\text{V}$ , $V_{IN} = 3.1\text{V}$ to $20\text{V}$ , $I_{OUT} = 0\text{A}$                                                                                                                             | ●   | 0.04            | 0.15       |          | %/V            |
| $\Delta V_{OUT}(\text{Load})/V_{OUT}$           | Load Regulation Accuracy                                    | $V_{OUT} = 1.5\text{V}$ , $I_{OUT} = 0\text{A}$ to $15\text{A}$                                                                                                                                                      | ●   | 0.5             | 1.2        |          | %              |
| $V_{OUT(AC)}$                                   | Output Ripple Voltage                                       | $I_{OUT} = 0\text{A}$ , $C_{OUT} = 100\mu\text{F}$ Ceramic, $V_{IN} = 12\text{V}$ ,<br>$V_{OUT} = 1.5\text{V}$                                                                                                       |     | 5               |            |          | mV             |
| $\Delta V_{OUT(START)}$                         | Turn-On Overshoot                                           | $I_{OUT} = 0\text{A}$ , $C_{OUT} = 100\mu\text{F}$ Ceramic, $V_{IN} = 12\text{V}$ ,<br>$V_{OUT} = 1.5\text{V}$                                                                                                       |     | 30              |            |          | mV             |
| $t_{START}$                                     | Turn-On Time                                                | $C_{OUT} = 100\mu\text{F}$ Ceramic, No Load, TRACK/SS = $0.01\mu\text{F}$ ,<br>$V_{IN} = 12\text{V}$ , $V_{OUT} = 1.5\text{V}$                                                                                       |     | 2.5             |            |          | ms             |
| $\Delta V_{OUTLS}$                              | Peak Deviation for Dynamic Load                             | Load: 0% to 50% to 0% of Full Load, $C_{OUT} = 47\mu\text{F}$<br>Ceramic, $V_{IN} = 12\text{V}$ , $V_{OUT} = 1.5\text{V}$                                                                                            |     | 160             |            |          | mV             |
| $t_{SETTLE}$                                    | Settling Time for Dynamic Load Step                         | Load: 0% to 50% to 0% of Full Load, $C_{OUT} = 47\mu\text{F}$<br>Ceramic, $V_{IN} = 12\text{V}$ , $V_{OUT} = 1.5\text{V}$                                                                                            |     | 40              |            |          | μs             |
| $I_{OUTPK}$                                     | Output Current Limit                                        | $V_{IN} = 12\text{V}$ , $V_{OUT} = 1.5\text{V}$                                                                                                                                                                      |     | 18              |            |          | A              |
| $V_{FB}$                                        | Voltage at FB Pin                                           | $I_{OUT} = 0\text{A}$ , $V_{OUT} = 1.5\text{V}$                                                                                                                                                                      | ●   | 0.594           | 0.60       | 0.606    | V              |
| $I_{FB}$                                        | Current at FB Pin                                           | (Note 4)                                                                                                                                                                                                             |     |                 | ±30        |          | nA             |
| $R_{FBHI}$                                      | Resistor Between $V_{OUT}$ and FB Pins                      |                                                                                                                                                                                                                      |     | 60.05           | 60.40      | 60.75    | kΩ             |
| $I_{TRACK/SS}$                                  | Track Pin Soft-Start Pull-Up Current                        | TRACK/SS = 0V                                                                                                                                                                                                        |     | 6               | 10         |          | μA             |
| $V_{IN(UVLO)}$                                  | $V_{IN}$ Undervoltage Lockout                               | $V_{IN}$ Falling<br>$V_{IN}$ Hysteresis                                                                                                                                                                              |     | 2.5             | 2.6<br>250 | 2.7      | V<br>mV        |
| $t_{ON(MIN)}$                                   | Minimum On-Time                                             | (Note 4)                                                                                                                                                                                                             |     | 25              |            |          | ns             |
| $t_{OFF(MIN)}$                                  | Minimum Off-Time                                            | (Note 4)                                                                                                                                                                                                             |     | 50              |            |          | ns             |
| $V_{PGOOD}$                                     | PGOOD Trip Level                                            | $V_{FB}$ With Respect to Set Output<br>$V_{FB}$ Ramping Negative<br>$V_{FB}$ Ramping Positive                                                                                                                        |     | -12<br>5        | -8<br>8    | -5<br>12 | %<br>%         |
| $I_{PGOOD}$                                     | PGOOD Leakage                                               |                                                                                                                                                                                                                      |     |                 | 2          |          | μA             |
| $V_{PGL}$                                       | PGOOD Voltage Low                                           | $I_{PGOOD} = 1\text{mA}$                                                                                                                                                                                             |     | 0.02            | 0.1        |          | V              |

## ELECTRICAL CHARACTERISTICS

The ● denotes the specifications which apply over the specified internal operating temperature range (Note 2), otherwise specifications are at  $T_A = 25^\circ\text{C}$ .  $V_{IN} = 12\text{V}$  per the typical application shown on the front page.

| SYMBOL       | PARAMETER                 | CONDITIONS                         | MIN | TYP | MAX | UNITS |
|--------------|---------------------------|------------------------------------|-----|-----|-----|-------|
| $V_{INTVCC}$ | Internal $V_{CC}$ Voltage | $V_{IN} = 4\text{V to }20\text{V}$ | 3.2 | 3.3 | 3.4 | V     |
| $f_{OSC}$    | Oscillator Frequency      |                                    |     | 600 |     | kHz   |

**Note 1:** Stresses beyond those listed under Absolute Maximum Ratings may cause permanent damage to the device. Exposure to any Absolute Maximum Rating condition for extended periods may affect device reliability and lifetime.

**Note 2:** The LTM4638 is tested under pulsed load conditions such that  $T_J \approx T_A$ . The LTM4638E is guaranteed to meet performance specifications over the  $0^\circ\text{C}$  to  $125^\circ\text{C}$  internal operating temperature range. Specifications over the  $-40^\circ\text{C}$  to  $125^\circ\text{C}$  internal operating temperature range are assured by design, characterization and correlation with statistical process controls. The LTM4638I is guaranteed to meet specifications over the full  $-40^\circ\text{C}$  to  $125^\circ\text{C}$  internal operating temperature range. Note that the

maximum ambient temperature consistent with these specifications is determined by specific operating conditions in conjunction with board layout, the rated package thermal resistance and other environmental factors.

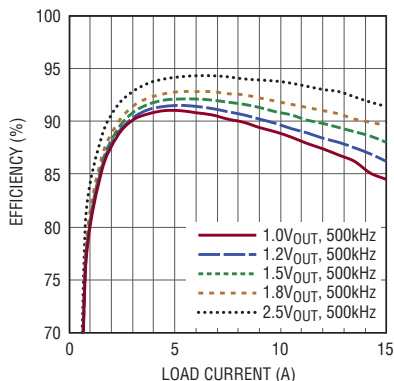
**Note 3:** See output current derating curves for different  $V_{IN}$ ,  $V_{OUT}$  and  $T_A$ .

**Note 4:** 100% tested at wafer level.

**Note 5:** This IC includes overtemperature protection that is intended to protect the device during momentary overload conditions. Junction temperature will exceed  $125^\circ\text{C}$  when overtemperature protection is active. Continuous operation above the specified maximum operating junction temperature may impair device reliability.

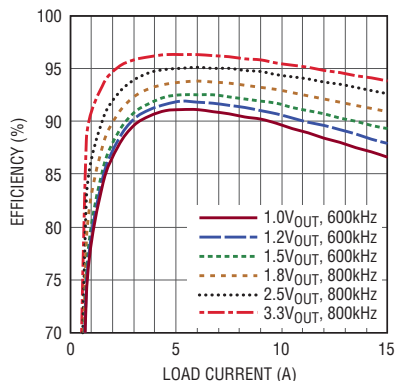
# TYPICAL PERFORMANCE CHARACTERISTICS

**Efficiency vs Load Current from 3.3V<sub>IN</sub>**



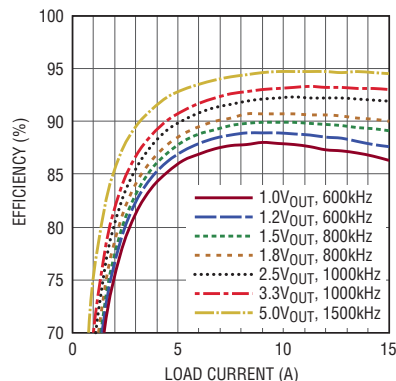
4638 G01

**Efficiency vs Load Current from 5V<sub>IN</sub>**



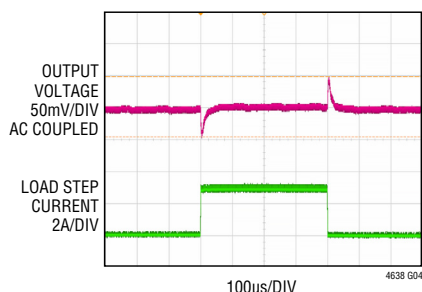
4638 G02

**Efficiency vs Load Current from 12V<sub>IN</sub>**



4638 G03

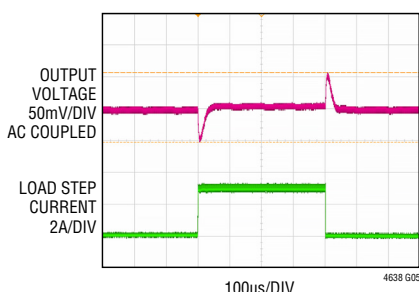
**1V Output Transient Response**



4638 G04

V<sub>IN</sub>=12V, V<sub>OUT</sub>=1.0V, f<sub>S</sub>=600kHz  
C<sub>OUT</sub> = 3x 100µF + 1x 22µF CERAMIC CAPACITOR  
INTERNAL COMPENSATION, COMP<sub>a</sub> CONNECT TO  
COMP<sub>b</sub>, C<sub>FF</sub>=33pF

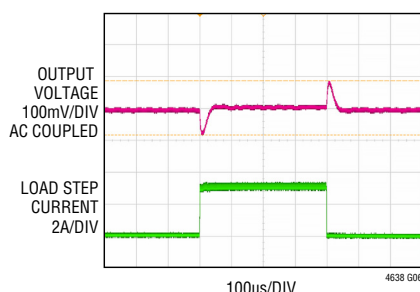
**1.5V Output Transient Response**



4638 G05

V<sub>IN</sub>=12V, V<sub>OUT</sub>=1.5V, f<sub>S</sub>=800kHz  
C<sub>OUT</sub> = 3x 100µF + 1x 22µF CERAMIC CAPACITOR  
INTERNAL COMPENSATION, COMP<sub>a</sub> CONNECT TO  
COMP<sub>b</sub>, C<sub>FF</sub>=33pF

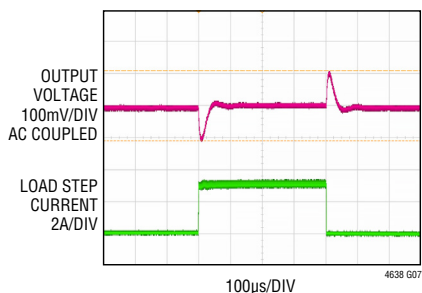
**2.5V Output Transient Response**



4638 G06

V<sub>IN</sub>=12V, V<sub>OUT</sub>=2.5V, f<sub>S</sub>=1000kHz  
C<sub>OUT</sub> = 3x 100µF + 1x 22µF CERAMIC CAPACITOR  
INTERNAL COMPENSATION, COMP<sub>a</sub> CONNECT TO  
COMP<sub>b</sub>, C<sub>FF</sub>=33pF

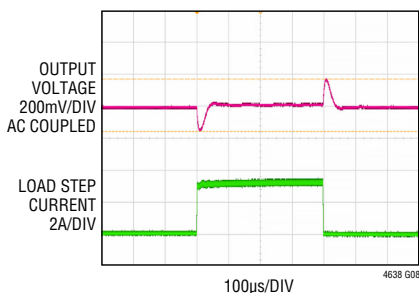
**3.3V Output Transient Response**



4638 G07

V<sub>IN</sub>=12V, V<sub>OUT</sub>=3.3V, f<sub>S</sub>=1000kHz  
C<sub>OUT</sub> = 3x 100µF + 1x 22µF CERAMIC CAPACITOR  
INTERNAL COMPENSATION, COMP<sub>a</sub> CONNECT TO  
COMP<sub>b</sub>, C<sub>FF</sub>=33pF

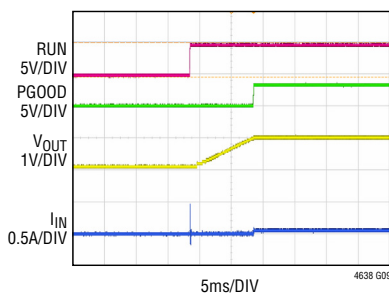
**5V Output Transient Response**



4638 G08

V<sub>IN</sub>=12V, V<sub>OUT</sub>=5V, f<sub>S</sub>=1500kHz  
C<sub>OUT</sub> = 3x 100µF + 1x 22µF CERAMIC CAPACITOR  
INTERNAL COMPENSATION, COMP<sub>a</sub> CONNECT TO  
COMP<sub>b</sub>, C<sub>FF</sub>=33pF

**Start-up Waveform Without Load Current**

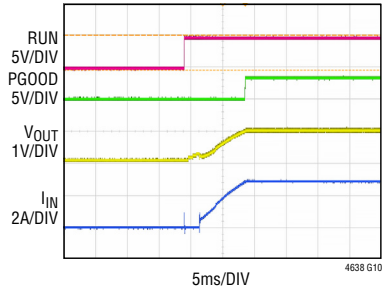


4638 G09

V<sub>IN</sub>=12V, V<sub>OUT</sub>=1V, f<sub>S</sub>=600kHz  
C<sub>OUT</sub> = 3x 100µF + 1x 22µF CERAMIC CAPACITOR  
INTERNAL COMPENSATION, COMP<sub>a</sub> CONNECT TO  
COMP<sub>b</sub>, C<sub>FF</sub>=33pF, C<sub>SS</sub>=0.1µF

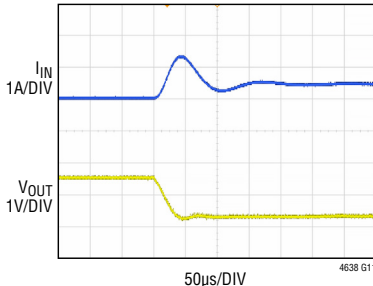
## TYPICAL PERFORMANCE CHARACTERISTICS

**Start-up Waveform with 15A Load Current**



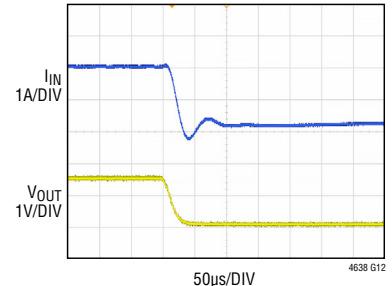
$V_{IN}=12V$ ,  $V_{OUT}=1V$ ,  $f_S=600kHz$   
 $C_{OUT} = 3 \times 100\mu F + 1 \times 22\mu F$  CERAMIC CAPACITOR  
 INTERNAL COMPENSATION, COMP<sub>a</sub> CONNECT TO  
 COMP<sub>b</sub>,  $C_{FF}=33pF$ ,  $C_{SS}=0.1\mu F$

**Output Short Circuit Waveform without Load Applied**



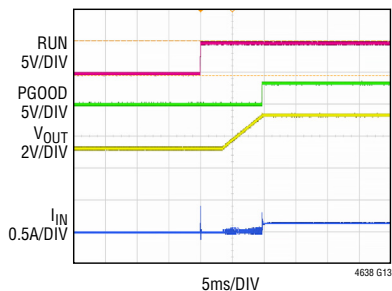
$V_{IN}=12V$ ,  $V_{OUT}=1.5V$ ,  $f_S=800kHz$   
 $C_{OUT} = 3 \times 100\mu F + 1 \times 22\mu F$  CERAMIC CAPACITOR  
 INTERNAL COMPENSATION, COMP<sub>a</sub> CONNECT TO  
 COMP<sub>b</sub>,  $C_{FF}=33pF$

**Output Short Circuit Waveform with 15A Load Current Applied**



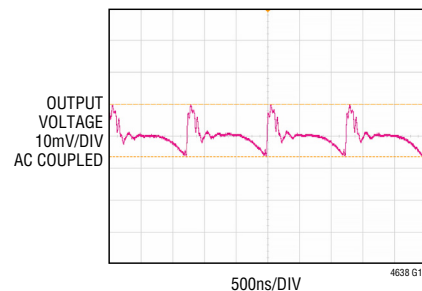
$V_{IN}=12V$ ,  $V_{OUT}=1.5V$ ,  $f_S=800kHz$   
 $C_{OUT} = 3 \times 100\mu F + 1 \times 22\mu F$  CERAMIC CAPACITOR  
 INTERNAL COMPENSATION, COMP<sub>a</sub> CONNECT TO  
 COMP<sub>b</sub>,  $C_{FF}=33pF$

**Start-up into Pre-Biased Output**



$V_{IN}=12V$ ,  $V_{OUT}=3.3V$ ,  $f_S=800kHz$   
 $C_{OUT} = 3 \times 100\mu F + 1 \times 22\mu F$  CERAMIC CAPACITOR  
 INTERNAL COMPENSATION, COMP<sub>a</sub> CONNECT TO  
 COMP<sub>b</sub>,  $C_{FF}=33pF$ , PREBIASED OUTPUT TO 1.2V,  
 $C_{SS}=0.1\mu F$

**Steady-State Output Voltage Ripple**



$V_{IN}=12V$ ,  $V_{OUT}=1.5V$ ,  $f_S=800kHz$   
 $C_{OUT} = 3 \times 100\mu F + 1 \times 22\mu F$  CERAMIC CAPACITOR  
 INTERNAL COMPENSATION, COMP<sub>a</sub> CONNECT TO  
 COMP<sub>b</sub>,  $C_{FF}=33pF$

## PIN FUNCTIONS



PACKAGE ROW AND COLUMN LABELING MAY VARY AMONG  $\mu$ Module PRODUCTS. REVIEW EACH PACKAGE LAYOUT CAREFULLY.

**V<sub>OUT</sub> (A1-A5, F3, G1-G3):** Power Output Pins of the Switching Mode Regulator. Apply output load between these pins and GND pins. Recommend placing output decoupling capacitance directly between these pins and GND pins. See the Applications Information section for paralleling outputs.

**COMP<sub>b</sub> (F1):** Internal Loop Compensation Network. Connect to COMP<sub>a</sub> to use the internal compensation in majority of applications.

**FREQ (E1):** Switching Frequency Program Pin. Frequency is set internally to 600kHz. An external resistor can be placed from this pin to GND to increase frequency, or from this pin to INTV<sub>CC</sub> to reduce frequency. See the Applications Information section for frequency adjustment.

**COMP<sub>a</sub> (D1):** Current control threshold and error amplifier compensation point of the switching mode regulator channel. The internal current comparator threshold is linearly proportional to this voltage. Tie the COMP<sub>a</sub> pins from different channels together for parallel operation. The device is internally compensated. Connect to COMP<sub>b</sub> to use the internal compensation. Or connect to a Type-II C-R-C network to use customized compensation.

**FB (C1):** The Negative Input of the Error Amplifier for the switching mode regulator. This pin is internally connected to V<sub>OSNS</sub><sup>+</sup> with a 60.4k $\Omega$  precision resistor. Output voltages can be programmed with an additional resistor between FB and V<sub>OSNS</sub><sup>-</sup> pins. In PolyPhase<sup>®</sup> operation, tying the FB pins together allows for parallel operation. See the Applications Information section for details.

**V<sub>OSNS</sub><sup>+</sup> (B1):** Positive Input to the Differential Remote Sense Amplifier. Internally, this pin is connected to FB with a 60.4k 0.5% precision resistor. See the Applications Information section for details.

**PHMODE (G5):** Control Input to the Phase Selector of the Switching Mode Regulator. Determines the phase relationship between internal oscillator and CLKOUT. Tie it to INTV<sub>CC</sub> for 2-phase operation, tie it to SGND for 3-phase operation, and tie it to INTV<sub>CC</sub>/2 for 4-phase operation. See Application Information section for details.

**TRACK/SS (E2):** Output Tracking and Soft-Start Pin of the Switching Mode Regulator. Allows the user to control the rise time of the output voltage. Putting a voltage below 0.6V on this pin bypasses the internal reference input to the error amplifier, instead it servos the FB pin to the TRACK voltage. Above 0.6V, the tracking function stops and the internal reference resumes control of the error amplifier. There's an internal 6 $\mu$ A pull-up current from INTV<sub>CC</sub> on this pin, so putting a capacitor here provides soft-start function. See the Applications Information section for details.

**MODE/CLKIN (D2):** Discontinuous Mode Select Pin and External Synchronization Input to Phase Detector. Tie MODE/CLKIN to GND for discontinuous mode of operation. Floating MODE/CLKIN or tying it to a voltage above 1V will select forced continuous mode. Furthermore, connecting MODE/CLKIN to an external clock will synchronize the system clock to the external clock and puts the part in forced continuous mode. See Applications Information section for details.

**V<sub>OSNS</sub><sup>-</sup> (C2):** Negative Input to the Differential Remote Sense Amplifier. Connect an external resistor between FB and V<sub>OSNS</sub><sup>-</sup> pin to set the output voltage of the specific channel. See the Applications Information section for details.

**CLKOUT (F2):** Output Clock Signal for PolyPhase Operation. The phase of CLKOUT with respect to CLKIN is determined by the state of the respective PHMODE pin. CLKOUT's peak-to-peak amplitude is INTV<sub>CC</sub> to GND. See Application Information section for details.

**V<sub>IN</sub> (D3-D4, E3-E4, F4, G4):** Power input pins connect to the drain of the internal top MOSFET and signal V<sub>IN</sub> to the internal 3.3V regulator for the control circuitry for each switching mode regulator channel. Apply input voltages between these pins and GND pins. Recommend placing input decoupling capacitance directly between each of V<sub>IN</sub> pins and GND pins.

**INTV<sub>CC</sub> (B3):** Internal 3.3V Regulator Output of the Switching Mode Regulator Channel. The internal power drivers and control circuits are powered from this voltage. The LTM4638 has an internal 2.2 $\mu$ F decoupling capacitor. No external decoupling capacitor is required.

## PIN FUNCTIONS

**RUN (B4):** Run Control Input Pin. Enable regulator operation by tying the specific RUN pin above 1.25V. Tying it below 1.1V shuts down the specific regulator channel.

**T<sub>SENSE</sub><sup>+</sup> (A6):** Temperature Monitor Pin. An internal diode connected NPN transistor is placed between T<sub>SENSE</sub><sup>+</sup> and T<sub>SENSE</sub><sup>-</sup> pins. See the Applications Information section.

**GND (B2, B6, C3-C7, D5-D7, E5-E7, F5-F7, G6-G7):** Power Ground Pins for Both Input and Output Returns. Use large PCB copper areas to connect all GND together.

**PGOOD (B5):** Output Power Good Pin with Open-Drain Logic. PGOOD is pulled to ground when the voltage on the FB pin is not within  $\pm 8\%$  of the internal 0.6V reference.

**T<sub>SENSE</sub><sup>-</sup> (A7):** Low Side of the Internal Temperature Monitor.

**SW (B7):** Switching node of each channel that is used for testing purposes. Also an R-C snubber network can be applied to reduce or eliminate switch node ringing, or otherwise leave floating. See the Applications Information section.

# BLOCK DIAGRAM

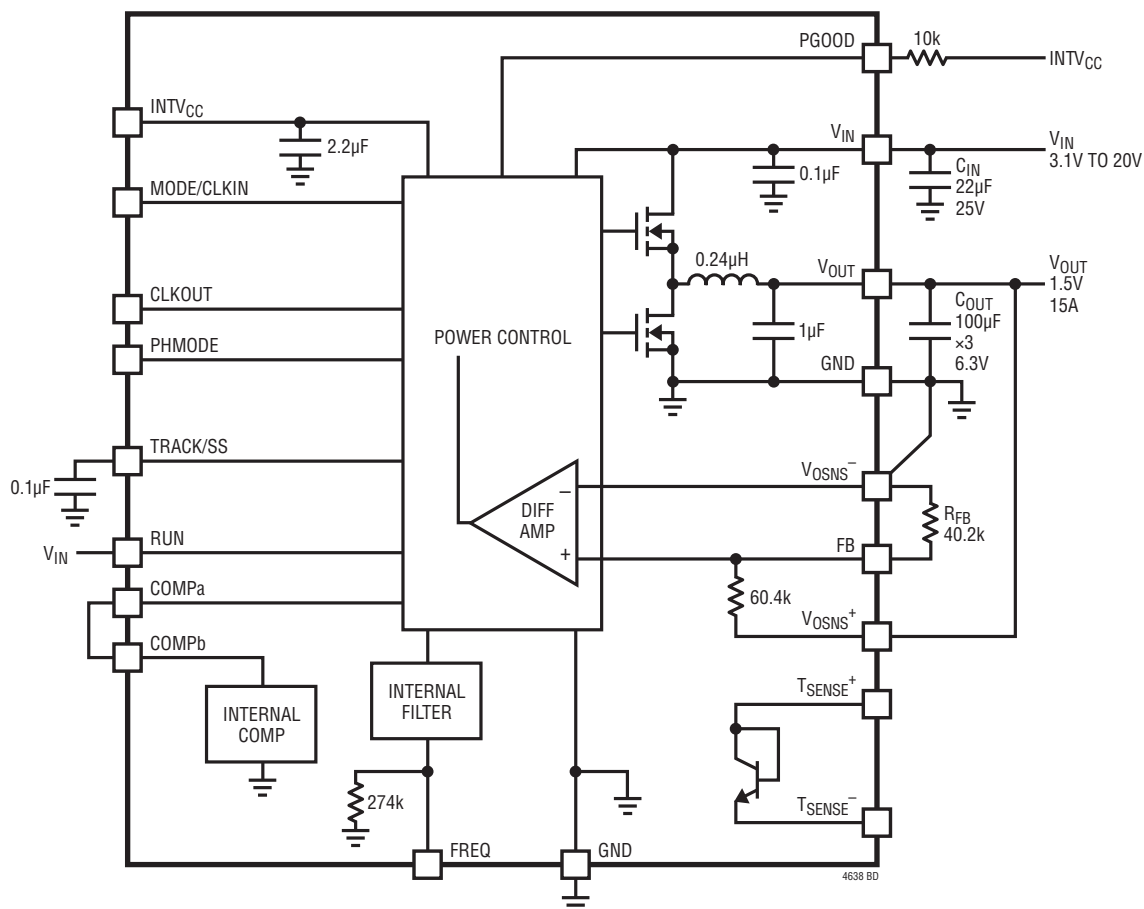


Figure 1. Simplified LTM4638 Block Diagram

# DECOUPLING REQUIREMENTS

| SYMBOL    | PARAMETER                                                                             | CONDITIONS      | MIN  | TYP  | MAX | UNITS   |
|-----------|---------------------------------------------------------------------------------------|-----------------|------|------|-----|---------|
| $C_{IN}$  | External Input Capacitor Requirement ( $V_{IN} = 3.1V$ to $20V$ , $V_{OUT} = 1.5V$ )  | $I_{OUT} = 15A$ | 22   | 44   |     | $\mu F$ |
| $C_{OUT}$ | External Output Capacitor Requirement ( $V_{IN} = 3.1V$ to $20V$ , $V_{OUT} = 1.5V$ ) | $I_{OUT} = 15A$ | 220* | 470* |     | $\mu F$ |

\*Additional capacitance may be required under extreme temperature and/or capacitor bias voltage conditions due to variation of actual capacitance over bias voltage and temperature.

## OPERATION

The LTM4638 is a standalone nonisolated switch mode DC/DC power supply. It can deliver up to 15A DC output current with few external input and output capacitors. This module provides precisely regulated output voltage adjustable between 0.6V to 5.5V via one external resistor over a 3.1V to 20V input voltage range. The typical application schematic is shown in Figure 23.

The LTM4638 contains an integrated constant on-time valley current mode regulator, power MOSFETs, inductor, and other supporting discrete components. The default switching frequency is 600kHz. For switching noise-sensitive applications, the switching frequency can be adjusted by external resistors and the  $\mu$ Module regulator can be externally synchronized to a clock within  $\pm 30\%$  of the set frequency. See the Applications Information section.

With current mode control and internal feedback loop compensation, the LTM4638 module has sufficient stability margins and good transient performance with a wide range of output capacitors, even with all ceramic output capacitors.

Current mode control provides cycle-by-cycle fast current limiting. Internal output overvoltage and undervoltage comparators pull the open-drain PGOOD output low if the output feedback voltage exits a  $\pm 8\%$  window around the regulation point. Continuous operation is forced during OV and UV condition except during start-up when the TRACK pin is ramping up to 0.6V.

Furthermore, in order to protect the internal power MOSFET devices against transient voltage spikes, the LTM4638 constantly monitors the  $V_{IN}$  pin for an overvoltage condition. When  $V_{IN}$  rises above 24.5V, the regulator suspends operation by shutting off both power MOSFETs. Once  $V_{IN}$  drops below 21.5V, the regulator immediately resumes normal operation. The regulator does not execute its soft-start function when exiting an overvoltage condition.

Multiphase operation can be easily employed with the synchronization and phase mode controls. Up to 6 phases can be cascaded to run simultaneously with respect to each other by programming the PHMODE pin to different levels. The LTM4638 has MODE/CLKIN and CLKOUT pins for PolyPhase operation of multiple devices or frequency synchronization.

Pulling the RUN pin to GND forces the controller into its shutdown state, turning off both power MOSFETs and most of the internal control circuitry. At light load currents, discontinuous mode (DCM) operation can be enabled to achieve higher efficiency compared to continuous mode (CCM) by pulling the MODE/CLKIN pin to GND. The TRACK/SS pin is used for power supply tracking and soft-start programming. See the Applications Information section.

## APPLICATIONS INFORMATION

The typical LTM4638 application circuit is shown in Figure 23. External component selection is primarily determined by the input voltage, the output voltage and the maximum load current. Refer to Table 7 for specific external capacitor requirements for a particular application.

### $V_{IN}$ to $V_{OUT}$ Step-Down Ratios

There are restrictions in the maximum  $V_{IN}$  and  $V_{OUT}$  step-down ratios that can be achieved for a given input voltage due to the minimum off-time and minimum on-time limits of the regulator. The minimum off-time limit imposes a maximum duty cycle which can be calculated as:

$$D_{MAX} = 1 - (t_{OFF(MIN)} \cdot f_{SW})$$

where  $t_{OFF(MIN)}$  is the minimum off-time, typically 50ns for LTM4638, and  $f_{SW}$  (Hz) is the switching frequency. Conversely the minimum on-time limit imposes a minimum duty cycle of the converter which can be calculated as:

$$D_{MIN} = t_{ON(MIN)} \cdot f_{SW}$$

where  $t_{ON(MIN)}$  is the minimum on-time, typically 25ns for LTM4638. In the rare cases where the minimum duty cycle is surpassed, the output voltage will still remain in regulation, but the switching frequency will decrease from its programmed value. Note that additional thermal derating may be applied. See the Thermal Considerations and Output Current Derating section in this data sheet.

### Output Voltage Programming

The PWM controller has an internal 0.6V reference voltage. As shown in the Block Diagram, a 60.4k internal feedback resistor connects the  $V_{OUT}$  and FB pins together. Adding a resistor,  $R_{FB}$ , from FB pin to  $V_{OSNS}^-$  programs the output voltage:

$$R_{FB} = \frac{0.6V}{V_{OUT} - 0.6V} \cdot 60.4k$$

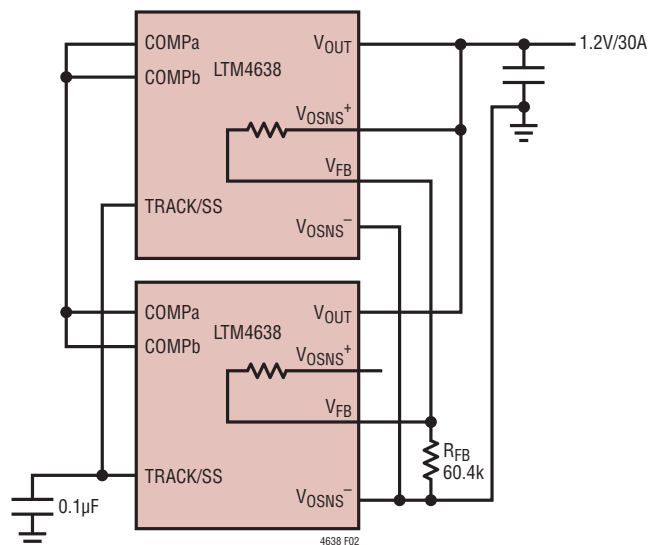
**Table 1.  $R_{FB}$  Resistor Table vs Various Output Voltages**

| $V_{OUT}$ (V)          | 0.6  | 1.0  | 1.2  | 1.5  | 1.8  | 2.5  | 3.3  | 5.0  |
|------------------------|------|------|------|------|------|------|------|------|
| $R_{FB}$ (k $\Omega$ ) | OPEN | 90.9 | 60.4 | 40.2 | 30.1 | 19.1 | 13.3 | 8.25 |

For parallel operation of multiple channels the same feedback setting resistor can be used for the parallel design. This is done by connecting the  $V_{OSNS}^+$  to the output shown

in Figure 2, thus tying one of the internal 60.4k resistors to the output. All of the  $V_{FB}$  pins tie together with one programming resistor as shown in Figure 2.

See Figure 25 for an example of parallel operation.



**Figure 2. 2-Phase Parallel Configurations**

### Input Decoupling Capacitors

The LTM4638 module should be connected to a low AC impedance DC source. For the regulator, a 22 $\mu$ F input ceramic capacitor is required for RMS ripple current decoupling. Bulk input capacitance is only needed when the input source impedance is compromised by long inductive leads, traces or not enough source capacitance. The bulk capacitor can be an aluminum electrolytic capacitor or polymer capacitor.

Without considering the inductor ripple current, the RMS current of the input capacitor can be estimated as:

$$I_{CIN(RMS)} = \frac{I_{OUT(MAX)}}{\eta\%} \cdot \sqrt{D \cdot (1-D)}$$

where  $\eta\%$  is the estimated efficiency of the power module.

### Output Decoupling Capacitors

With an optimized high frequency, high bandwidth design, only a single low ESR output ceramic capacitor is required for the LTM4638 to achieve low output ripple voltage and very good transient response. In extreme

## APPLICATIONS INFORMATION

cold or hot temperature or high output voltage case, additional ceramic capacitor or tantalum-polymer capacitor is required due to variation of actual capacitance over bias voltage and temperature. Table 7 shows a matrix of different output voltages and output capacitors to minimize the voltage droop and overshoot during a 4A load-step transient. Additional output filtering may be required by the system designer if further reduction of output ripple or dynamic transient spikes is required. The Linear Technology LTpowerCAD™ design tool is available to download online for output ripple, stability and transient response analysis for further optimization.

### Discontinuous Current Mode (DCM)

In applications where low output ripple and high efficiency at intermediate current are desired, discontinuous current mode (DCM) should be used by connecting the MODE/CLKIN pin to GND. At light loads the internal current comparator may remain tripped for several cycles and force the top MOSFET to stay off for several cycles, thus skipping cycles. The inductor current does not reverse in this mode.

### Forced Continuous Current Mode (CCM)

In applications where fixed frequency operation is more critical than low current efficiency, and where the lowest output ripple is desired, forced continuous operation should be used. Forced continuous operation can be enabled by tying the MODE/CLKIN pin to INTV<sub>CC</sub>. In this mode, inductor current is allowed to reverse during low output loads, the COMP voltage is in control of the current comparator threshold throughout, and the top MOSFET always turns on with each oscillator pulse. During start-up, forced continuous mode is disabled and inductor current is prevented from reversing until the LTM4638's output voltage is in regulation.

### Operating Frequency

The operating frequency of the LTM4638 is optimized to achieve the compact package size and the minimum output ripple voltage while still keeping high efficiency. The default operating frequency is 600kHz. In most applications, no additional frequency adjustment is required.

If an operating frequency other than 600kHz is required by the application, the operating frequency can be increased

by adding a resistor, R<sub>FSET</sub>, between the FREQ pin and SGND, as shown in Figure 24. The operating frequency can be calculated as:

$$f(\text{Hz}) = \frac{1.67e11}{274k || R_{FSET}(\Omega)}$$

The programmable operating frequency range is from 400kHz to 3MHz.

### Frequency Synchronization and Clock In

The power module has a phase-locked loop comprised of an internal voltage controlled oscillator and a phase detector. This allows the internal top MOSFET turn-on to be locked to the rising edge of the external clock. The external clock frequency range must be within ±30% around the resistor set operating frequency. A pulse detection circuit is used to detect a clock on the CLKIN pin to turn on the phase-locked loop. The pulse width of the clock has to be at least 100ns. The clock high level must be above 1V and clock low level below 0.3V. During the start-up of the regulator, the phase-locked loop function is disabled.

### Multiphase Operation

For output loads that demand more than 15A of current, multiple LTM4638s can be paralleled to run out of phase to provide more output current without increasing input and output voltage ripples.

The CLKOUT signal can be connected to the MODE/CLKIN pin of the following LTM4638 stage to line up both the frequency and the phase of the entire system. Tying the PHMODE pin to INTV<sub>CC</sub>, GND, or FLOAT generates a phase difference (between CLKIN and CLKOUT) of 180°, 120°, or 90° respectively, which corresponds to 2-phase, 3-phase, or 4-phase operation. An external clock IC (e.g., LTC6902) is highly recommended for applications that connect three or more LTM4638s in parallel. An external clock sync signal is appropriate to provide accurate phase interleaving of multiple modules. Placing more than 4 phases in parallel has not been bench-verified and is not recommended.

**Table 2. PHMODE Pin Status and Corresponding Phase Relationship (Relative to CLKIN)**

| PHMODE | INTV <sub>CC</sub> | GND  | FLOAT |
|--------|--------------------|------|-------|
| CLKOUT | 180°               | 120° | 90°   |

Rev. D

## APPLICATIONS INFORMATION

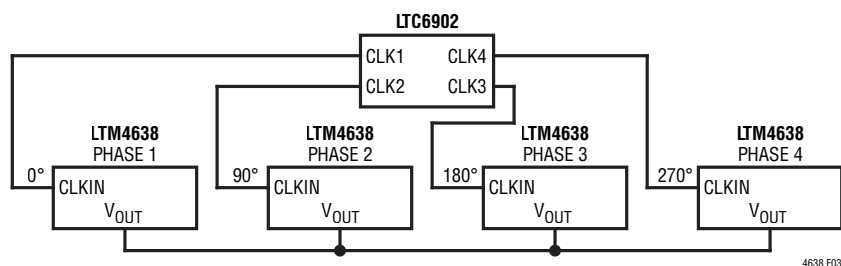


Figure 3. 4-Phase Operation with External Clock IC

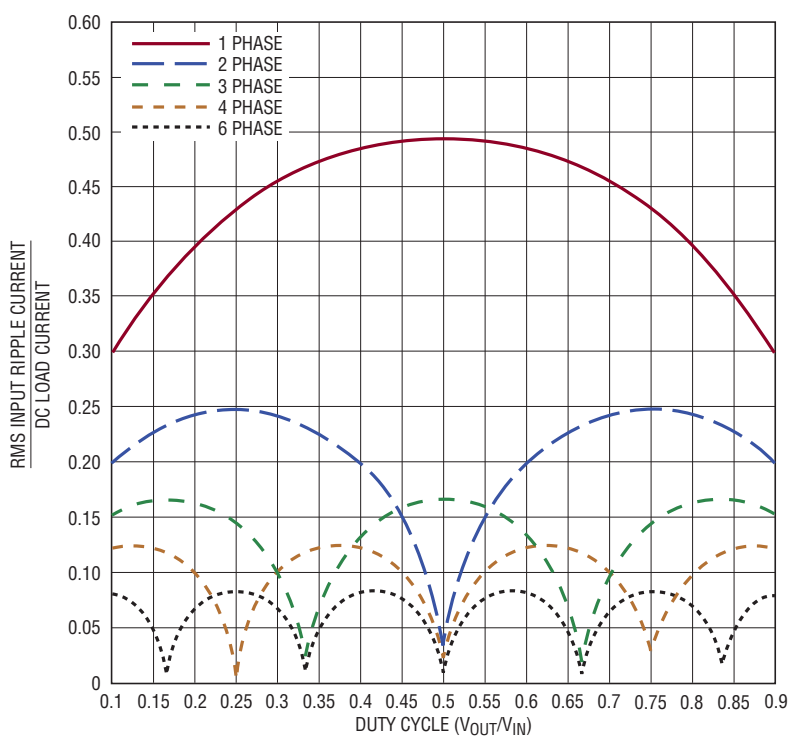


Figure 4. RMS Input Ripple Current to DC Load Current Ratio as a Function of Duty Cycle

A multiphase power supply significantly reduces the amount of ripple current in both the input and output capacitors. The RMS input ripple current is reduced by, and the effective ripple frequency is multiplied by, the number of phases used (assuming that the input voltage is greater than the number of phases used times the output voltage). The output ripple amplitude is also reduced by the number of phases used when all of the outputs are tied together to achieve a single high output current design.

The LTM4638 device is an inherently current mode controlled device, so parallel modules will have very good current sharing. This will balance the thermals on the design. Please tie the RUN, TRACK/SS, FB and COMP pins of each paralleling channel together. Figure 25 shows an example of parallel operation and pin connection.

## APPLICATIONS INFORMATION

### Input RMS Ripple Current Cancellation

Application Note 77 provides a detailed explanation of multiphase operation. The input RMS ripple current cancellation mathematical derivations are presented, and a graph is displayed representing the RMS ripple current reduction as a function of the number of interleaved phases. Figure 4 shows this graph.

### Soft-Start And Output Voltage Tracking

The TRACK/SS pin provides a means to either soft start the regulator or track it to a different power supply. A capacitor on the TRACK/SS pin will program the ramp rate of the output voltage. An internal 6µA current source will charge up the external soft-start capacitor towards INTV<sub>CC</sub> voltage. When the TRACK/SS voltage is below

0.6V, it will take over the internal 0.6V reference voltage to control the output voltage. The total soft-start time can be calculated as:

$$t_{SS} = 0.6 \cdot \frac{C_{SS}}{6\mu A}$$

where C<sub>SS</sub> is the capacitance on the TRACK/SS pin. Current foldback and forced continuous mode are disabled during the soft-start process.

Output voltage tracking can also be programmed externally using the TRACK/SS pin. The output can be tracked up and down with another regulator. Figure 5 and Figure 6 show an example waveform and schematic of ratiometric tracking where the slave regulator's output slew rate is proportional to the master's.

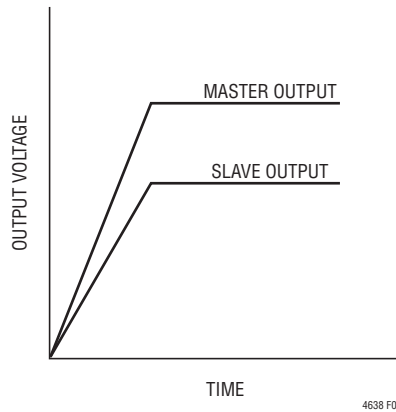


Figure 5. Output Ratiometric Tracking Waveform

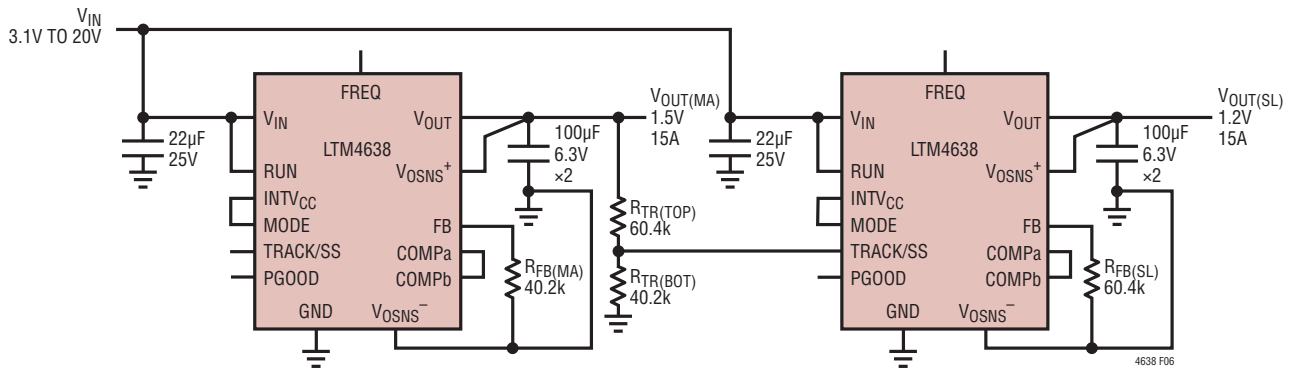


Figure 6. Example Schematic of Ratiometric Output Voltage Tracking

## APPLICATIONS INFORMATION

Since the slave regulator's TRACK/SS is connected to the master's output through a  $R_{TR(TOP)}/R_{TR(BOT)}$  resistor divider and its voltage used to regulate the slave output voltage when TRACK/SS voltage is below 0.6V, the slave output voltage and the master output voltage should satisfy the following equation during start-up:

$$V_{OUT(SL)} \cdot \frac{R_{FB(SL)}}{R_{FB(SL)} + 60.4k} =$$

$$V_{OUT(MA)} \cdot \frac{R_{TR(BOT)}}{R_{TR(TOP)} + R_{TR(BOT)}}$$

The  $R_{FB(SL)}$  is the feedback resistor and the  $R_{TR(TOP)}/R_{TR(BOT)}$  is the resistor divider on the TRACK/SS pin of the slave regulator, as shown in Figure 6.

Following the previous equation, the ratio of the master's output slew rate (MR) to the slave's output slew rate (SR) is determined by:

$$\frac{MR}{SR} = \frac{\frac{R_{FB(SL)}}{60.4k + R_{FB(SL)}}}{\frac{R_{TR(BOT)}}{R_{TR(TOP)} + R_{TR(BOT)}}}$$

For example,  $V_{OUT(MA)} = 1.5V$ ,  $MR = 1.5V/1ms$  and  $V_{OUT(SL)} = 1.2V$ ,  $SR = 1.2V/1ms$ . From the equation, we could solve that  $R_{TR(TOP)} = 60.4k$  and  $R_{TR(BOT)} = 40.2k$  are a good combination for the ratiometric tracking.

The TRACK/SS pin will have the  $2\mu A$  current source on when a resistive divider is used to implement tracking on the slave regulator. This will impose an offset on the TRACK/SS pin input. Smaller value resistors with the same ratios as the resistor values calculated from the above equation can be used. For example, where the  $60.4k$  is used then a  $6.04k$  can be used to reduce the TRACK/SS pin offset to a negligible value.

Coincident output tracking can be recognized as a special ratiometric output tracking in which the master's output slew rate (MR) is the same as the slave's output slew rate (SR), waveform as shown in Figure 7.

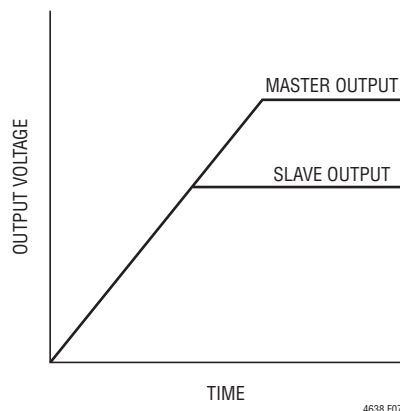


Figure 7. Output Coincident Tracking Waveform

From the equation, we could easily find that, in coincident tracking, the slave regulator's TRACK/SS pin resistor divider is always the same as its feedback divider:

$$\frac{R_{FB(SL)}}{R_{FB(SL)} + 60.4k} = \frac{R_{TR(BOT)}}{R_{TR(TOP)} + R_{TR(BOT)}}$$

For example,  $R_{TR(TOP)} = 60.4k$  and  $R_{TR(BOT)} = 60.4k$  is a good combination for coincident tracking for a  $V_{OUT(MA)} = 1.5V$  and  $V_{OUT(SL)} = 1.2V$  application.

### Power Good

The PGOOD pin is an open-drain pin that can be used to monitor valid output voltage regulation. This pin is pulled low when the output voltage exceeds a  $\pm 8\%$  window around the regulation point. To prevent unwanted PGOOD glitches during transients or dynamic  $V_{OUT}$  changes, the LTM4638's PGOOD falling edge includes a blanking delay of approximately 25 switching cycles.

### RUN Enable

Pulling the RUN pin to ground forces the LTM4638 into its shutdown state, turning off both power MOSFETs and most of its internal control circuitry. Bringing the RUN pin above 0.6V turns on the internal reference only, while still keeping the power MOSFETs off. Increasing the RUN pin voltage above 1.25V will turn on the entire chip.

## APPLICATIONS INFORMATION

### Pre-Biased Output Start-Up

There may be situations that require the power supply to start up with some charge on the output capacitors. The LTM4638 can safely power up into a pre-biased output without discharging it.

The LTM4638 accomplishes this by forcing discontinuous mode (DCM) operation until the TRACK/SS pin voltage reaches 0.6V reference voltage. This will prevent the BG from turning on during the pre-biased output start-up which would discharge the output.

### SW Pins and Snubbing Circuit

The SW pin is generally for testing purposes by monitoring the pin. The SW pin can also be used to dampen out switch node ringing caused by LC parasitic in the switched current path. Usually a series R-C combination is used called a snubber circuit. The resistor will dampen the resonance and the capacitor is chosen to only affect the high frequency ringing across the resistor.

If the stray inductance or capacitance can be measured or approximated then a somewhat analytical technique can be used to select the snubber values. The inductance is usually easier to predict. It combines the power path board inductance in combination with the MOSFET interconnect bond wire inductance.

First the SW pin can be monitored with a wide bandwidth scope with a high frequency scope probe. The ring frequency can be measured for its value. The impedance Z can be calculated:

$$Z_L = 2\pi \cdot f \cdot L$$

where f is the resonant frequency of the ring, and L is the total parasitic inductance in the switch path. If a resistor is selected that is equal to Z, then the ringing should be dampened. The snubber capacitor value is chosen so that its impedance is equal to the resistor at the ring frequency. Calculated by:

$$Z_C = \frac{1}{2\pi \cdot f \cdot C}$$

These values are a good place to start. Modification to these components should be made to attenuate the ringing with the least amount the power loss.

### Stability Compensation

The LTM4638 has already been internally optimized and compensated for all output voltages and capacitor combinations including all ceramic capacitor applications when COMPb is tied to COMPa. Please note that a 22pF to 47pF feedforward capacitor ( $C_{FF}$ ) is required connecting from  $V_{OUT}$  to  $V_{FB}$  pin for all ceramic capacitor application to achieve high bandwidth control loop compensation with enough phase margin. Table 7 is provided for most application requirements using the optimized internal compensation. For specific optimized requirement, disconnect COMPb from COMPa and apply a Type II C-R-C compensation network from COMPa to GND to achieve external compensation. The LTpowerCAD design tool is available to download online to perform specific control loop optimization and analyze the control stability and load transient performance.

### Differential Remote Sense Amplifier

An accurate differential remote sense amplifier is build into the LTM4638 to sense output voltages accurately at the remote load points. This is especially true for high current loads. It is very important that the  $V_{OSNS}^+$  and  $V_{OSNS}^-$  are connected properly at the remote output sense point, and the feedback resistor  $R_{FB}$  is connected to between  $V_{FB}$  pin to  $V_{OSNS}^-$  pin. Review the schematics in Figure 23 for reference.

In multiphase single output application. Only one set of differential sensing amplifier and one set of feedback resistor are required while connecting RUN, TRACK/SS,  $V_{OUT}$ ,  $V_{FB}$  and COMPa of different channels together. See Figure 25 for paralleling application.

### Input Overvoltage Protection

In order to protect the internal power MOSFET devices against transient voltage spikes, the LTM4638 constantly monitors each  $V_{IN}$  pin for an overvoltage condition. When  $V_{IN}$  rises above 24.5V, the regulator suspends operation by shutting off both power MOSFETs on the corresponding channel. Once  $V_{IN}$  drops below 21.5V, the regulator immediately resumes normal operation. The regulator executes its soft-start function when exiting an overvoltage condition.

## APPLICATIONS INFORMATION

### Temperature Monitoring

Measuring the absolute temperature of a diode is possible due to the relationship between current, voltage and temperature described by the classic diode equation:

$$I_D = I_S \cdot e \left( \frac{V_D}{\eta \cdot V_T} \right)$$

or

$$V_D = \eta \cdot V_T \cdot \ln \frac{I_D}{I_S}$$

where  $I_D$  is the diode current,  $V_D$  is the diode voltage,  $\eta$  is the ideality factor (typically close to 1.0) and  $I_S$  (saturation current) is a process dependent parameter.  $V_T$  can be broken out to:

$$V_T = \frac{k \cdot T}{q}$$

where  $T$  is the diode junction temperature in Kelvin,  $q$  is the electron charge and  $k$  is Boltzmann's constant.  $V_T$  is approximately 26mV at room temperature (298K) and scales linearly with Kelvin temperature. It is this linear temperature relationship that makes diodes suitable temperature sensors. The  $I_S$  term in the previous equation is the extrapolated current through a diode junction when the diode has zero volts across the terminals. The  $I_S$  term varies from process to process, varies with temperature, and by definition must always be less than  $I_D$ . Combining all of the constants into one term:

$$K_D = \frac{\eta \cdot k}{q}$$

where  $K_D = 8.62 \cdot 10^{-5}$ , and knowing  $\ln(I_D/I_S)$  is always positive because  $I_D$  is always greater than  $I_S$ , leaves us with the equation that:

$$V_D = T(\text{KELVIN}) \cdot K_D \cdot \ln \frac{I_D}{I_S}$$

where  $V_D$  appears to increase with temperature. It is common knowledge that a silicon diode biased with a current source has an approximate  $-2\text{mV}/^\circ\text{C}$  temperature relationship (Figure 8), which is at odds with the equation. In fact, the  $I_S$  term increases with temperature, reducing the  $\ln(I_D/I_S)$  absolute value yielding an approximate  $-2\text{mV}/^\circ\text{C}$  composite diode voltage slope.

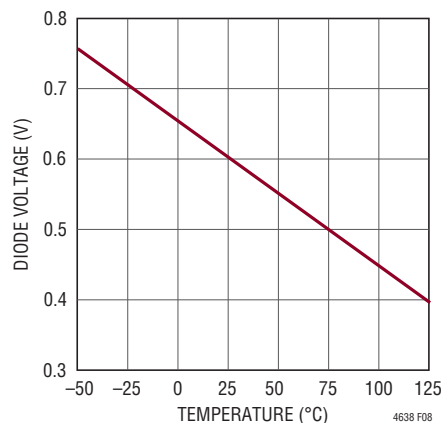


Figure 8. Diode Voltage  $V_D$  vs Temperature  $T(^\circ\text{C})$

To obtain a linear voltage proportional to temperature we cancel the  $I_S$  variable in the natural logarithm term to remove the  $I_S$  dependency from the equation 1. This is accomplished by measuring the diode voltage at two currents  $I_1$ , and  $I_2$ , where  $I_1 = 10 \cdot I_2$  and subtracting we get:

$$\Delta V_D = T(\text{KELVIN}) \cdot K_D \cdot \ln \frac{I_1}{I_S} - T(\text{KELVIN}) \cdot K_D \cdot \ln \frac{I_2}{I_S}$$

Combining like terms, then simplifying the natural log terms yields:

$$\Delta V_D = T(\text{KELVIN}) \cdot K_D \cdot \ln(10)$$

and redefining constant

$$K'_D = K_D \cdot \ln(10) = \frac{198\mu\text{V}}{\text{K}}$$

yields

$$\Delta V_D = K'_D \cdot T(\text{KELVIN})$$

Solving for temperature:

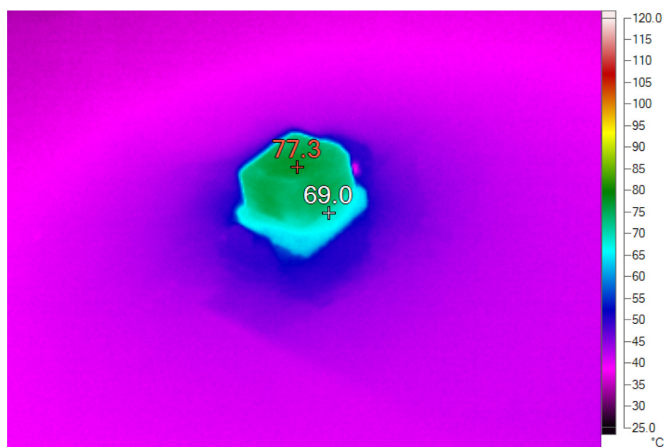
$$T(\text{KELVIN}) = \frac{\Delta V_D}{K_D} (\text{°CELSIUS}) = T(\text{KELVIN}) - 273.15$$

where

$$300^\circ\text{K} = 27^\circ\text{C}$$

means that is we take the difference in voltage across the diode measured at two currents with a ratio of 10, the resulting voltage is  $198\mu\text{V}$  per Kelvin of the junction with a zero intercept at 0 Kelvin.

The diode connected NPN transistor at the TEMP pin can be used to monitor the internal temperature of the LTM4638.



**Figure 9. Thermal Image at 12V Input, 1.0V Output Without Air Flow and Heat Sinking**

## APPLICATIONS INFORMATION

### Thermal Considerations and Output Current Derating

The thermal resistances reported in the Pin Configuration section of the data sheet are consistent with those parameters defined by JESD 51-12 and are intended for use with finite element analysis (FEA) software modeling tools that leverage the outcome of thermal modeling, simulation, and correlation to hardware evaluation performed on a  $\mu$ Module package mounted to a hardware test board. The motivation for providing these thermal coefficients is found in JESD 51-12 (Guidelines for Reporting and Using Electronic Package Thermal Information).

Many designers may opt to use laboratory equipment and a test vehicle such as the demo board to anticipate the  $\mu$ Module regulator's thermal performance in their application at various electrical and environmental operating conditions to compliment any FEA activities. Without FEA software, the thermal resistances reported in the Pin Configuration section are, in and of themselves, not relevant to providing guidance of thermal performance; instead, the derating curves provided in this data sheet can be used in a manner that yields insight and guidance pertaining to one's application usage, and can be adapted to correlate thermal performance to one's own application.

The Pin Configuration section gives four thermal coefficients explicitly defined in JESD 51-12; these coefficients are quoted or paraphrased below:

1.  $\theta_{JA}$ , the thermal resistance from junction to ambient, is the natural convection junction-to-ambient air thermal resistance measured in a one cubic foot sealed enclosure. This environment is sometimes referred to as "still air" although natural convection causes the air to move. This value is determined with the part mounted to a 95mm  $\times$  76mm PCB with four layers.
2.  $\theta_{JCbottom}$ , the thermal resistance from junction to the bottom of the product case, is determined with all of the component power dissipation flowing through the bottom of the package. In the typical  $\mu$ Module regulator, the bulk of the heat flows out the bottom of the package, but there is always heat flow out into the ambient environment. As a result, this thermal resistance value may be useful for comparing packages, but the test conditions don't generally match the user's application.
3.  $\theta_{JCtop}$ , the thermal resistance from junction to top of the product case, is determined with nearly all of the component power dissipation flowing through the top of the package. As the electrical connections of the typical  $\mu$ Module regulator are on the bottom of the package, it is rare for an application to operate such that most of the heat flows from the junction to the top of the part. As in the case of  $\theta_{JCbottom}$ , this value may be useful for comparing packages but the test conditions don't generally match the user's application.

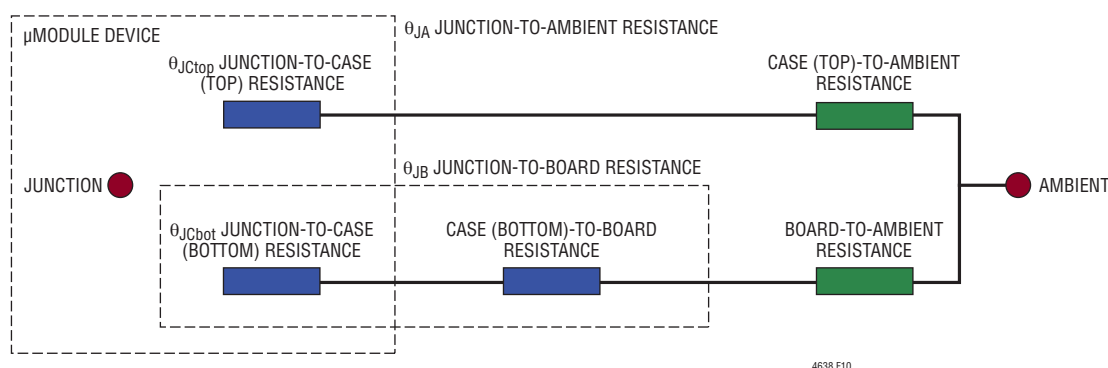


Figure 10. Graphical Representation of JESD 51-12 Thermal Coefficients

## APPLICATIONS INFORMATION

4.  $\theta_{JB}$ , the thermal resistance from junction to the printed circuit board, is the junction-to-board thermal resistance where almost all of the heat flows through the bottom of the  $\mu$ Module package and into the board, and is really the sum of the  $\theta_{JCbottom}$  and the thermal resistance of the bottom of the part through the solder joints and through a portion of the board. The board temperature is measured a specified distance from the package.

A graphical representation of the aforementioned thermal resistances is given in Figure 10; blue resistances are contained within the  $\mu$ Module regulator, whereas green resistances are external to the  $\mu$ Module package.

As a practical matter, it should be clear to the reader that no individual or sub-group of the four thermal resistance parameters defined by JEDEC 51-12 or provided in the Pin Configuration section replicates or conveys normal operating conditions of a  $\mu$ Module regulator. For example, in normal board-mounted applications, never does 100% of the device's total power loss (heat) thermally conduct exclusively through the top or exclusively through bottom of the  $\mu$ Module package—as the standard defines for  $\theta_{JCtop}$  and  $\theta_{JCbottom}$ , respectively. In practice, power loss is thermally dissipated in both directions away from the package—granted, in the absence of a heat sink and airflow, a majority of the heat flow is into the board.

Within the LTM4638 be aware there are multiple power devices and components dissipating power, with a consequence that the thermal resistances relative to different junctions of components or die are not exactly linear with respect to total package power loss. To reconcile this complication without sacrificing modeling simplicity—but also, not ignoring practical realities—an approach has been taken using FEA software modeling along with laboratory testing in a controlled environment chamber to reasonably define and correlate the thermal resistance values supplied in this data sheet: (1) Initially, FEA software is used to accurately build the mechanical geometry of the LTM4638 and the specified PCB with all of the correct material coefficients along with accurate power loss source definitions; (2) this model simulates a software-defined JEDEC environment consistent with JEDEC 51-12 to predict power loss heat flow and temperature readings at different interfaces that enable the calculation of the JEDEC-defined

thermal resistance values; (3) the model and FEA software is used to evaluate the LTM4638 with heat sink and airflow; (4) having solved for and analyzed these thermal resistance values and simulated various operating conditions in the software model, a thorough laboratory evaluation replicates the simulated conditions with thermocouples within a controlled environment chamber while operating the device at the same power loss as that which was simulated. An outcome of this process and due diligence yields the set of derating curves shown in this data sheet. After these laboratory tests have been performed and correlated to the LTM4638 model, then the  $\theta_{JB}$  and  $\theta_{BA}$  are summed together to provide a value that should closely equal the  $\theta_{JA}$  value because approximately 100% of power loss flows from the junction through the board into ambient with no airflow or top mounted heat sink.

The 1.0V, 1.5V, 3.3V and 5V power loss curves in Figure 11 to Figure 14 can be used in coordination with the load current derating curves in Figure 15 to Figure 21 for calculating an approximate  $\theta_{JA}$  thermal resistance for the LTM4638 with various airflow conditions. The power loss curves are taken at room temperature, and are increased with a multiplicative factor according to the ambient temperature. This approximate factor is: 1.2 for 120°C at junction temperature. Maximum load current is achievable while increasing ambient temperature as long as the junction temperature is less than 120°C, which is a 5°C guard band from maximum junction temperature of 125°C. When the ambient temperature reaches a point where the junction temperature is 120°C, then the load current is lowered to maintain the junction at 120°C while increasing ambient temperature up to 120°C. The derating curves are plotted with the output current starting at 15A and the ambient temperature at 30°C. The output voltages are 1.0V, 1.5V, 3.3V and 5V. These are chosen to include the lower and higher output voltage ranges for correlating the thermal resistance. Thermal models are derived from several temperature measurements in a controlled temperature chamber along with thermal modeling analysis. The junction temperatures are monitored while ambient temperature is increased with and without airflow. The power loss increase with ambient temperature change is factored into the derating curves. The junctions are maintained at 120°C maximum while

# APPLICATIONS INFORMATION

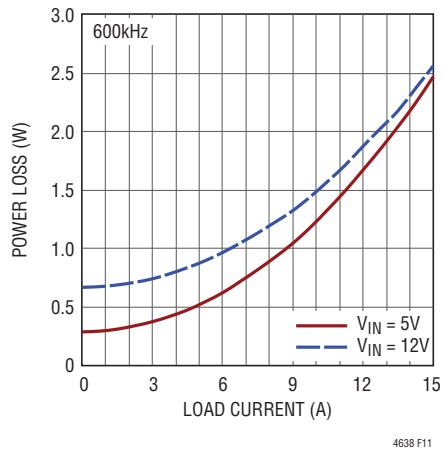


Figure 11. Power Loss at 1V Output

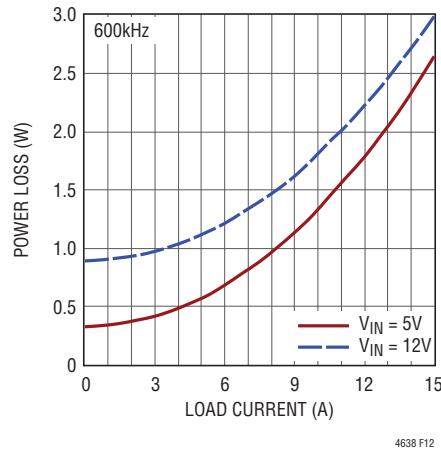


Figure 12. Power Loss at 1.5V Output

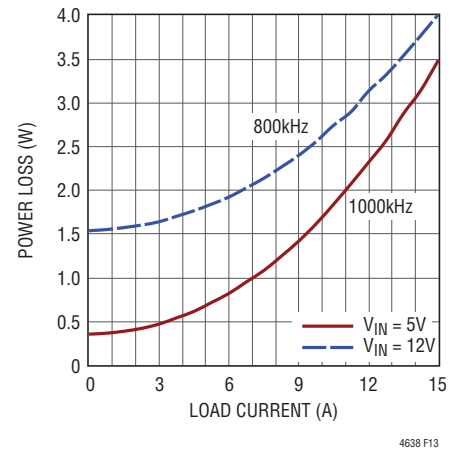


Figure 13. Power Loss at 3.3V Output

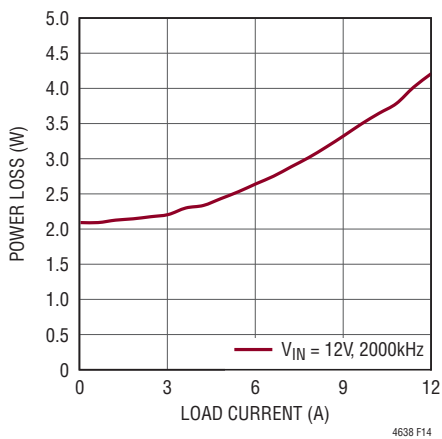


Figure 14. Power Loss at 5V Output

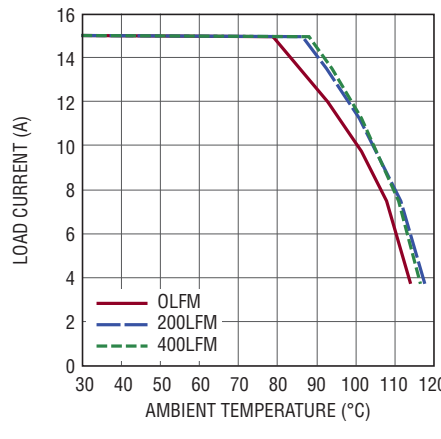


Figure 15. 5V to 1V Derating Curve, No Heat Sink

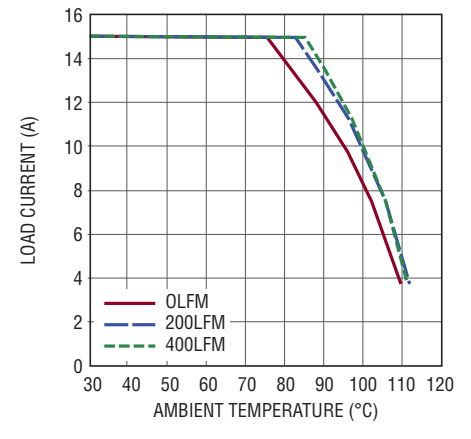


Figure 16. 12V to 1V Derating Curve, No Heat Sink

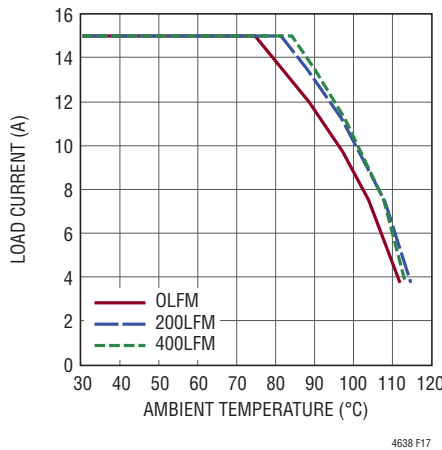


Figure 17. 5V to 1.5V Derating Curve, No Heat Sink

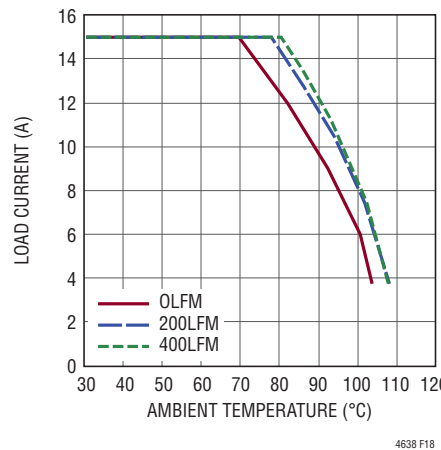


Figure 18. 12V to 1.5V Derating Curve, No Heat Sink

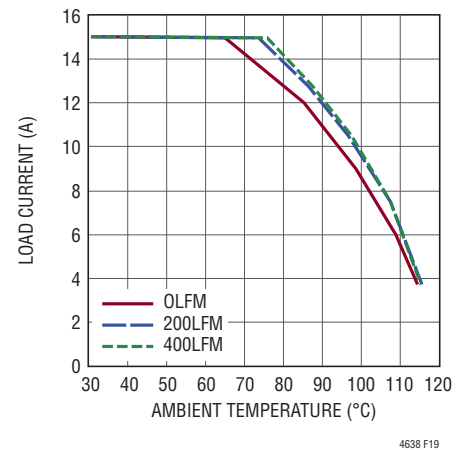


Figure 19. 5V to 3.3V Derating Curve, No Heat Sink

APPLICATIONS INFORMATION

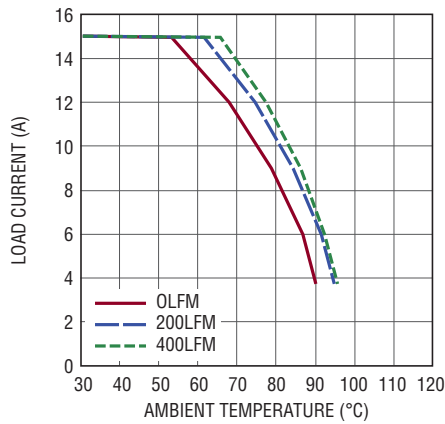


Figure 20. 12V to 3.3V Derating Curve, No Heat Sink

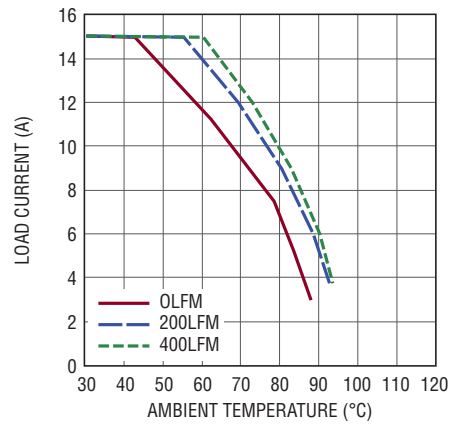


Figure 21. 12V to 5V Derating Curve, No Heat Sink

Table 3. 1.0V Output

| DERATING CURVE | V <sub>IN</sub> (V) | POWER LOSS CURVE | AIR FLOW (LFM) | HEAT SINK | θ <sub>JA</sub> (°C/W) |
|----------------|---------------------|------------------|----------------|-----------|------------------------|
| Figures 15, 16 | 5, 12               | Figure 11        | 0              | None      | 15                     |
| Figures 15, 16 | 5, 12               | Figure 11        | 200            | None      | 12                     |
| Figures 15, 16 | 5, 12               | Figure 11        | 400            | None      | 11                     |

Table 4. 1.5V Output

| DERATING CURVE | V <sub>IN</sub> (V) | POWER LOSS CURVE | AIR FLOW (LFM) | HEAT SINK | θ <sub>JA</sub> (°C/W) |
|----------------|---------------------|------------------|----------------|-----------|------------------------|
| Figures 17, 18 | 5, 12               | Figure 12        | 0              | None      | 15                     |
| Figures 17, 18 | 5, 12               | Figure 12        | 200            | None      | 12                     |
| Figures 17, 18 | 5, 12               | Figure 12        | 400            | None      | 11                     |

Table 5. 3.3V Output

| DERATING CURVE | V <sub>IN</sub> (V) | POWER LOSS CURVE | AIR FLOW (LFM) | HEAT SINK | θ <sub>JA</sub> (°C/W) |
|----------------|---------------------|------------------|----------------|-----------|------------------------|
| Figures 19, 20 | 5, 12               | Figure 13        | 0              | None      | 15                     |
| Figures 19, 20 | 5, 12               | Figure 13        | 200            | None      | 12                     |
| Figures 19, 20 | 5, 12               | Figure 13        | 400            | None      | 11                     |

Table 6. 5V Output

| DERATING CURVE | V <sub>IN</sub> (V) | POWER LOSS CURVE | AIR FLOW (LFM) | HEAT SINK | θ <sub>JA</sub> (°C/W) |
|----------------|---------------------|------------------|----------------|-----------|------------------------|
| Figure 21      | 12                  | Figure 14        | 0              | None      | 15                     |
| Figure 21      | 12                  | Figure 14        | 200            | None      | 12                     |
| Figure 21      | 12                  | Figure 14        | 400            | None      | 11                     |

## APPLICATIONS INFORMATION

Table 7. Output Voltage Response vs Component Matrix (Refer to Figure 23)

| C <sub>OUT1</sub> VENDORS | PART NUMBER         | DESCRIPTION            | C <sub>OUT2</sub> VENDORS | PART NUMBER  | DESCRIPTION      |
|---------------------------|---------------------|------------------------|---------------------------|--------------|------------------|
| Murata                    | GRM186R60J226ME     | 22μF, 6.3V, X5R, 0603  | PANASONIC                 | EEF-GX0E471L | 470μF, 2.5V, 3mΩ |
| TDK                       | C1608X5R0J226M080AC | 22μF, 6.3V, X5R, 0603  |                           |              |                  |
| Murata                    | GRM31CR60J107ME     | 100μF, 6.3V, X5R, 1206 |                           |              |                  |
| Taiyo Yuden               | JMK316BJ107ML       | 100μF, 6.3V, X5R, 1206 |                           |              |                  |
| TDK                       | C3216X5R0J107M160AB | 100μF, 6.3V, X5R, 1206 |                           |              |                  |

### All Ceramic Output Capacitors

| V <sub>OUTn</sub> (V) | V <sub>INn</sub> (V) | R <sub>FB</sub> (kΩ) | f <sub>SW</sub> (kHz) | C <sub>OUT1</sub> (CERAMIC CAP) | C <sub>OUT2</sub> (BULK CAP) | COMP <sub>a</sub> (pF)     | R <sub>TH</sub> on COMP <sub>a</sub> (kΩ) | C <sub>TH</sub> on COMP <sub>a</sub> (pF) | LOAD STEP (A) | PK-PK DEVIATION (mV) | RECOVERY TIME (μs) |
|-----------------------|----------------------|----------------------|-----------------------|---------------------------------|------------------------------|----------------------------|-------------------------------------------|-------------------------------------------|---------------|----------------------|--------------------|
| 1                     | 5                    | 90.9                 | 600                   | 22μF + 3x100μF                  | None                         | Short to COMP <sub>b</sub> | None                                      | None                                      | 3.75          | 85                   | 40                 |
| 1                     | 12                   | 90.9                 | 600                   | 22μF + 3x100μF                  | None                         | Short to COMP <sub>b</sub> | None                                      | None                                      | 3.75          | 94.4                 | 40                 |
| 1.5                   | 5                    | 40.2                 | 600                   | 22μF + 3x100μF                  | None                         | Short to COMP <sub>b</sub> | None                                      | None                                      | 3.75          | 106.4                | 40                 |
| 1.5                   | 12                   | 40.2                 | 800                   | 22μF + 3x100μF                  | None                         | Short to COMP <sub>b</sub> | None                                      | None                                      | 3.75          | 109.1                | 40                 |
| 2.5                   | 5                    | 19.1                 | 800                   | 22μF + 3x100μF                  | None                         | Short to COMP <sub>b</sub> | None                                      | None                                      | 3.75          | 165.4                | 40                 |
| 2.5                   | 12                   | 19.1                 | 1000                  | 22μF + 3x100μF                  | None                         | Short to COMP <sub>b</sub> | None                                      | None                                      | 3.75          | 171                  | 40                 |
| 3.3                   | 5                    | 13.3                 | 800                   | 22μF + 3x100μF                  | None                         | Short to COMP <sub>b</sub> | None                                      | None                                      | 3.75          | 218                  | 40                 |
| 3.3                   | 12                   | 13.3                 | 1000                  | 22μF + 3x100μF                  | None                         | Short to COMP <sub>b</sub> | None                                      | None                                      | 3.75          | 218                  | 40                 |
| 5                     | 12                   | 8.25                 | 1500                  | 22μF + 3x100μF                  | None                         | Short to COMP <sub>b</sub> | None                                      | None                                      | 3.75          | 328                  | 40                 |

lowering output current or power with increasing ambient temperature. The decreased output current will decrease the internal module loss as ambient temperature is increased. The monitored junction temperature of 120°C minus the ambient operating temperature specifies how much module temperature rise can be allowed. As an example, in Figure 16 the load current is derated to ~8A at ~92°C with no air flow or heat sink and the power loss for the 12V to 1.5V at 8A output is about 1.8W. The 8W loss is calculated with the ~1.5W room temperature loss from the 12V to 1.5V power loss curve at 8A, and the 1.2 multiplying factor at 120°C junction temperature. If the

92°C ambient temperature is subtracted from the 120°C junction temperature, then the difference of 28°C divided by 18W equals a 15.5°C/W  $\theta_{JA}$  thermal resistance. Table 3 specifies a 15°C/W value which is very close. Table 4, Table 5 and Table 6 provide equivalent thermal resistances for 1.5V 3.3V and 5V outputs with and without airflow and heat sinking. The derived thermal resistances in Table 3, Table 4, Table 5 and Table 6 for the various conditions can be multiplied by the calculated power loss as a function of ambient temperature to derive temperature rise above ambient, thus maximum junction temperature. Room temperature power loss can be derived from the efficiency

## APPLICATIONS INFORMATION

curves in the Typical Performance Characteristics section and adjusted with the above ambient temperature multiplicative factors. The printed circuit board is a 1.6mm thick 4-layer board with two ounce copper for the two outer layers and one ounce copper for the two inner layers. The PCB dimensions are 95mm × 76mm.

### Safety Considerations

The LTM4638 modules do not provide galvanic isolation from  $V_{IN}$  to  $V_{OUT}$ . There is no internal fuse. If required, a slow blow fuse with a rating twice the maximum input current needs to be provided to protect each unit from catastrophic failure. The device does support thermal shutdown and over current protection.

### Layout Checklist/Example

The high integration of LTM4638 makes the PCB board layout very simple and easy. However, to optimize its electrical and thermal performance, some layout considerations are still necessary.

- Use large PCB copper areas for high current paths, including  $V_{IN}$ , GND and  $V_{OUT}$ . It helps to minimize the PCB conduction loss and thermal stress.
- Place high frequency ceramic input and output capacitors next to the  $V_{IN}$ , PGND and  $V_{OUT}$  pins to minimize high frequency noise.
- Place a dedicated power ground layer underneath the unit.

- To minimize the via conduction loss and reduce module thermal stress, use multiple vias for interconnection between top layer and other power layers.
- Do not put via directly on the pad, unless they are capped or plated over.
- Use a separated SGND ground copper area for components connected to signal pins. Connect the SGND to GND underneath the unit.
- Bring out test points on the signal pins for monitoring.
- Keep separation between CLKIN, CLKOUT and FREQ pin traces to minimize possibility of noise due to crosstalk between these signals.

Figure 22 gives a good example of the recommended layout.

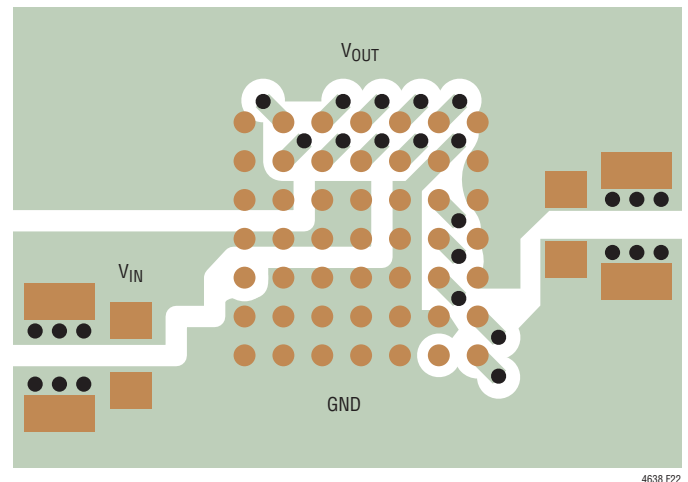


Figure 22. Recommended PCB Layout

APPLICATIONS INFORMATION

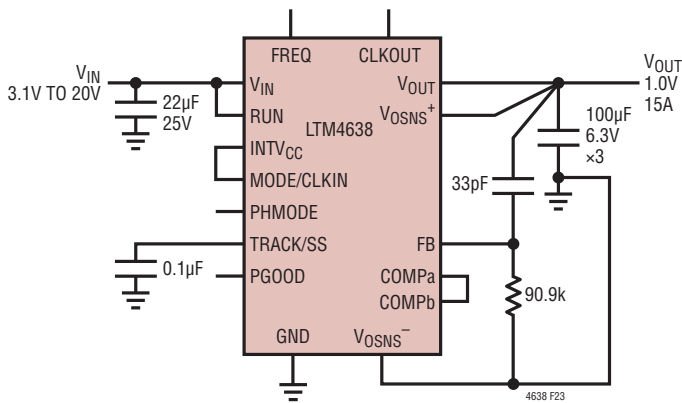


Figure 23. 3.1V<sub>IN</sub> to 20V<sub>IN</sub>, 1V Output at 15A Design

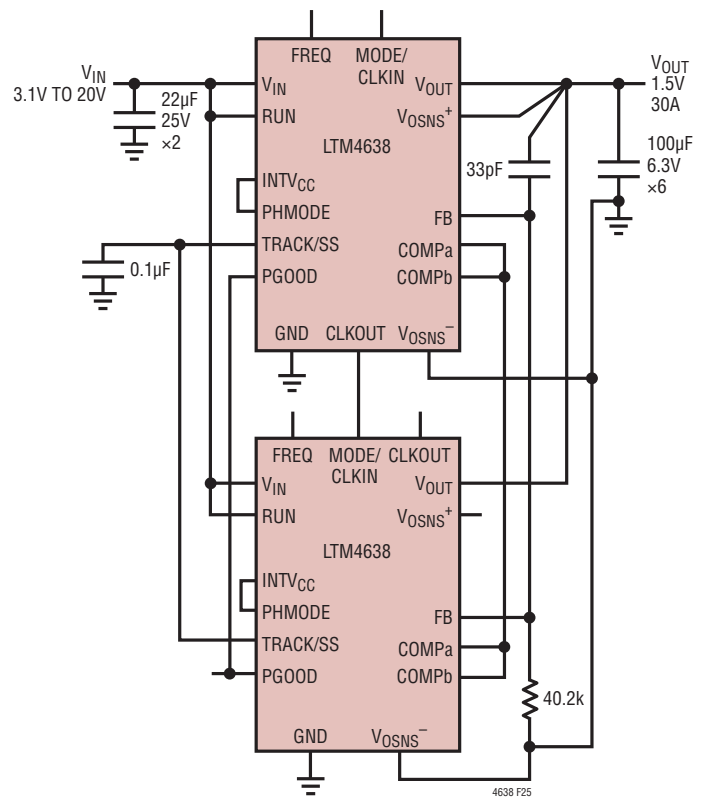


Figure 25. 3.1V<sub>IN</sub> to 20V<sub>IN</sub>, Two Phases, 1.5V at 30A Design

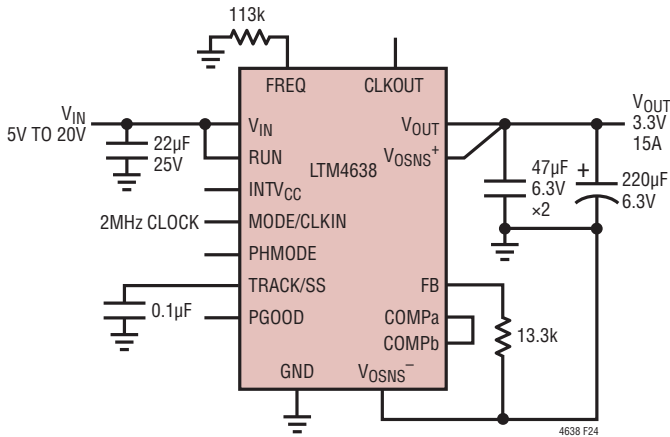


Figure 24. 5V<sub>IN</sub> to 20V<sub>IN</sub>, 3.3V Output with 2MHz External Clock

APPLICATIONS INFORMATION

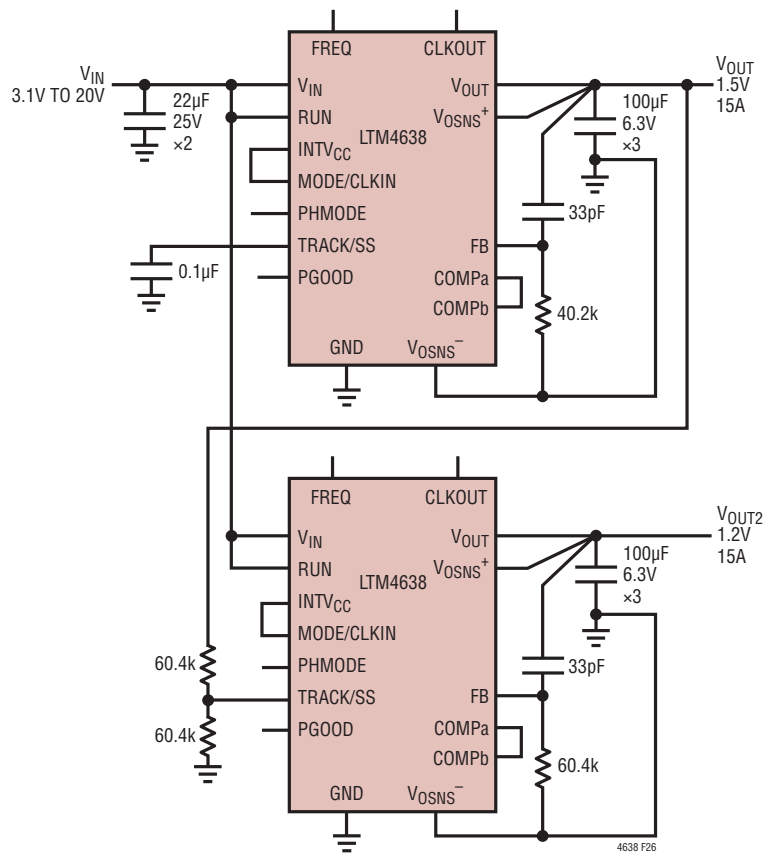


Figure 26. 3.1V<sub>IN</sub> to 20V<sub>IN</sub>, 1.2V and 1.5V with Coincident Tracking

## PACKAGE DESCRIPTION



PACKAGE ROW AND COLUMN LABELING MAY VARY  
AMONG  $\mu$ Module PRODUCTS. REVIEW EACH PACKAGE  
LAYOUT CAREFULLY.

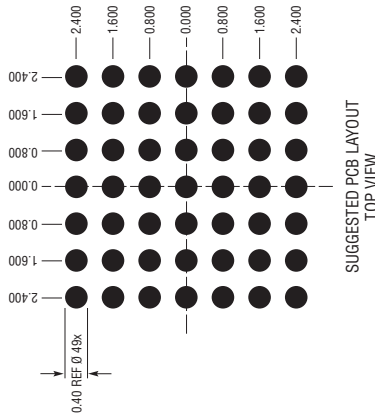
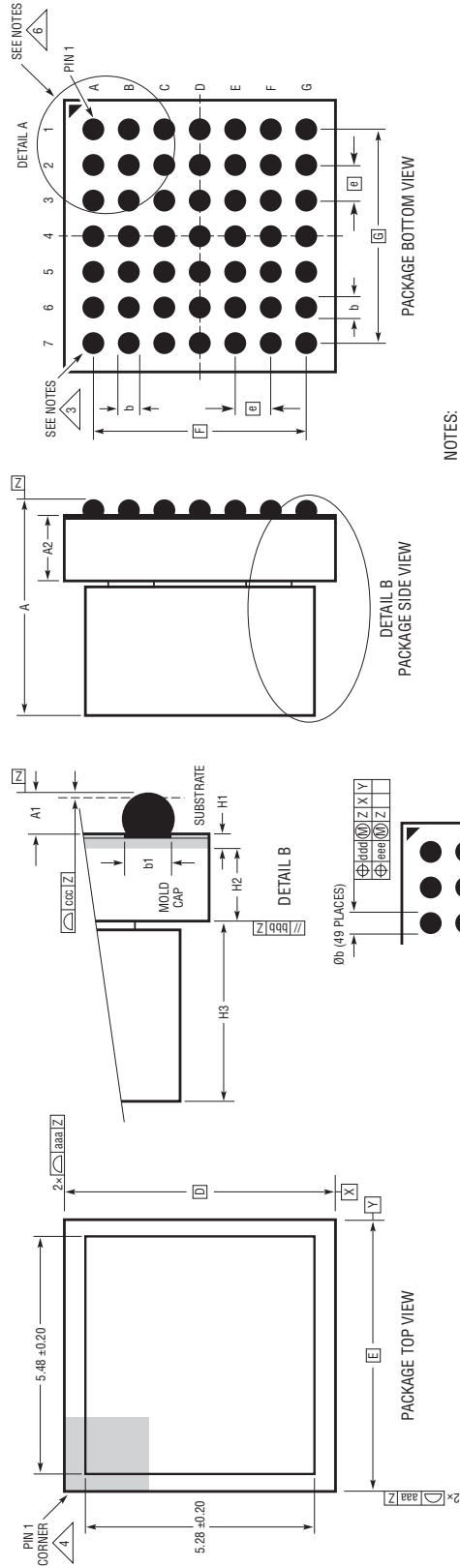
LTM4638 Component BGA Pinout

| PIN ID | FUNCTION           | PIN ID | FUNCTION           | PIN ID | FUNCTION           | PIN ID | FUNCTION         | PIN ID | FUNCTION         | PIN ID | FUNCTION            | PIN ID | FUNCTION            |
|--------|--------------------|--------|--------------------|--------|--------------------|--------|------------------|--------|------------------|--------|---------------------|--------|---------------------|
| A1     | V <sub>OUT</sub>   | A2     | V <sub>OUT</sub>   | A3     | V <sub>OUT</sub>   | A4     | V <sub>OUT</sub> | A5     | V <sub>OUT</sub> | A6     | T <sub>SENSE+</sub> | A7     | T <sub>SENSE-</sub> |
| B1     | V <sub>OSNS+</sub> | B2     | GND                | B3     | INTV <sub>CC</sub> | B4     | RUN              | B5     | PGOOD            | B6     | GND                 | B7     | SW                  |
| C1     | FB                 | C2     | V <sub>OSNS-</sub> | C3     | GND                | C4     | GND              | C5     | GND              | C6     | GND                 | C7     | GND                 |
| D1     | COMP <sub>a</sub>  | D2     | MODE/CLKIN         | D3     | V <sub>IN</sub>    | D4     | V <sub>IN</sub>  | D5     | GND              | D6     | GND                 | D7     | GND                 |
| E1     | FREQ               | E2     | TRACK/SS           | E3     | V <sub>IN</sub>    | E4     | V <sub>IN</sub>  | E5     | GND              | E6     | GND                 | E7     | GND                 |
| F1     | COMP <sub>b</sub>  | F2     | CLKOUT             | F3     | V <sub>OUT</sub>   | F4     | V <sub>IN</sub>  | F5     | GND              | F6     | GND                 | F7     | GND                 |
| G1     | V <sub>OUT</sub>   | G2     | V <sub>OUT</sub>   | G3     | V <sub>OUT</sub>   | G4     | V <sub>IN</sub>  | G5     | PHMODE           | G6     | GND                 | G7     | GND                 |

# PACKAGE DESCRIPTION



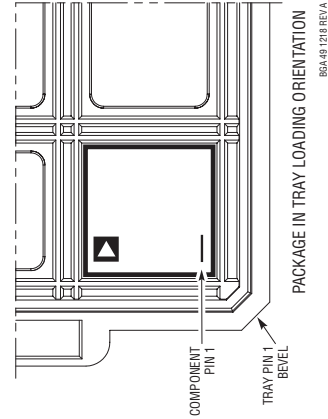
**BGA Package**  
**49-Lead (6.25mm × 6.25mm × 5.02mm)**  
 (Reference LIC DWG# 05-08-1574 Rev A)



| SYMBOL | DIMENSIONS |          |      | NOTES          |
|--------|------------|----------|------|----------------|
|        | MIN        | NOM      | MAX  |                |
| A      | 4.68       | 5.02     | 5.36 |                |
| A1     | 0.30       | 0.40     | 0.50 | BALL HT        |
| A2     | 1.41       | 1.52     | 1.69 |                |
| b      | 0.45       | 0.50     | 0.55 | BALL DIMENSION |
| b1     | 0.37       | 0.40     | 0.43 | PAD DIMENSION  |
| D      |            | 6.25     |      |                |
| E      |            | 6.25     |      |                |
| e      |            | 0.80     |      |                |
| F      |            | 4.80     |      |                |
| G      |            | 4.80     |      |                |
| H1     |            | 0.32 REF |      | SUBSTRATE THK  |
| H2     |            | 1.20 REF |      | MOLD CAP HT    |
| H3     |            | 3.10 REF |      | INDUCTOR HT    |
| aaa    |            |          | 0.15 |                |
| bbb    |            |          | 0.10 |                |
| ccc    |            |          | 0.20 |                |
| ddd    |            |          | 0.20 |                |
| eee    |            |          | 0.08 |                |

TOTAL NUMBER OF BALLS: 49

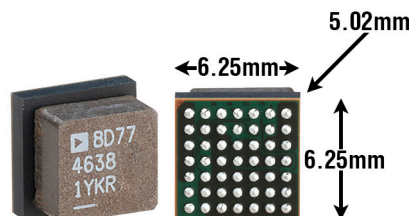
- NOTES:
1. DIMENSIONING AND TOLERANCING PER ASME Y14.5M-1994
  2. ALL DIMENSIONS ARE IN MILLIMETERS
  3. BALL DESIGNATION PER JEP95
  4. DETAILS OF PIN 1 IDENTIFIER ARE OPTIONAL, BUT MUST BE LOCATED WITHIN THE ZONE INDICATED. THE PIN 1 IDENTIFIER MAY BE EITHER A MOLD OR MARKED FEATURE
  5. PRIMARY DATUM - Z- IS SEATING PLANE
  6. PACKAGE ROW AND COLUMN LABELING MAY VARY AMONG  $\mu$ Module PRODUCTS. REVIEW EACH PACKAGE LAYOUT CAREFULLY



## REVISION HISTORY

| REV | DATE  | DESCRIPTION                                                                                                                                                                                      | PAGE NUMBER           |
|-----|-------|--------------------------------------------------------------------------------------------------------------------------------------------------------------------------------------------------|-----------------------|
| A   | 08/19 | Added LTM4638IY to Order Information<br>Added Temperature Monitoring                                                                                                                             | 2<br>17, 18           |
| B   | 11/19 | Updated Peak Solder Reflow Body Temperature to 250°C<br>Updated Package Thermal Resistance<br>Changed RUN Threshold to 1.25V<br>Updated Coefficient in Frequency Equation to 1.67e11 from 1.6e11 | 2<br>2<br>8, 15<br>12 |
| C   | 01/21 | Change text from PNP to NPN on $T_{SENSE^+}$ .<br>Added $T_{SENSE^+}$ and $T_{SENSE^-}$ on Block Diagram.<br>Removed unnecessary symbol from Block Diagram.                                      | 8<br>9<br>9           |
| D   | 08/24 | Updated Multiphase Operation and Figure 3.                                                                                                                                                       | 12-13                 |

## PACKAGE PHOTO



## DESIGN RESOURCES

| SUBJECT                                                    | DESCRIPTION                                                                                                                                                                                                                                                                                                                                                         |
|------------------------------------------------------------|---------------------------------------------------------------------------------------------------------------------------------------------------------------------------------------------------------------------------------------------------------------------------------------------------------------------------------------------------------------------|
| <a href="#">μModule Design and Manufacturing Resources</a> | <p>Design:</p> <ul style="list-style-type: none"> <li>• Selector Guides</li> <li>• Demo Boards and Gerber Files</li> <li>• Free Simulation Tools</li> </ul> <p>Manufacturing:</p> <ul style="list-style-type: none"> <li>• Quick Start Guide</li> <li>• PCB Design, Assembly and Manufacturing Guidelines</li> <li>• Package and Board Level Reliability</li> </ul> |
| <a href="#">μModule Regulator Products Search</a>          | <ol style="list-style-type: none"> <li>Sort table of products by parameters and download the result as a spreadsheet.</li> <li>Search using the Quick Power Search parametric table.</li> </ol>                                                                                                                                                                     |
| <a href="#">Digital Power System Management</a>            | Analog Devices' family of digital power supply management ICs are highly integrated solutions that offer essential functions, including power supply monitoring, supervision, margining and sequencing, and feature EEPROM for storing user configurations and fault logging.                                                                                       |

## RELATED PARTS

| PART NUMBER             | DESCRIPTION                                         | COMMENTS                                                                                                                      |
|-------------------------|-----------------------------------------------------|-------------------------------------------------------------------------------------------------------------------------------|
| <a href="#">LTM4626</a> | 12A μModule Regulator. Pin Compatible with LTM4638. | $3.1V \leq V_{IN} \leq 20V$ . $0.6V \leq V_{OUT} \leq 5.5V$ . 6.25mm × 6.25mm × 3.87mm BGA                                    |
| <a href="#">LTM4649</a> | 10A μModule Regulator                               | $4.5V \leq V_{IN} \leq 16V$ . $0.6V \leq V_{OUT} \leq 3.3V$ . 9mm × 15mm × 4.92mm BGA                                         |
| <a href="#">LTM4601</a> | 12A μModule Regulator                               | $4.5V \leq V_{IN} \leq 20V$ (28V LTM4601HV). $0.5V \leq V_{OUT} \leq 5V$ . 15mm × 15mm × 2.82mm LGA. 15mm × 15mm × 3.42mm BGA |
| <a href="#">LTM4637</a> | 20A μModule Regulator                               | $4.5V \leq V_{IN} \leq 20V$ . $0.6V \leq V_{OUT} \leq 5.5V$ . 15mm × 15mm × 4.32mm LGA. 15mm × 15mm × 4.92mm BGA.             |
| <a href="#">LTM4646</a> | Dual 10A μModule Regulator                          | $4.5V \leq V_{IN} \leq 20V$ . $0.6V \leq V_{OUT} \leq 5.5V$ . 11.25mm × 15mm × 5.01mm BGA                                     |
| <a href="#">LTM4662</a> | Dual 15A μModule Regulator                          | $4.5V \leq V_{IN} \leq 20V$ . $0.6V \leq V_{OUT} \leq 5.5V$ . 11.25mm × 15mm × 5.74mm BGA                                     |
| <a href="#">LTM4643</a> | Quad 3A Ultrathin μModule Regulator                 | $4V \leq V_{IN} \leq 20V$ . $0.6V \leq V_{OUT} \leq 3.3V$ . 9mm × 15mm × 1.82mm LGA. 9mm × 15mm × 2.42mm BGA                  |
| <a href="#">LTM4644</a> | Quad 4A μModule Regulator                           | $4V \leq V_{IN} \leq 14V$ . $0.6V \leq V_{OUT} \leq 5.5V$ . 9mm × 15mm × 5.01mm BGA                                           |

# Mouser Electronics

Authorized Distributor

Click to View Pricing, Inventory, Delivery & Lifecycle Information:

[Analog Devices Inc.:](#)

[LTM4638EY#PBF](#) [LTM4638IY#PBF](#) [LTM4638IY](#) [DC2665B-B](#) [EVAL-LTM4638-AZ](#)