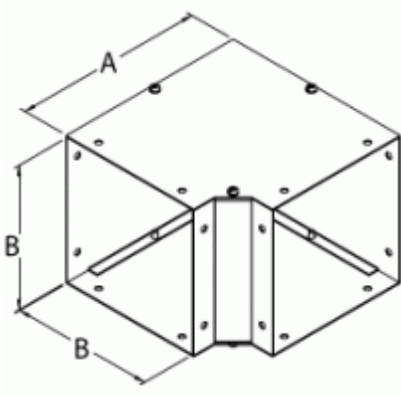




Quality Products. Service Excellence.

90 degree Elbow CWEL90 Series



Painted Steel

Part No.	Size
CWEL290	2.5 x 2.5
CWEL490	4 x 4
CWEL690	6 x 6
CWEL890	8 x 8
CWEL1090	10 x 10
CWEL1290	12 x 12

Unpainted Galvanized

Part No.	Size
CWEL290G	2.5 x 2.5
CWEL490G	4 x 4
CWEL690G	6 x 6
CWEL890G	8 x 8
CWEL1090G	10 x 10
CWEL1290G	12 x 12



Tags: galvanized steel, 90 degree, elbow, wireway, CW

Data subject to change without notice

© 2025. Hammond Manufacturing Ltd. All rights reserved.

Mouser Electronics

Authorized Distributor

Click to View Pricing, Inventory, Delivery & Lifecycle Information:

[Hammond:](#)

[CWEL1090](#) [CWEL290](#) [CWEL490](#) [CWEL690](#) [CWEL890](#) [CWEL1290](#) [CWEL1090G](#) [CWEL1290G](#) [CWEL290G](#)
[CWEL490G](#) [CWEL690G](#) [CWEL890G](#)