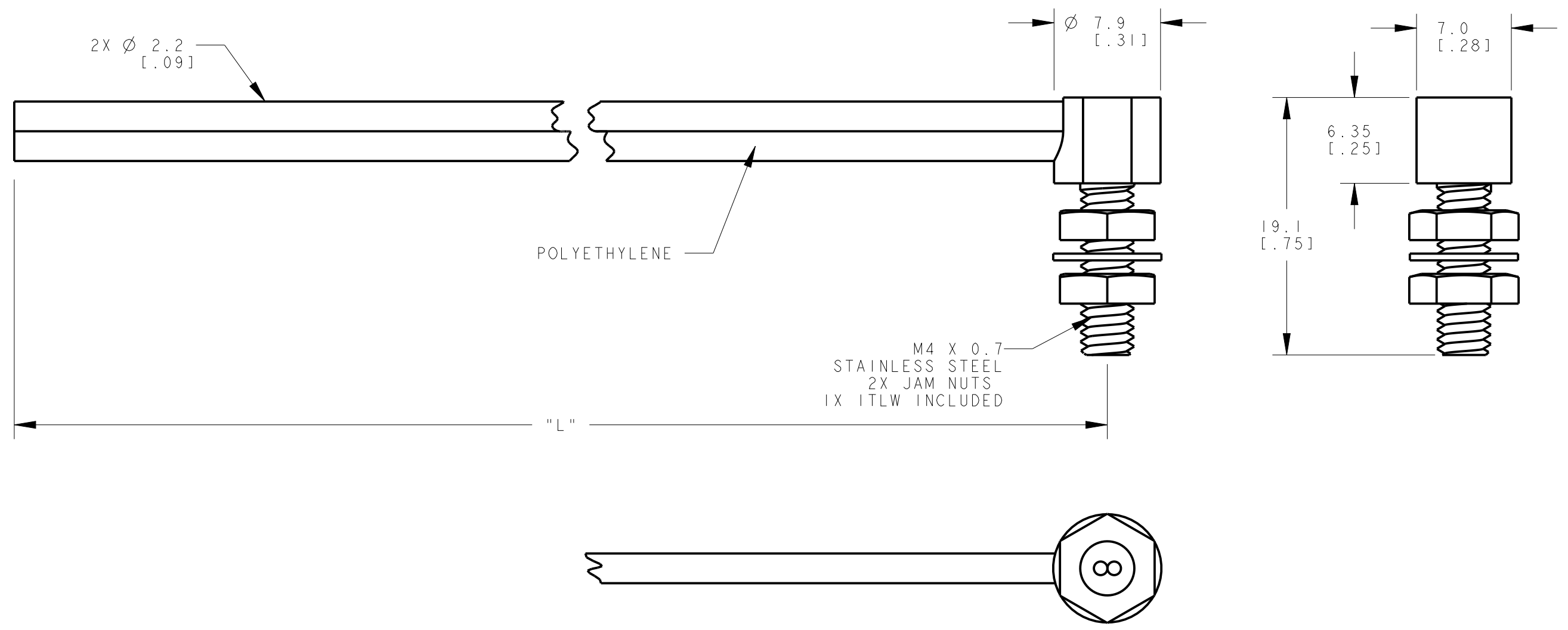


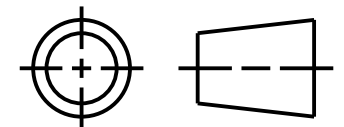
MODEL NO.	"L"	P/N	NOTES:
PBAT46UHFMTA	2000 [79]	83276	1. 'HF' DENOTES HIGH-FLEX FIBER CABLE - VERY SMALL BEND RADIUS PERMISSIBLE BEFORE TRANSMISSION LOSS.
PBAT415UHFMTA	5000 [197]	88604	
PBAT430UHFMTA	10000 [394]	94554	



NOTES:
 1. ALL DIMENSIONS ARE MILLIMETERS [INCHES] UNLESS OTHERWISE NOTED.
 2. REFER TO "www.bannerengineering.com" FOR ADDITIONAL DATA AND SPECIFICATIONS.

This drawing is the property of BANNER ENGINEERING CORP. Any use or reproduction, in any form, without prior written permission of Banner is prohibited. © 2015 Banner Engineering Corp.

THIRD ANGLE PROJECTION



		BANNER ENGINEERING CORP. www.bannerengineering.com	
TITLE			
PBAT4 SERIES UNTERMINATED HF TIGHT ANGLE			
SIZE	DRAWING NO.	REV.	
B	161880	A	
SCALE	SHEET		OF
3:1	1		1

Mouser Electronics

Authorized Distributor

Click to View Pricing, Inventory, Delivery & Lifecycle Information:

[Banner Engineering:](#)

[PBAT46UHFMTA](#) [PBAT415UHFMTA](#)