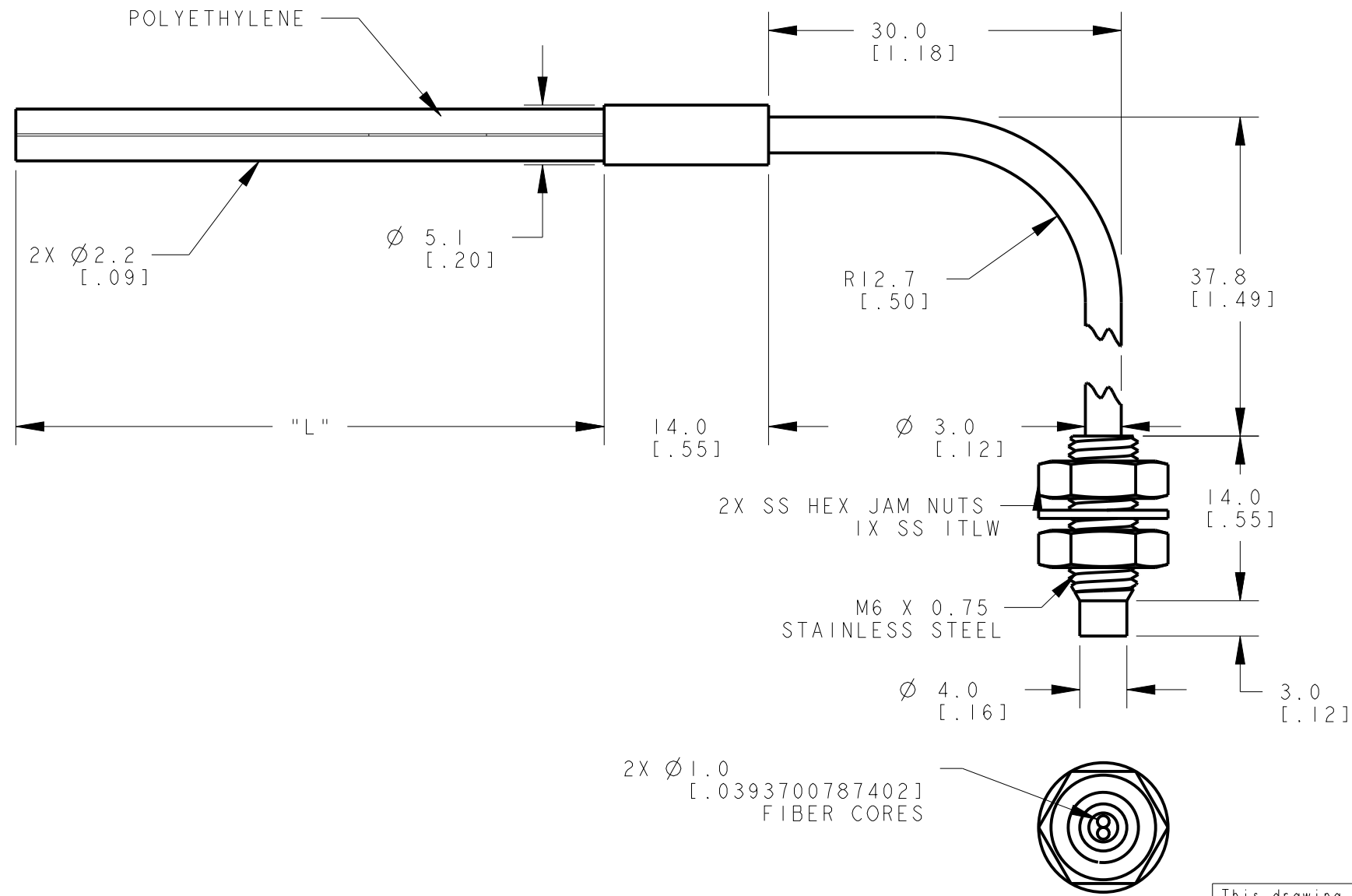


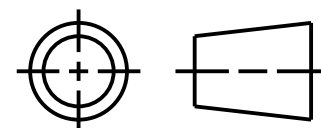
MODEL NO.	"L"	"HL"	"VL"	P/N
PBAT415U	4572 [180]	25 [1.0]	16.5 [.65]	42849
PBAT46U	2000 [79]	25 [1.0]	16.5 [.65]	42843



NOTES:
 1. ALL DIMENSIONS ARE MILLIMETERS [INCHES] UNLESS OTHERWISE NOTED.
 2. REFER TO "www.bannerengineering.com" FOR ADDITIONAL DATA AND SPECIFICATIONS.

This drawing is the property of BANNER ENGINEERING CORP. Any use or reproduction, in any form, without prior written permission of Banner is prohibited.
 © 2015 Banner Engineering Corp.

THIRD ANGLE PROJECTION



		BANNER ENGINEERING CORP.	
		www.bannerengineering.com	
TITLE			
PBAT4 SERIES UNTERMINATED			
SIZE	DRAWING NO.	REV.	
B	166419	A	
SCALE	SHEET		
2:1	1 OF 1		

CREO

Mouser Electronics

Authorized Distributor

Click to View Pricing, Inventory, Delivery & Lifecycle Information:

[Banner Engineering:](#)

[PBAT415U](#) [PBAT46U](#)