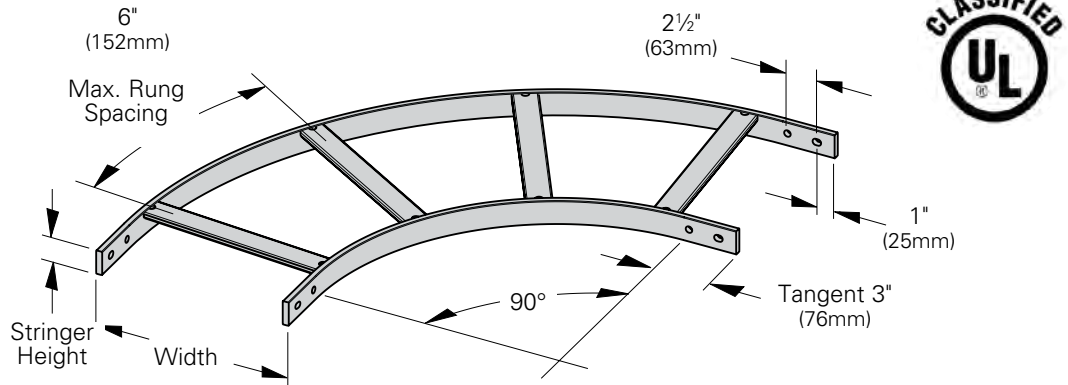


Cable Runway & Accessories

90° Horizontal Bends

- Used to make a smooth, 90° horizontal change in runway direction
- Made of 1½" x ⅜" ASTM A36 steel solid bar stringers and ASTM A513 grade 1008 structural steel tubing rungs
- All finishes are UL Classified as an equipment grounding conductor - file number E60548
- Smooth 15" (381mm) inside radius
- Connects to runway sections using standard runway splices
- Attachment holes provided for use with SB2135 series heavy duty splice plates
- Compatible with "C"-channel, tubular, and solid bar cable runway
- Range of widths from 6" (152mm) to 36" (914mm)
- Finish ____: Flat black powder coat (FB)
Telco gray powder coat (TG)
Yellow zinc (YZ)



1½" (38mm) Stringers

Part Number	Runway Width In. (mm)	Weight Lbs. (kg)
SB17HRB06__	6" (152)	12.0 (5.44)
SB17HRB09__	9" (228)	13.5 (6.12)
SB17HRB12__	12" (305)	14.9 (6.76)
SB17HRB15__	15" (381)	17.2 (7.80)
SB17HRB18__	18" (457)	18.8 (8.53)
SB17HRB20__	20" (508)	19.8 (8.98)
SB17HRB24__	24" (609)	23.3 (10.57)
SB17HRB30__	30" (762)	26.9 (12.20)
SB17HRB36__	36" (914)	30.4 (13.79)

Specify part number and finish when ordering.

2" (351mm) Stringers

Part Number	Runway Width In. (mm)	Weight Lbs. (kg)
SB16HRB06__	6" (152)	15.7 (7.12)
SB16HRB09__	9" (228)	17.4 (7.89)
SB16HRB12__	12" (305)	19.1 (8.66)
SB16HRB15__	15" (381)	20.8 (9.43)
SB16HRB18__	18" (457)	22.5 (10.20)
SB16HRB20__	20" (508)	23.6 (10.70)
SB16HRB24__	24" (609)	25.9 (11.75)
SB16HRB30__	30" (762)	29.2 (13.24)
SB16HRB36__	36" (914)	31.7 (14.38)

Specify part number and finish when ordering.

Cable runway & accessories

Mouser Electronics

Authorized Distributor

Click to View Pricing, Inventory, Delivery & Lifecycle Information:

Eaton:

[11792883](#) [11812066](#) [11792981](#) [12021348](#) [11886230](#) [11769424](#) [11792958](#) [11829067](#) [11849587](#) [11769425](#)
[11769427](#) [11805583](#) [11819609](#) [11839033](#) [11853612](#) [11822762](#) [11829945](#) [11792854](#) [11805582](#) [11906141](#)
[11792986](#) [11945499](#) [11769426](#) [11830846](#) [11825385](#) [11825175](#) [12025896](#) [11792879](#) [11829100](#) [11879680](#)
[11818860](#) [11879681](#) [11792881](#) [11910085](#) [12000122](#)