

OSRAM GW QTLQS1.LM

Datasheet

Published by **ams-OSRAM AG**

Tobelbader Strasse 30, 8141 Premstaetten, Austria

Phone +43 3136 500-0

ams-osram.com

© All rights reserved



OSCONIQ® E 2835

GW QTLQS1.LM

The OSCONIQ® E 2835 Cyan Enhanced (4000K to 6500K) offers special spectrum to suppress production of melatonin & improve work alertness. The OSCONIQ® E 2835 Cozy Warm (1800K to 3000K) offers warm color points for indoor needs. This professional version of 2835 enables the drive into 3030 platform with better efficacy, equivalent lifetime & affordable price. With elevated lifetime supporting DLC premium & good reliability, OSCONIQ® E 2835 Cyan Enhanced & Cozy Warm offer best solutions in Human Centric Lighting application needs & enable lighting designer in circadian lighting design win.



Applications

- Entertainment
- Indoor Lighting
- Outdoor & Industrial Lighting

Features

- Package: white SMT package, colored diffused resin
- Typ. Radiation: 120° (Lambertian emitter)
- Color temperature: 1800K - 6500K
- CRI: 80 (min.), 82 (typ.), R9: 0 (min.)
- ESD: 2 kV acc. to ANSI/ESDA/JEDEC JS-001 (HBM, Class 2)
- Luminous Flux: typ. 144 lm @ 4000 K
- Luminous efficacy: typ. 158 lm/W @ 4000 K
- Stable deep dimming at low driving current from 1mA

Ordering Information

Type	Color temperature	McAdams steps	Luminous Flux ¹⁾ $I_F = 150 \text{ mA}$ Φ_V	Ordering Code
GW QTLQS1.LM-KYK1-XX312-CD	1800 K	SDCM 3	95 ... 110 lm	Q65115A0713
GW QTLQS1.LM-K3K5-XX310-CD	2200 K	SDCM 3	115 ... 130 lm	Q65115A0714
GW QTLQS1.LM-LVLX-XX38-CD	2700 K	SDCM 3	130 ... 145 lm	Q65115A0715
GW QTLQS1.LM-LWLY-XX37-CD	3000 K	SDCM 3	135 ... 150 lm	Q65115A0716
GW QTLQS1.LM-LVLX-XX36-CD	3500 K	SDCM 3	130 ... 145 lm	Q65115A0717
GW QTLQS1.LM-LWLY-XX35-CD	4000 K	SDCM 3	135 ... 150 lm	Q65115A0718
GW QTLQS1.LM-LWLY-XX33-CD	5000 K	SDCM 3	135 ... 150 lm	Q65115A0719
GW QTLQS1.LM-LWLY-XX32-CD	5700 K	SDCM 3	135 ... 150 lm	Q65115A0720
GW QTLQS1.LM-LVLX-XX31-CD	6500 K	SDCM 3	130 ... 145 lm	Q65115A0710
GW QTLQS1.LM-KYK3-XX512-1	1800 K	SDCM 5	95 ... 120 lm	Q65113A9069
GW QTLQS1.LM-K3LW-XX510-1	2200 K	SDCM 5	115 ... 140 lm	Q65113A8666
GW QTLQS1.LM-LVLZ-XX58-1	2700 K	SDCM 5	130 ... 155 lm	Q65113A8665
GW QTLQS1.LM-K5LZ-XX57-1	3000 K	SDCM 5	125 ... 155 lm	Q65113A3380
GW QTLQS1.LM-LVL1-XX56-1	3500 K	SDCM 5	130 ... 160 lm	Q65113A3381
GW QTLQS1.LM-LWL2-XX55-1	4000 K	SDCM 5	135 ... 165 lm	Q65113A3376
GW QTLQS1.LM-LWL2-XX53-1	5000 K	SDCM 5	135 ... 165 lm	Q65113A3377
GW QTLQS1.LM-LVL1-XX52-1	5700 K	SDCM 5	130 ... 160 lm	Q65113A3378
GW QTLQS1.LM-LVL1-XX51-1	6500 K	SDCM 5	130 ... 160 lm	Q65113A3379

Maximum Ratings

Parameter	Symbol		Values
Operating Temperature	T_{op}	min.	-40 °C
		max.	105 °C
Storage Temperature	T_{stg}	min.	-40 °C
		max.	105 °C
Junction Temperature	T_j	max.	125 °C
Forward Current $T_j = 25\text{ °C}$	I_F	min.	1 mA
		max.	200 mA
Reverse voltage ²⁾	V_R		Not designed for reverse operation
ESD withstand voltage acc. to ANSI/ESDA/JEDEC JS-001 (HBM, Class 2)	V_{ESD}		2 kV

Note: Ensure the appropriate derating current is being used in order to maintain a junction temperature which is lower than the maximum allowable limit.

Characteristics

$I_F = 150 \text{ mA}$; $T_J = 25 \text{ °C}$

Parameter	Symbol		Values
Viewing angle at 50% I_V	2ϕ	typ.	120 °
Forward Voltage ³⁾ $I_F = 150 \text{ mA}$	V_F	min. typ. max.	5.60 V 6.06 V 6.40 V
Reverse current ²⁾	I_R		Not designed for reverse operation
Color Rendering Index ⁴⁾	CRI	min. typ.	80 82
Color Rendering Index (R9) ⁴⁾	CRI (R9)	min.	0
Electrical thermal resistance junction/solderpoint with efficiency $\eta_e = 45 \%$	$R_{thJS \text{ elec.}}$	typ.	9.6 K / W

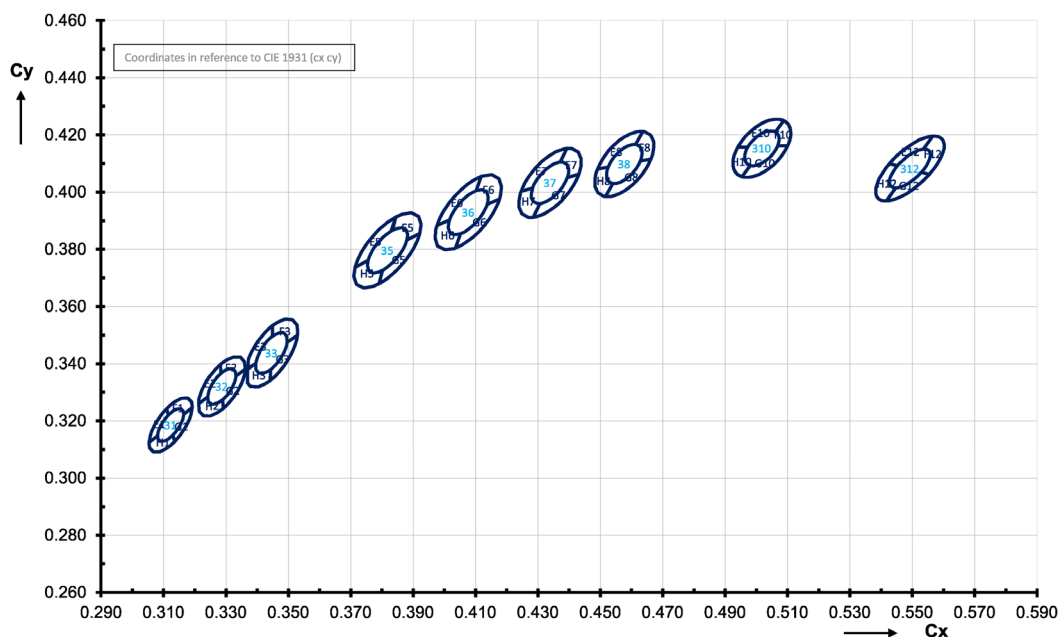
Brightness Groups

Group	Luminous Flux ¹⁾ $I_F = 150 \text{ mA}$ min. Φ_V	Luminous Flux ¹⁾ $I_F = 150 \text{ mA}$ max. Φ_V
KY	95 lm	100 lm
KZ	100 lm	105 lm
K1	105 lm	110 lm
K2	110 lm	115 lm
K3	115 lm	120 lm
K4	120 lm	125 lm
K5	125 lm	130 lm
LV	130 lm	135 lm
LW	135 lm	140 lm
LX	140 lm	145 lm
LY	145 lm	150 lm
LZ	150 lm	155 lm
L1	155 lm	160 lm
L2	160 lm	165 lm

Forward Voltage Groups

Group	Forward Voltage ³⁾ $I_F = 150 \text{ mA}$ min. V_F	Forward Voltage ³⁾ $I_F = 150 \text{ mA}$ max. V_F
B	5.60 V	5.80 V
C	5.80 V	6.00 V
D	6.00 V	6.20 V
E	6.20 V	6.40 V

Chromaticity Coordinate Groups ⁵⁾



Chromaticity Coordinate Groups

CCT	Center Cx	Center Cy	3step a	3step b	5step a	5step b	∅
1800 K	0.5492	0.4082	0.0096	0.0046	0.016	0.0077	47.3
2200 K	0.5020	0.4156	0.0072	0.004	0.012	0.0067	39.9
2700 K	0.4577	0.4098	0.008	0.0041	0.0133	0.0068	54.1
3000 K	0.4339	0.4032	0.0086	0.0042	0.0142	0.0069	53.7
3500 K	0.4077	0.3929	0.0093	0.0042	0.0155	0.0069	53.9
4000 K	0.3818	0.3796	0.0094	0.0041	0.0157	0.0068	53.4
5000 K	0.3446	0.3437	0.0081	0.0035	0.0135	0.0059	59.8
5700 K	0.3287	0.3320	0.0072	0.0032	0.0119	0.0052	58.8
6500 K	0.3123	0.3185	0.0066	0.0027	0.011	0.0045	58.1

CCT	Group	1		2		3		4		5	
		Cx	Cy	Cx	Cy	Cx	Cy	Cx	Cy	Cx	Cy
1800 K	E	0.5566	0.4195	0.5427	0.4099	0.5452	0.4091	0.5536	0.4150		
	F	0.5566	0.4195	0.5555	0.4061	0.5529	0.4069	0.5536	0.4150		
	G	0.5555	0.4061	0.5418	0.3969	0.5448	0.4015	0.5529	0.4069		
	H	0.5448	0.4015	0.5452	0.4091	0.5427	0.4099	0.5418	0.3969		
2200 K	E	0.5088	0.4249	0.4941	0.4156	0.4973	0.4157	0.5061	0.4210		
	F	0.5088	0.4249	0.5101	0.4161	0.5068	0.4160	0.5061	0.4210		
	G	0.5101	0.4161	0.4955	0.4054	0.4981	0.4093	0.5068	0.4158		
	H	0.4981	0.4093	0.4973	0.4157	0.4941	0.4156	0.4955	0.4054		
2700 K	E	0.4637	0.4212	0.4491	0.4081	0.4526	0.4088	0.4613	0.4166		
	F	0.4637	0.4212	0.4663	0.4115	0.4628	0.4108	0.4613	0.4166		
	G	0.4663	0.4115	0.4517	0.3984	0.4541	0.4030	0.4628	0.4108		
	H	0.4541	0.4030	0.4526	0.4088	0.4491	0.4081	0.4517	0.3984		
3000 K	E	0.4393	0.4153	0.4246	0.4002	0.4283	0.4014	0.4371	0.4105		
	F	0.4393	0.4153	0.4432	0.4062	0.4395	0.4050	0.4371	0.4105		
	G	0.4432	0.4062	0.4285	0.3911	0.4307	0.3960	0.4395	0.4050		
	H	0.4307	0.3960	0.4283	0.4014	0.4246	0.4002	0.4285	0.3911		
3500 K	E	0.4118	0.4054	0.3977	0.3883	0.4017	0.3902	0.4102	0.4004		
	F	0.4118	0.4054	0.4177	0.3975	0.4137	0.3956	0.4102	0.4004		
	G	0.4177	0.3975	0.4036	0.3804	0.4052	0.3854	0.4137	0.3956		
	H	0.4052	0.3854	0.4017	0.3902	0.3977	0.3883	0.4036	0.3804		
4000 K	E	0.3845	0.3913	0.3714	0.3737	0.3756	0.3760	0.3834	0.3866		
	F	0.3845	0.3913	0.3922	0.3855	0.3880	0.3832	0.3834	0.3866		
	G	0.3922	0.3855	0.3791	0.3679	0.3802	0.3726	0.3880	0.3832		
	H	0.3802	0.3726	0.3756	0.3760	0.3714	0.3737	0.3791	0.3679		
5000 K	E	0.3451	0.3534	0.3372	0.3414	0.3371	0.3382	0.3396	0.3400	0.3449	0.3495
	F	0.3451	0.3534	0.3530	0.3498	0.3496	0.3474	0.3449	0.3495		
	G	0.3530	0.3498	0.3441	0.3340	0.3443	0.3379	0.3496	0.3474		
	H	0.3443	0.3379	0.3371	0.3382	0.3372	0.3414	0.3441	0.3340		
5700 K	E	0.3283	0.3397	0.3212	0.3266	0.3213	0.3260	0.3242	0.3283	0.3284	0.3366
	F	0.3283	0.3397	0.3363	0.3381	0.3332	0.3357	0.3284	0.3366		
	G	0.3363	0.3381	0.3291	0.3243	0.3290	0.3274	0.3332	0.3357		
	H	0.3291	0.3274	0.3242	0.3283	0.3213	0.3260	0.3215	0.3233	0.3291	0.3243

6500 K	E	0.3110	0.3243	0.3054	0.3123	0.3082	0.3148	0.3115	0.3220
	F	0.3110	0.3243	0.3192	0.3247	0.3165	0.3222	0.3115	0.3220
	G	0.3192	0.3247	0.3136	0.3127	0.3131	0.3150	0.3165	0.3222
	H	0.3131	0.3150	0.3082	0.3148	0.3054	0.3123	0.3136	0.3127

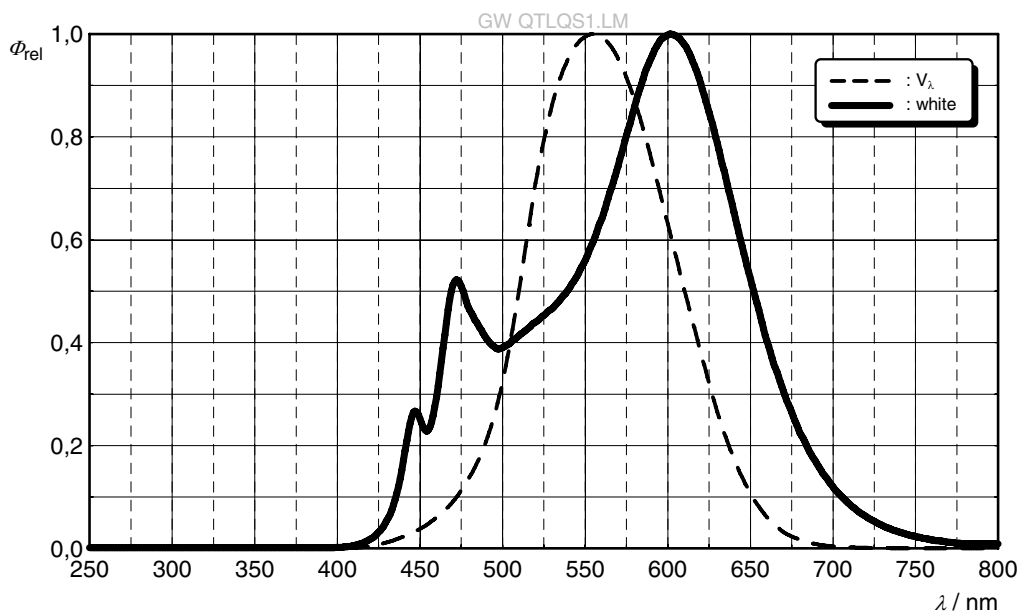
Group Name on Label

Example: K1-35-B

Brightness	Color Chromaticity	Forward Voltage
K1	35	B

Relative Spectral Emission ⁶⁾

$$\Phi_{rel} = f(\lambda); I_F = 150 \text{ mA}; T_J = 25 \text{ }^\circ\text{C}$$



Relative Spectral Emission ⁶⁾

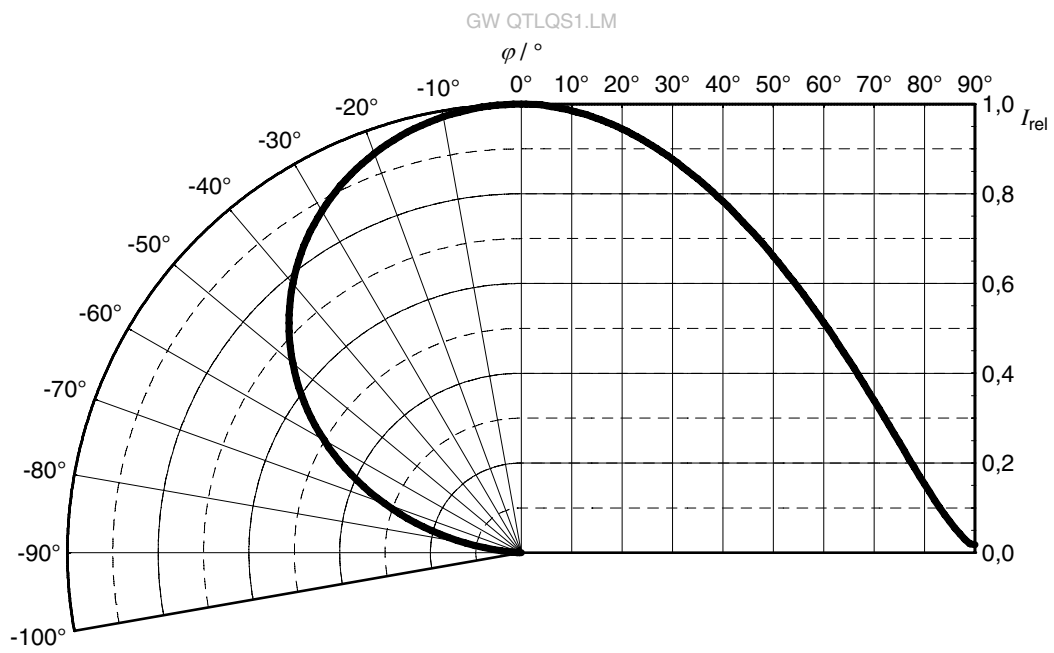
CCT	MDER (CIE:S026)
	(Melanopic daylight efficacy ratio)
1800K	0.20
2200K	0.31
2700K	0.37
3000K	0.43
3500K	0.61
4000K	0.71
5000K	0.85
5700K	0.82
6500K	0.98

Note:

This information is provided just for reference only as a design guide. There will be no commitment on the value. Value shown are typical numbers.

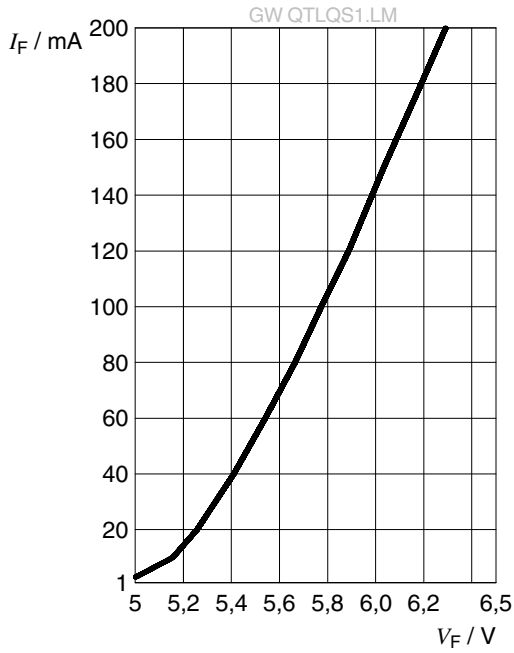
Radiation Characteristics ⁶⁾

$I_{rel} = f(\varphi); T_j = 25\text{ °C}$



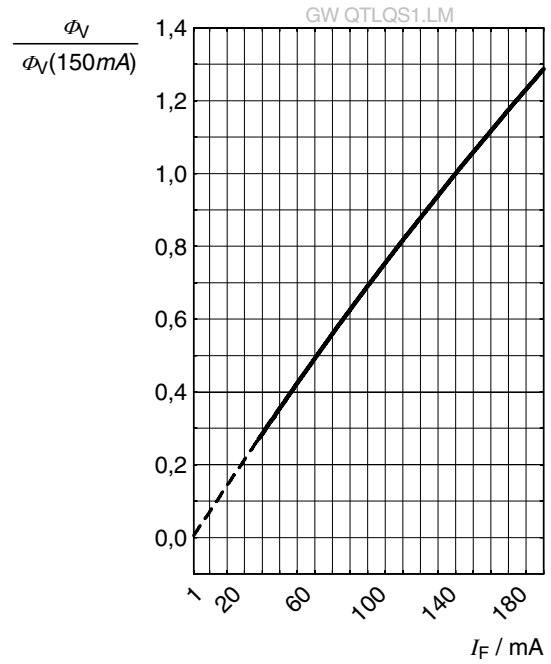
Forward current ⁶⁾

$I_F = f(V_F); T_J = 25\text{ °C}$



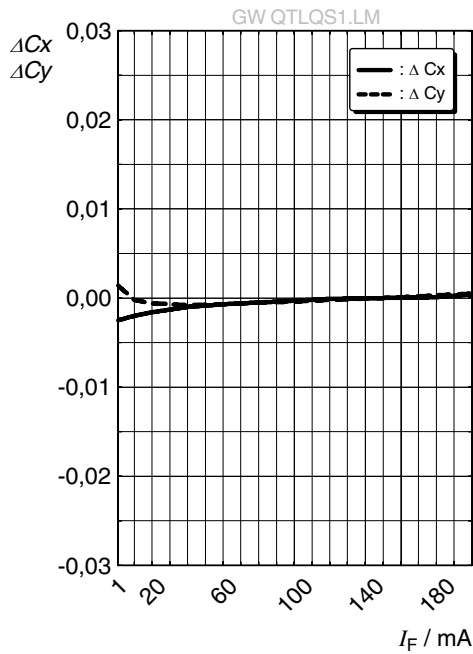
Relative Luminous Flux ^{6), 7)}

$\Phi_V / \Phi_V(150\text{ mA}) = f(I_F); T_J = 25\text{ °C}$



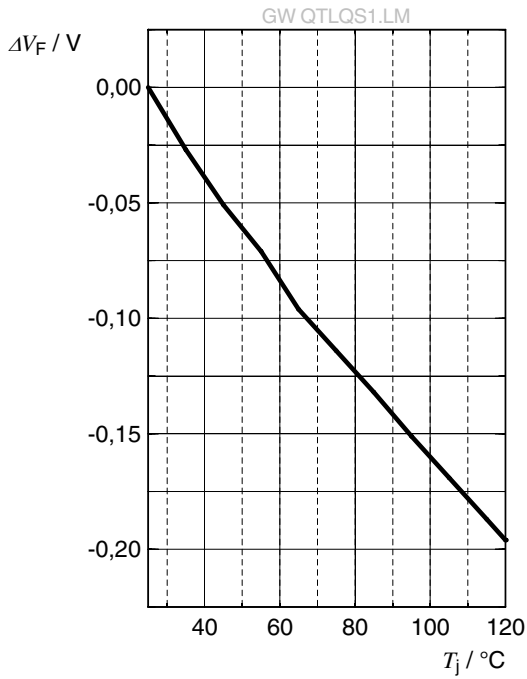
Chromaticity Coordinate Shift ⁶⁾

$\Delta Cx, \Delta Cy = f(I_F); T_J = 25\text{ °C}$



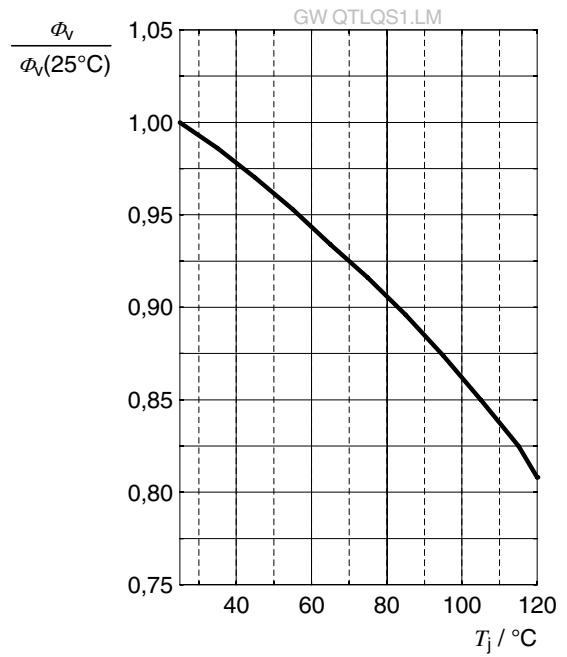
Forward Voltage ⁶⁾

$\Delta V_F = V_F - V_F(25\text{ }^\circ\text{C}) = f(T_j); I_F = 150\text{ mA}$



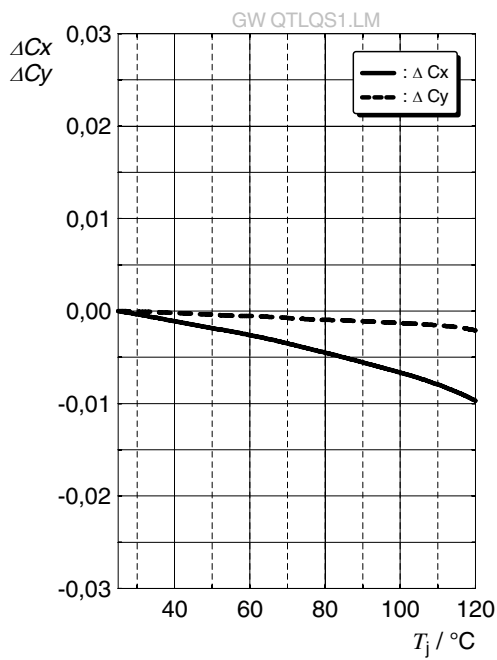
Relative Luminous Flux ⁶⁾

$\Phi_V / \Phi_V(25\text{ }^\circ\text{C}) = f(T_j); I_F = 150\text{ mA}$



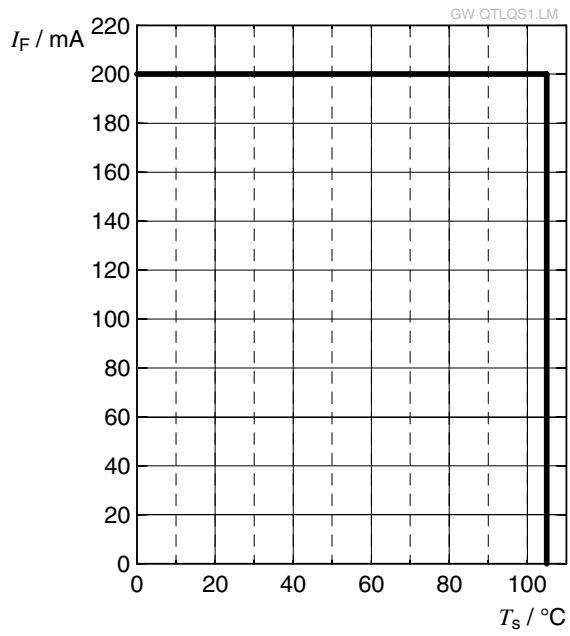
Chromaticity Coordinate Shift ⁶⁾

$\Delta C_x, \Delta C_y = f(T_j); I_F = 150\text{ mA}$

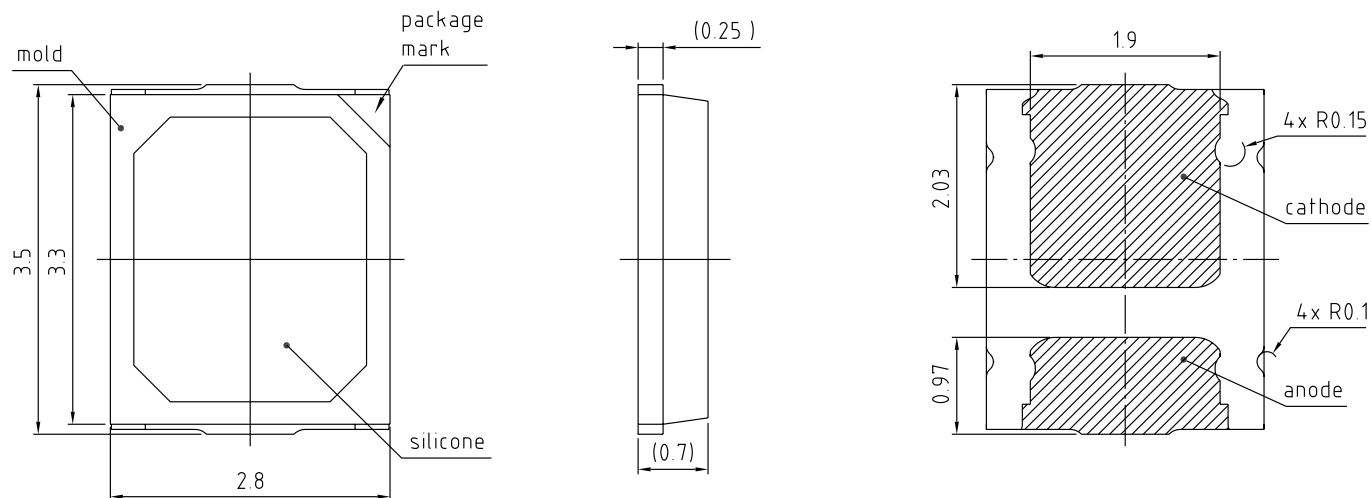


Max. Permissible Forward Current ⁸⁾

$$I_F = f(T)$$



Dimensional Drawing ⁹⁾



general tolerance ± 0.1

lead finish Ag 

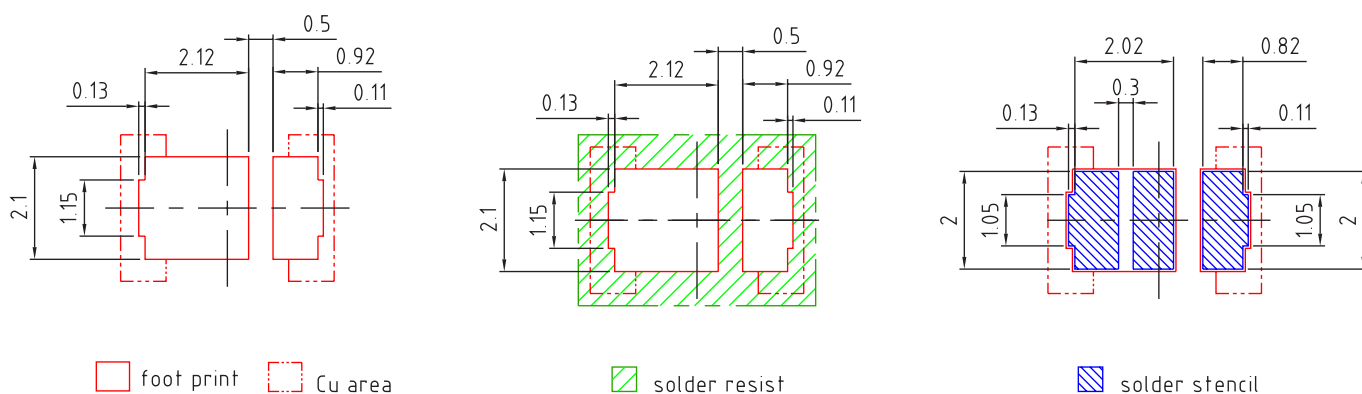
C67062-A0412-A1-02

Further Information:

Approximate Weight: 22.0 mg

Package marking: Cathode

Recommended Solder Pad ⁹⁾

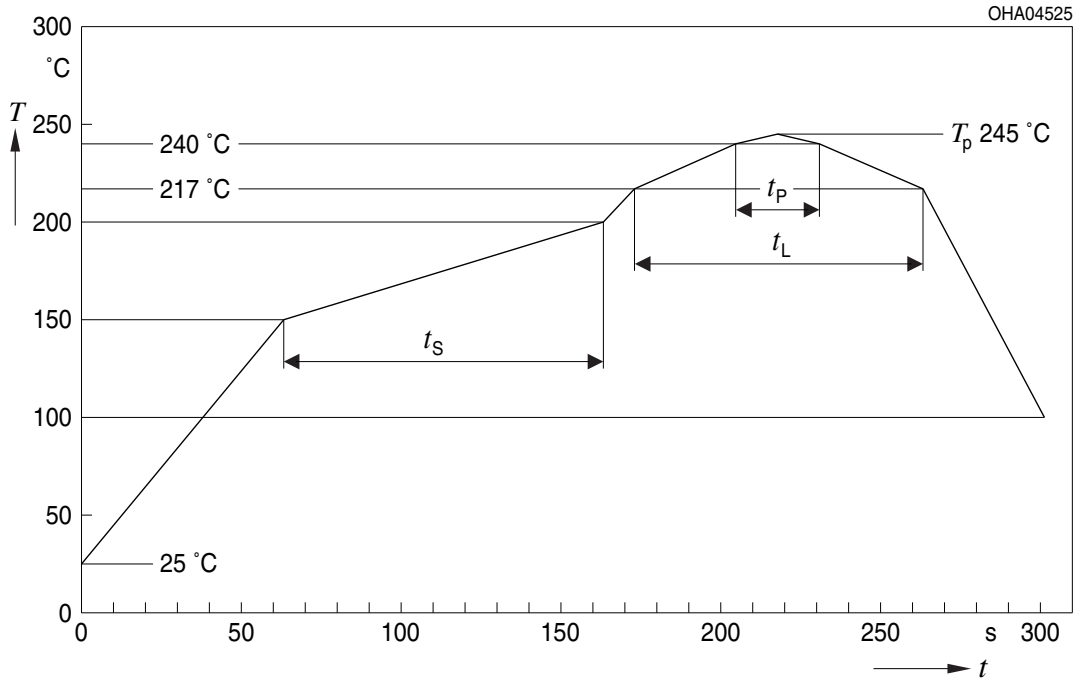


E067.0346.04-01

For superior solder joint connectivity results we recommend soldering under standard nitrogen atmosphere. Package not suitable for ultra sonic cleaning.

Reflow Soldering Profile

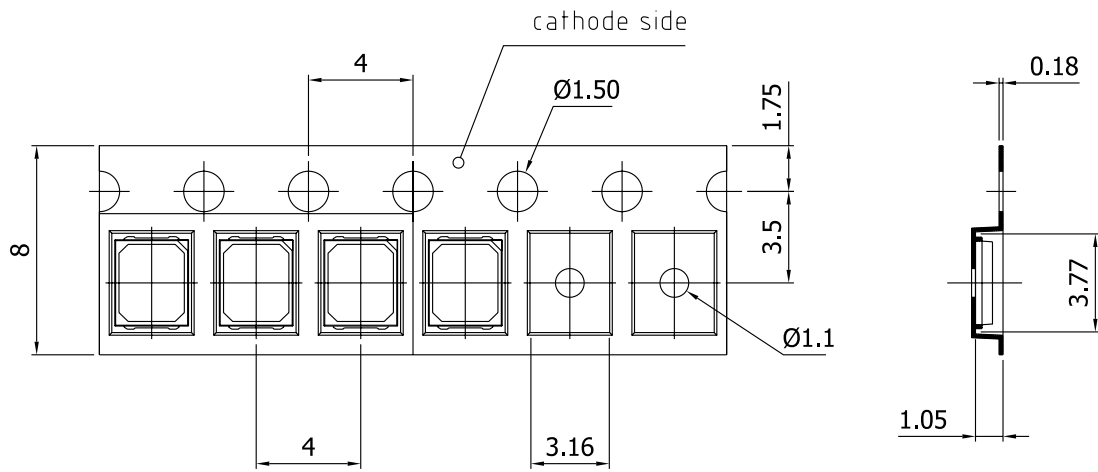
Product complies to MSL Level 3 acc. to JEDEC J-STD-020E



Profile Feature	Symbol	Pb-Free (SnAgCu) Assembly			Unit
		Minimum	Recommendation	Maximum	
Ramp-up rate to preheat ^{*)} 25 °C to 150 °C			2	3	K/s
Time t_s T_{Smin} to T_{Smax}	t_s	60	100	120	s
Ramp-up rate to peak ^{*)} T_{Smax} to T_p			2	3	K/s
Liquidus temperature	T_L		217		°C
Time above liquidus temperature	t_L		80	100	s
Peak temperature	T_p		245	260	°C
Time within 5 °C of the specified peak temperature $T_p - 5$ K	t_p	10	20	30	s
Ramp-down rate* T_p to 100 °C			3	6	K/s
Time 25 °C to T_p				480	s

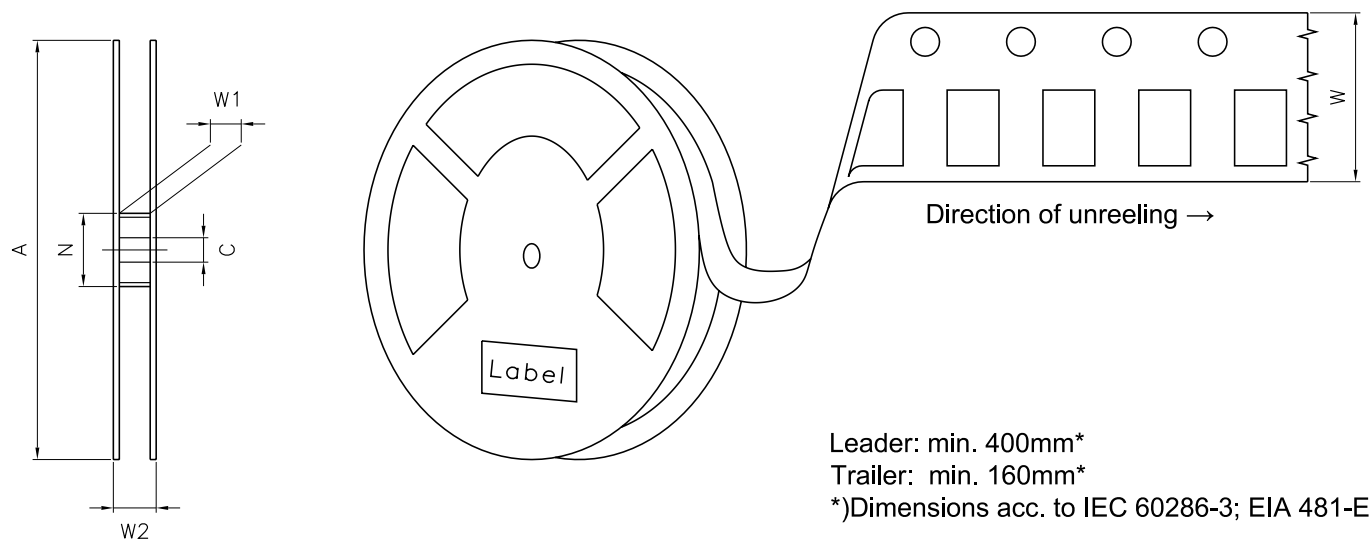
All temperatures refer to the center of the package, measured on the top of the component
 *) slope calculation DT/Dt : Dt max. 5 s; fulfillment for the whole T-range

Taping ⁹⁾



C67062-A0204-B9-01

Tape and Reel ¹⁰⁾



Reel Dimensions

A	W	N _{min}	W ₁	W _{2 max}	Pieces per PU
180 mm	8 + 0.3 / - 0.1 mm	60 mm	8.4 + 2 mm	14.4 mm	4000

Barcode-Product-Label (BPL)

OSRAM LX XXXX BIN1: XX-XX-X-XXX-X

RoHS Compliant


(6P) BATCH NO: 1234567890

(1T) LOT NO: 1234567890 (9D) D/C: 1234

(X) PROD NO: 123456789(Q)QTY: 9999 (G) GROUP: XX-XX-X-X

ML Temp ST
X XXX °C X

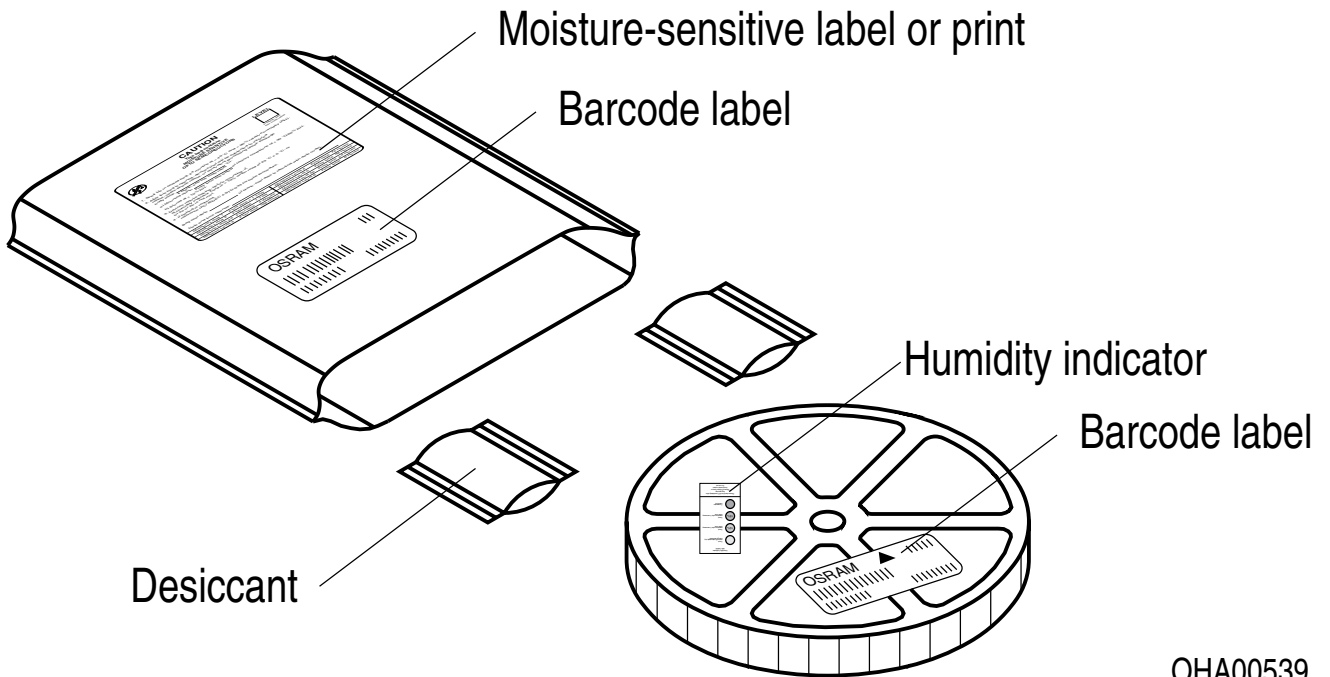
Pack: RXX
DEMY XXX
X_X123_1234.1234 X



The diagram shows a rounded rectangular label with the OSRAM logo at the top left. To its right are the codes 'LX XXXX' and 'BIN1: XX-XX-X-XXX-X'. Below the logo is the text 'RoHS Compliant'. The label features three horizontal barcode sections. The first is labeled '(6P) BATCH NO: 1234567890'. The second is labeled '(1T) LOT NO: 1234567890' and '(9D) D/C: 1234'. The third is labeled '(X) PROD NO: 123456789(Q)QTY: 9999' and '(G) GROUP: XX-XX-X-X'. To the right of the second barcode is a circular icon with a diagonal line and three raindrops, with the text 'ML Temp ST X XXX °C X' next to it. Below this icon is the text 'Pack: RXX', 'DEMY XXX', and 'X_X123_1234.1234 X'. On the far right is a square QR code.

OHA04563

Dry Packing Process and Materials



OHA00539

Notes

The evaluation of eye safety occurs according to the standard IEC 62471:2006 (photo biological safety of lamps and lamp systems). Within the risk grouping system of this IEC standard, the device specified in this data sheet fall into the class **low risk (exposure time 100 s)**. Under real circumstances (for exposure time, conditions of the eye pupils, observation distance), it is assumed that no endangerment to the eye exists from these devices. As a matter of principle, however, it should be mentioned that intense light sources have a high secondary exposure potential due to their blinding effect. When looking at bright light sources (e.g. headlights), temporary reduction in visual acuity and afterimages can occur, leading to irritation, annoyance, visual impairment, and even accidents, depending on the situation.

Subcomponents of this device contain, in addition to other substances, metal filled materials including silver. Metal filled materials can be affected by environments that contain traces of aggressive substances. Therefore, we recommend that customers minimize device exposure to aggressive substances during storage, production, and use. Devices that showed visible discoloration when tested using the described tests above did show no performance deviations within failure limits during the stated test duration. Respective failure limits are described in the IEC60810.

This device is designed for specific/recommended applications only. Please consult OSRAM Opto Semiconductors Sales Staff in advance for detailed information on other non-recommended applications (e.g. automotive).

Change management for this component is aligned with the requirements of the lighting market.

For further application related information please visit <https://ams-osram.com/support/application-notes>

Disclaimer

Attention please!

The information describes the type of component and shall not be considered as assured characteristics. Terms of delivery and rights to change design reserved. Due to technical requirements components may contain dangerous substances.

For information on the types in question please contact our Sales Organization.

If printed or downloaded, please find the latest version on our website.

Packing

Please use the recycling operators known to you. We can also help you – get in touch with your nearest sales office. By agreement we will take packing material back, if it is sorted. You must bear the costs of transport. For packing material that is returned to us unsorted or which we are not obliged to accept, we shall have to invoice you for any costs incurred.

Product and functional safety devices/applications or medical devices/applications

Our components are not developed, constructed or tested for the application as safety relevant component or for the application in medical devices.

Our products are not qualified at module and system level for such application.

In case buyer – or customer supplied by buyer – considers using our components in product safety devices/ applications or medical devices/applications, buyer and/or customer has to inform our local sales partner immediately and we and buyer and /or customer will analyze and coordinate the customer-specific request between us and buyer and/or customer.

Glossary

- 1) **Brightness:** Brightness values are measured during a current pulse of typically 10 ms, with a tolerance of +/- 7%.
- 2) **Reverse Operation:** Not designed for reverse operation. Continuous reverse operation can cause migration and damage of the device.
- 3) **Forward Voltage:** The Forward voltage is measured during a current pulse duration of typically 1 ms with a tolerance of $\pm 0.05V$.
- 4) **Color reproduction index:** Color reproduction index values (CRI-RA) are measured during a current pulse of typically 10 ms and with a tolerance of ± 2 . And CRI-R9 are measured during a current pulse of typically 10 ms and the 4000K with a tolerance of ± 6 .
- 5) **Chromaticity coordinate groups:** Chromaticity coordinate groups are measured during a current pulse duration of typically 10ms with a tolerance of ± 0.005 .
- 6) **Typical Values:** Due to the special conditions of the manufacturing processes of semiconductor devices, the typical data or calculated correlations of technical parameters can only reflect statistical figures. These do not necessarily correspond to the actual parameters of each single product, which could differ from the typical data and calculated correlations or the typical characteristic line. If requested, e.g. because of technical improvements, these typ. data will be changed without any further notice.
- 7) **Characteristic curve:** In the range where the line of the graph is broken, you must expect higher differences between single devices within one packing unit.
- 8) **Thermal Resistance:** $R_{th\ max}$ is based on statistic values (6σ) used for Derating.
- 9) **Tolerance of Measure:** Unless otherwise noted in drawing, tolerances are specified with ± 0.1 and dimensions are specified in mm.
- 10) **Tape and Reel:** All dimensions and tolerances are specified acc. IEC 60286-3 and specified in mm.

Revision History

Version	Date	Change
1.0	2021-06-11	Initial Version
1.0	2021-06-18	Initial Version
1.1	2021-08-19	Features Characteristics Electro - Optical Characteristics (Diagrams) Glossary
1.2	2021-11-22	Chromaticity Coordinate Groups
1.3	2023-02-21	Maximum Ratings Characteristics Derating (Diagrams) Applications Description
1.4	2024-10-14	Features Ordering Information Chromaticity Coordinate Groups
1.5	2025-03-13	Ordering Information



EU RoHS and China RoHS compliant product

此产品符合欧盟 RoHS 指令的要求；
按照中国的相关法规和标准，
不含有毒有害物质或元素。

Published by ams-OSRAM AG

Tobelbader Strasse 30, 8141 Premstaetten, Austria

Phone +43 3136 500-0

ams-osram.com

© All rights reserved

am 

OSRAM

Mouser Electronics

Authorized Distributor

Click to View Pricing, Inventory, Delivery & Lifecycle Information:

[ams OSRAM:](#)

[GW QTLQS1.LM-K5LZ-XX57-1](#) [GW QTLQS1.LM-LVL1-XX51-1](#) [GW QTLQS1.LM-LVL1-XX52-1](#) [GW QTLQS1.LM-LVL1-XX56-1](#) [GW QTLQS1.LM-LWL2-XX53-1](#) [GW QTLQS1.LM-LWL2-XX55-1](#) [GW QTLQS1.LM-K3LW-XX510-1-150-R18](#) [GW QTLQS1.LM-LVLZ-XX58-1-150-R18](#) [GW QTLQS1.LM-KYK3-XX512-1-150-R18](#) [GW QTLQS1.LM-LVLX-XX31-CD-150-R18](#) [GW QTLQS1.LM-LWLY-XX35-CD-150-R18](#) [GW QTLQS1.LM-K3K5-XX310-CD-150-R18](#) [GW QTLQS1.LM-LWLY-XX32-CD-150-R18](#) [GW QTLQS1.LM-LVLX-XX38-CD-150-R18](#) [GW QTLQS1.LM-LWLY-XX33-CD-150-R18](#) [GW QTLQS1.LM-LVLX-XX36-CD-150-R18](#) [GW QTLQS1.LM-KYK1-XX312-CD-150-R18](#) [GW QTLQS1.LM-LWLY-XX37-CD-150-R18](#)