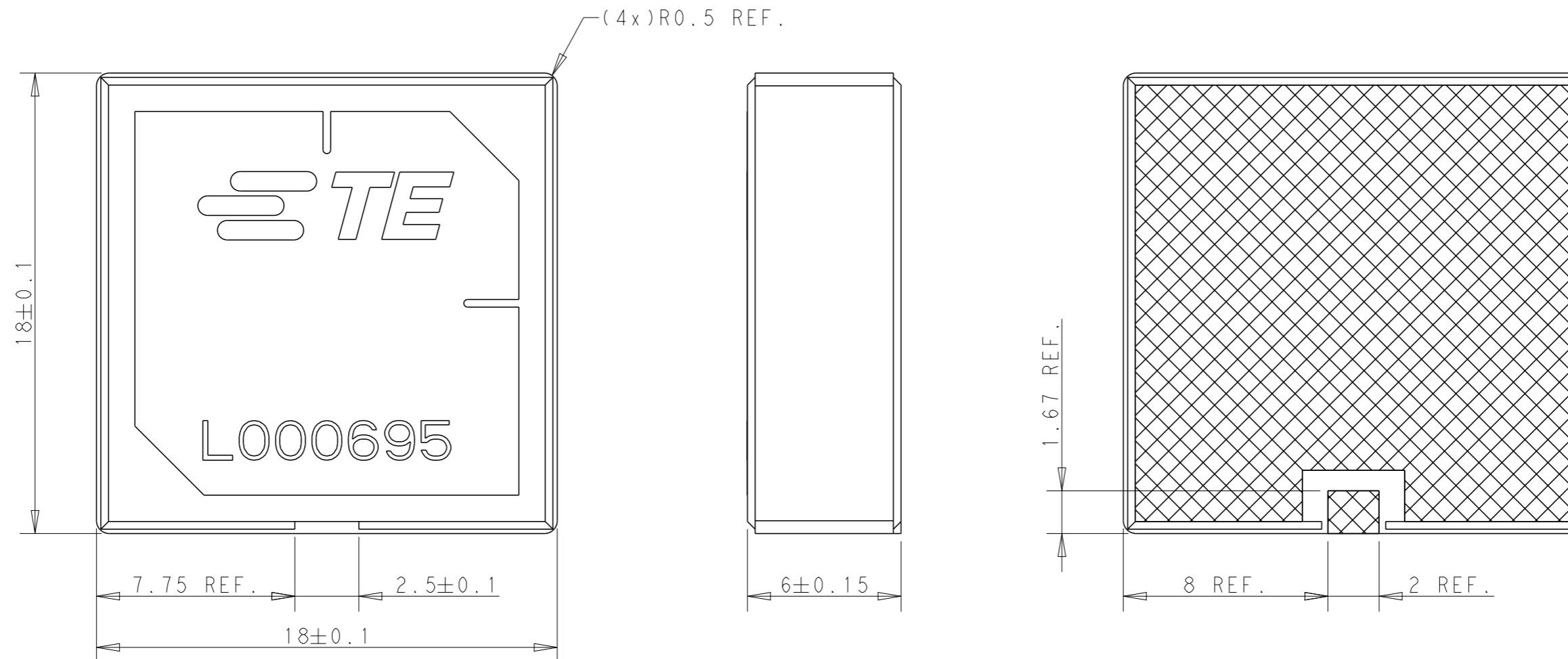


REVISIONS

P	LTR	DESCRIPTION	DATE	DWN	APVD
	A	REVISED PER ECN-24-287347	04OCT2024	DW	VK



NOTES: UNLESS OTHERWISE SPECIFIED.

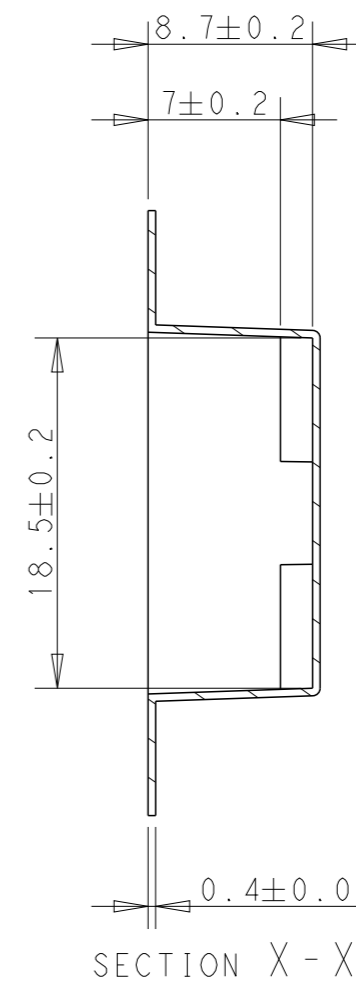
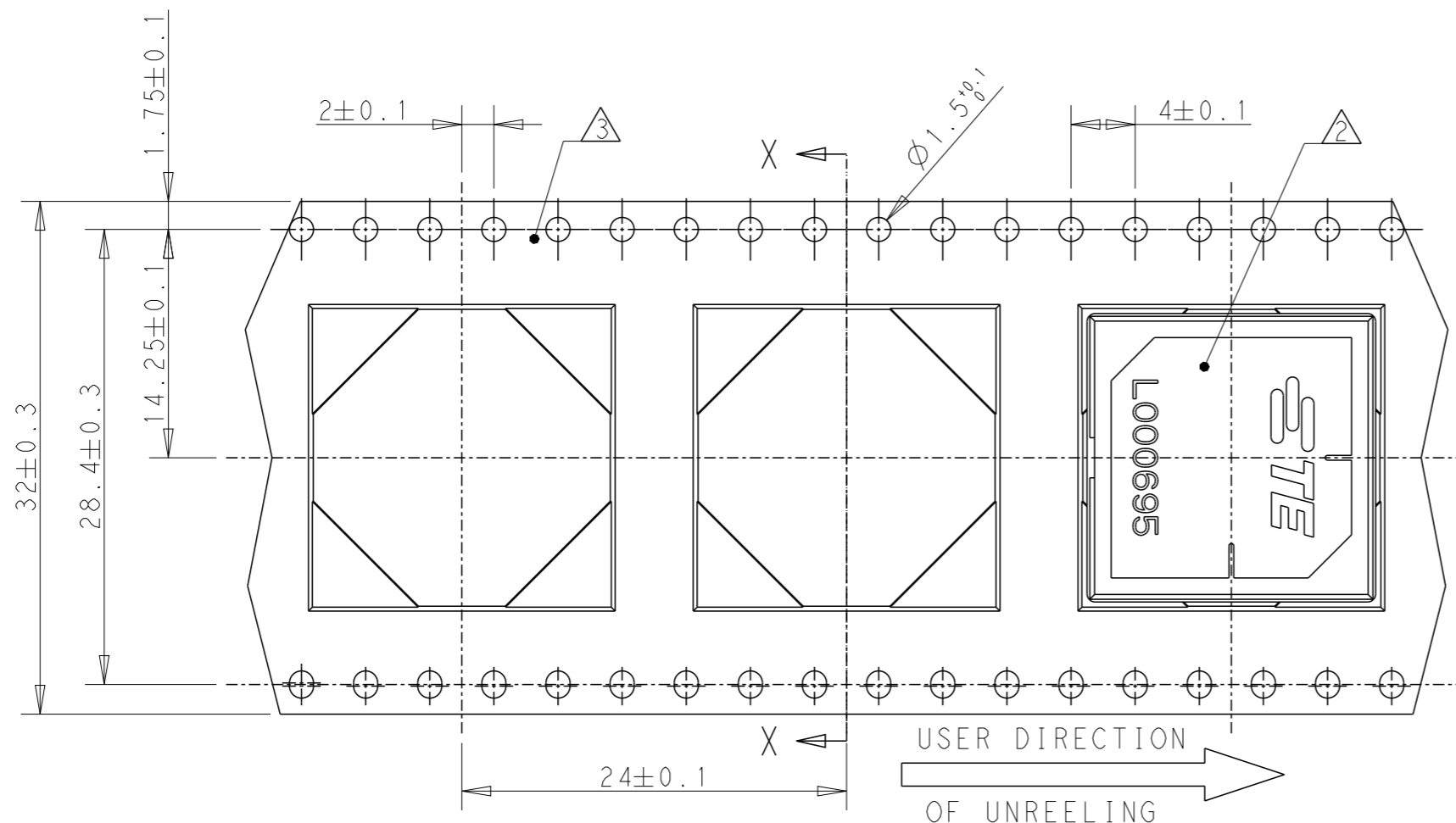
1. MATERIAL : CERAMIC
2. CONSULT TE CONNECTIVITY DATA SHEET : L000695
3. CONTACT TE CONNECTIVITY ENGINEERING PRIOR TO DESIGNIN INTO AN APPLICATION.
4. PACKAGING : REEL PACKAGED, SEE SHEET 2

TAPE AND REELED	L000695-01
PACKAGING	PART NUMBER

THIS DRAWING IS A CONTROLLED DOCUMENT.		DWN DW.PARK 29MAY2024		
DIMENSIONS: mm		CHK SJ.NOH 29MAY2024		
		APVD NG.WEITAT 29MAY2024		
TOLERANCES UNLESS OTHERWISE SPECIFIED:		PRODUCT SPEC	NAME Ceramic Patch ant, 1561-1602MHz, 18x18x6	
0 PLC ±-		APPLICATION SPEC	SIZE	RESTRICTED TO
1 PLC ±-			CAGE CODE	
2 PLC ±-			DRAWING NO	
3 PLC ±-			SCALE	
4 PLC ±-			SHEET	
ANGLES ±-		WEIGHT	OF	
FINISH			REV	
MATERIAL SEE NOTE 1		CUSTOMER DRAWING	A300779 ©-L000695	
			5:1	1 OF 4
				A

AS SHOWN L000695-01 ANTENNA WITH REEL PACKAGING
REFERENCE ONLY

P	LTR	DESCRIPTION	DATE	DWN	APVD
		SEE SHEET 1			



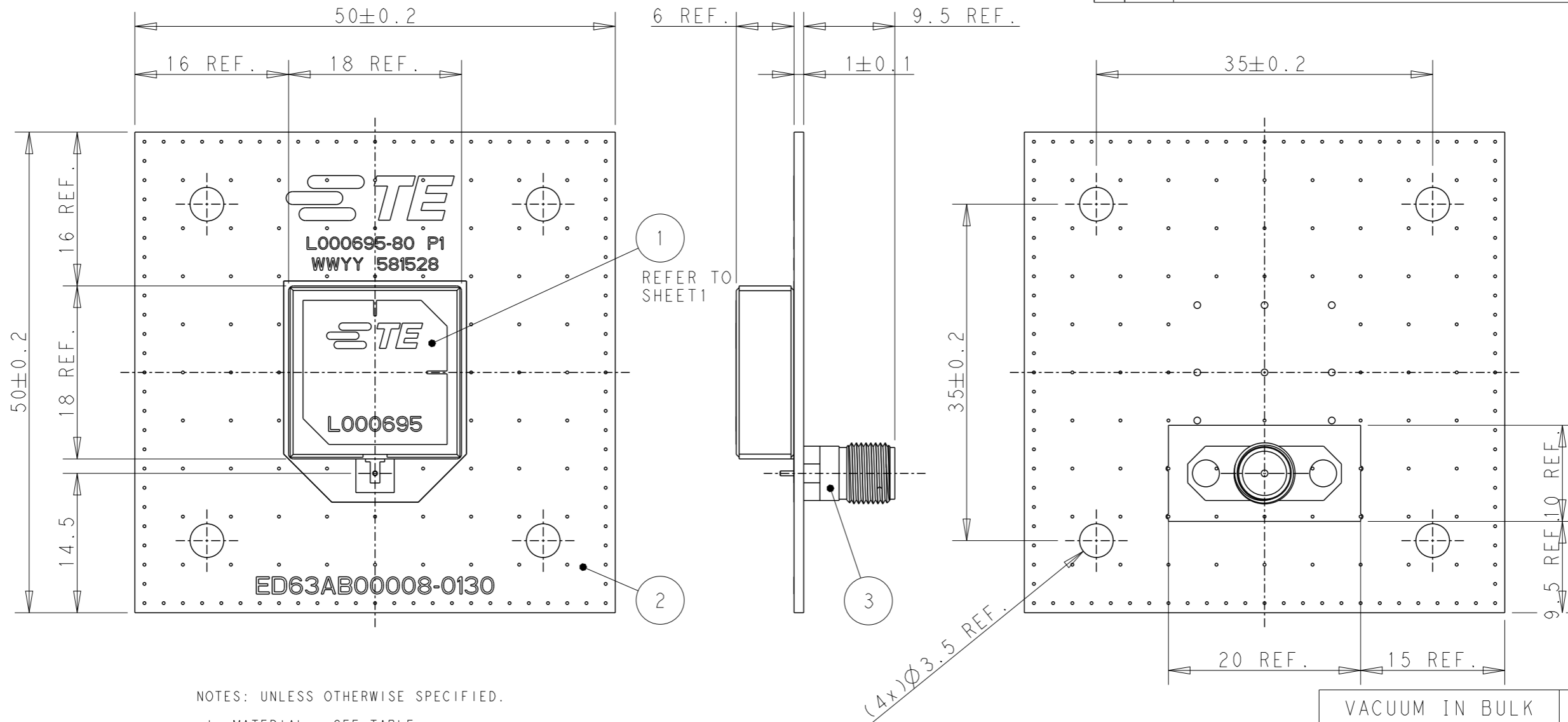
NOTES.

- UNLESS OTHERWISE SPECIFIED TOLERANCE PER EIA-481-D
- ORIENT PARTS AS SHOWN.
- MATERIAL : P.S 0.4mm THICKNESS, COLOR : BLACK, CONDUCTIVE
WHEN ALTERNATIVEMATERIAL (PET, P.P) USE, CONSULT ECO PRIOR TO MANUFACTURER.
- Q'TY : 150PCS/REEL

THIS DRAWING IS A CONTROLLED DOCUMENT.		DWN DW.PARK	29MAY2024	TE Connectivity	
DIMENSIONS: mm		CHK SJ.NOH	29MAY2024		
TOLERANCES UNLESS OTHERWISE SPECIFIED:		APVD NG.WEITAT	29MAY2024	NAME Ceramic Patch ant, 1561-1602MHz, 18x18x6	
0 PLC ±- 1 PLC ±- 2 PLC ±- 3 PLC ±- 4 PLC ±- ANGLES ±-		PRODUCT SPEC		RESTRICTED TO	
MATERIAL SEE NOTE 3		FINISH		APPLICATION SPEC	
		WEIGHT		SIZE A3	CAGE CODE 00779
		CUSTOMER DRAWING		DRAWING NO L000695	
		SCALE 5:2		SHEET 2 OF 4	REV A

P	LTR	DESCRIPTION	DATE	DWN	APVD
		SEE SHEET 1			

ANTENNA WITH EVB ASS'Y



NOTES: UNLESS OTHERWISE SPECIFIED.

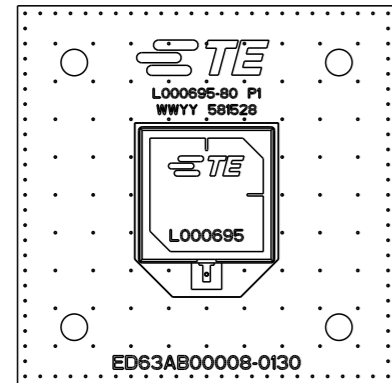
1. MATERIAL : SEE TABLE.
2. FINISH : EVB ASSEMBLY WITH SOLDER PROCESS
3. CONSULTS TE CONNECTIVITY DATA SHEET L000695
4. CONTACT TE CONNECTIVITY ENGINEERING PRIOR TO DESIGNING INTO AN APPLICATION.
5. PACKAGING: SECURELY VACUUM PACKAGED IN BULK.(REFER TO SHEET4)

VACUUM IN BULK		L000695-80
PACKAGING		PART NUMBER
1	SMA FEMALE CONNECTOR	3
1	EVB	2
1	L000695-01 ANTENNA	1
Q'TY (PC)	DESCRIPTION	ITEM

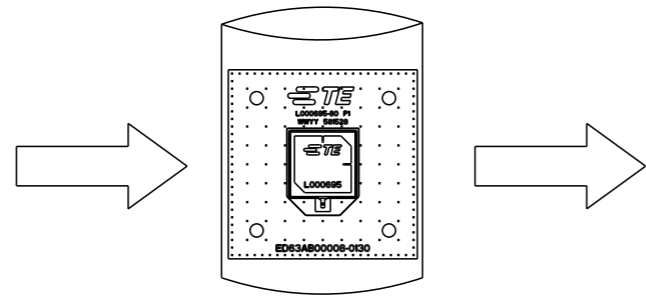
THIS DRAWING IS A CONTROLLED DOCUMENT.		DWN DW.PARK 29MAY2024	TE Connectivity	
DIMENSIONS: mm		CHK SJ.NOH 29MAY2024		
TOLERANCES UNLESS OTHERWISE SPECIFIED:		APVD NG.WEITAT 29MAY2024	NAME Ceramic Patch ant, 1561-1602MHz, 18x18x6	
0 PLC ±- 1 PLC ±- 2 PLC ±- 3 PLC ±- 4 PLC ±- ANGLES ±-		PRODUCT SPEC -	APPLICATION SPEC -	
MATERIAL SEE NOTE 1		WEIGHT -	SIZE A3	CAGE CODE 00779
-		FINISH -	DRAWING NO L000695	
CUSTOMER DRAWING			SCALE 2:1	SHEET 3 OF 4
			RESTRICTED TO -	REV A

P	LTR	DESCRIPTION	DATE	DWN	APVD
		SEE SHEET 1			

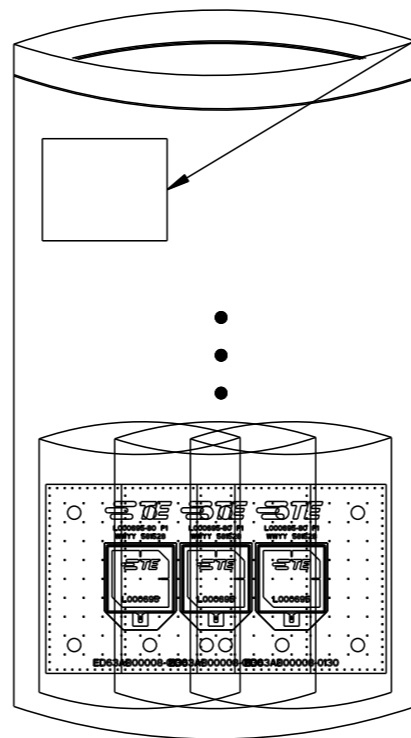
PACKAGING SPECIFICATIONS FOR REFERENCE



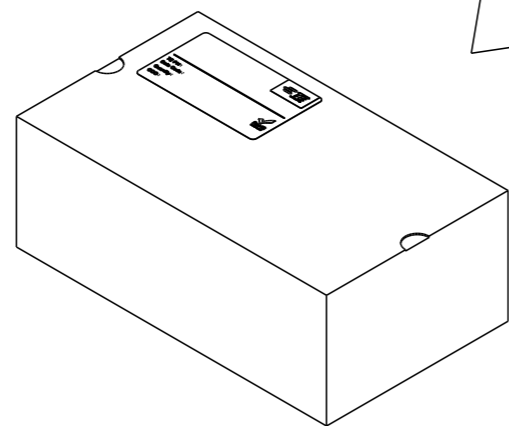
ANTENNA WITH EVB ASS'Y



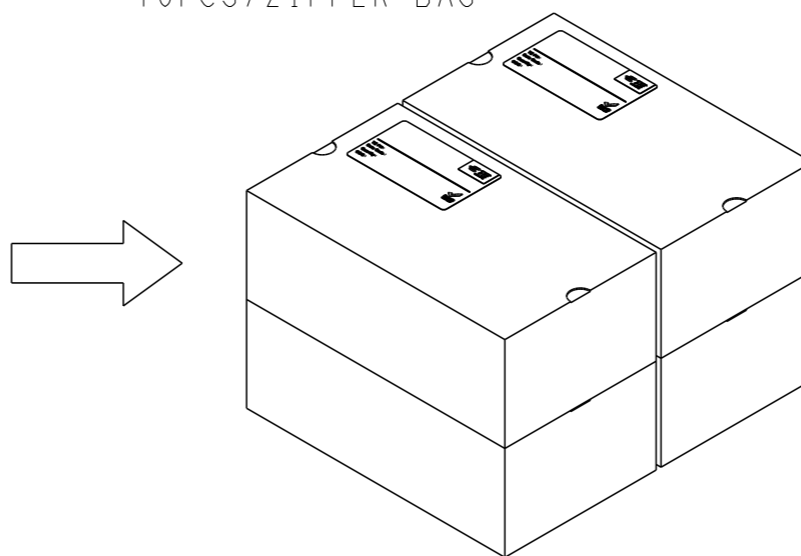
1PC/BAG
DRYING AGENT : 1PC/BAG



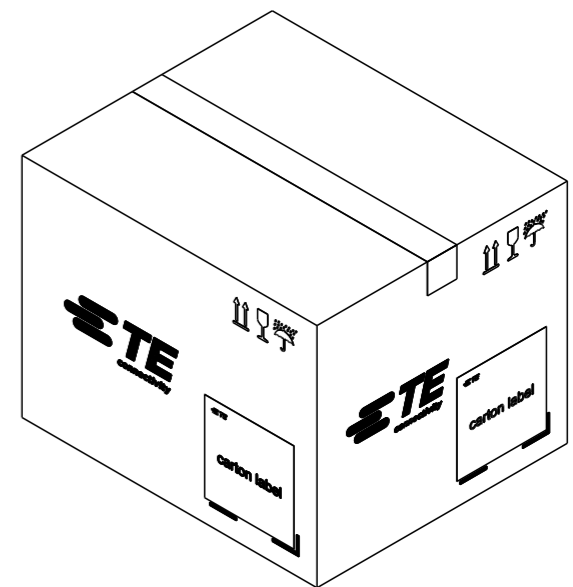
10PCS/ZIPPER BAG



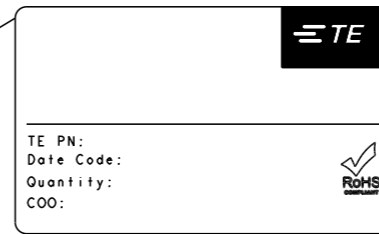
4 ZIPPER BAGS/BOX
40PCS/BOX
BOX SIZE : 154x263x96(MM)



4 BOXES



4 BOXES/CARTON
160PCS/CARTON
SIZE : 330x280x254(MM)



THIS DRAWING IS A CONTROLLED DOCUMENT.		DWN	DW.PARK	29MAY2024	 TE Connectivity	NAME Ceramic Patch ant, 1561-1602MHz, 18x18x6	RESTRICTED TO
DIMENSIONS:		CHK	SJ.NOH	29MAY2024			
mm	TOLERANCES UNLESS OTHERWISE SPECIFIED:	APVD	NG.WEITAT	29MAY2024			
	0 PLC ±- 1 PLC ±- 2 PLC ±- 3 PLC ±- 4 PLC ±- ANGLES ±-	PRODUCT SPEC	-	-			
MATERIAL	FINISH	APPLICATION SPEC	-	-	SIZE	CAGE CODE	DRAWING NO
-	-	WEIGHT	-	-	A3	00779	C=L000695
CUSTOMER DRAWING		SCALE		1:1	SHEET		4 OF 4
							REV
							A

Mouser Electronics

Authorized Distributor

Click to View Pricing, Inventory, Delivery & Lifecycle Information:

[TE Connectivity:](#)

[L000695-80](#)