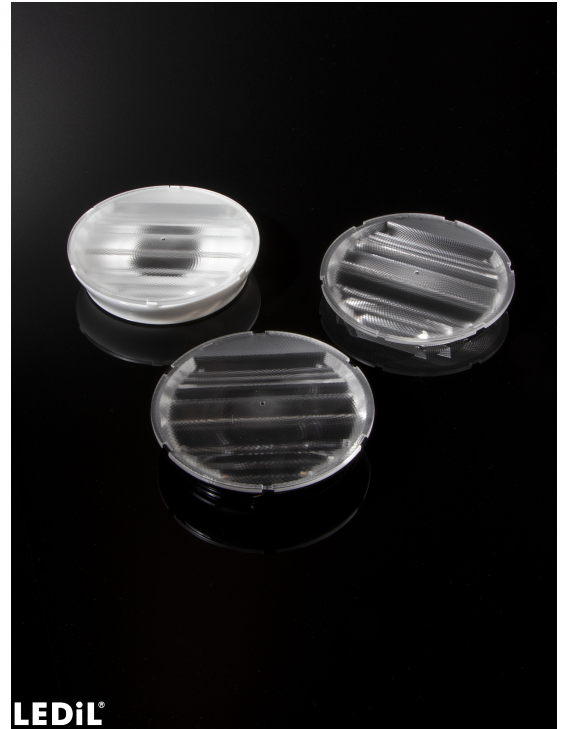


AMY-110-WAS

Asymmetric beam for wall-washing

SPECIFICATION:

| | |
|----------------|---------|
| Dimensions | Ø 109.7 |
| Height | 22.1 mm |
| ROHS compliant | yes ⓘ |

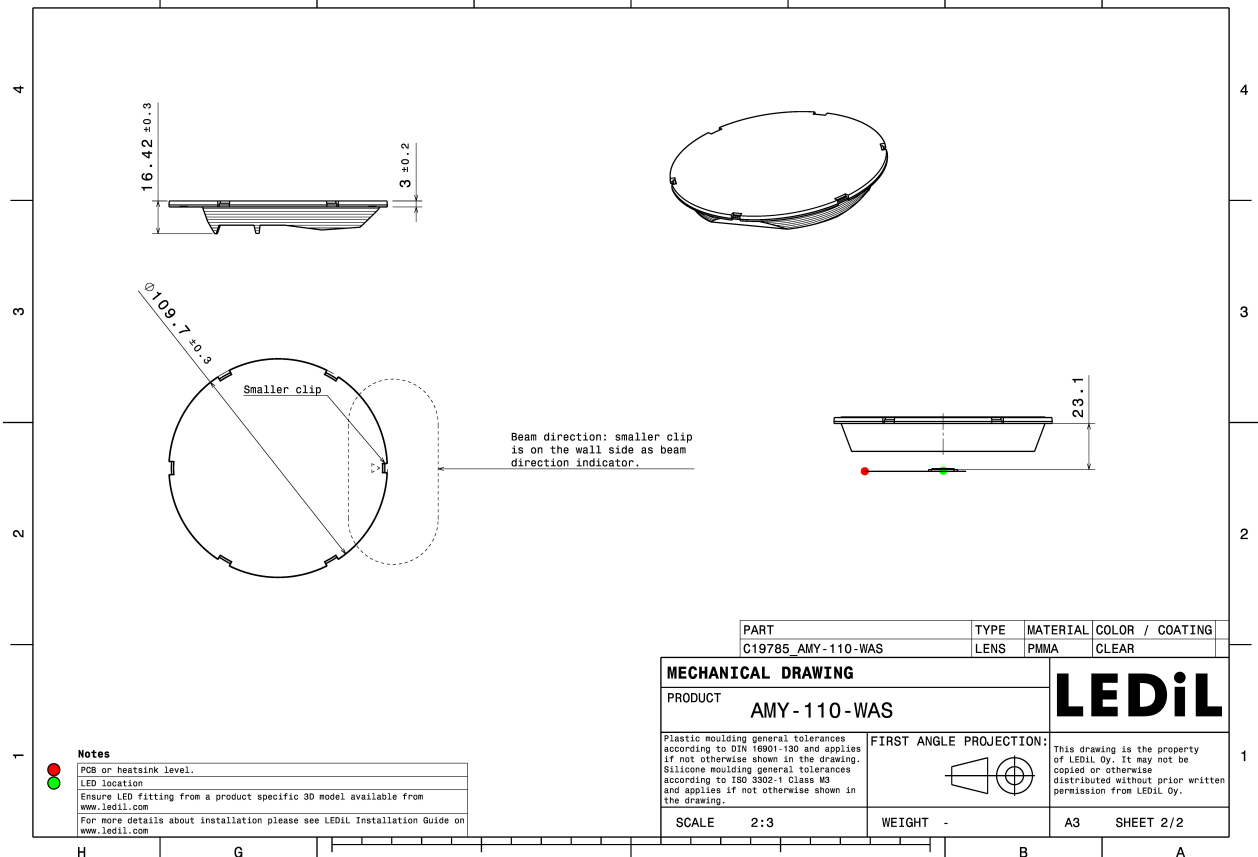
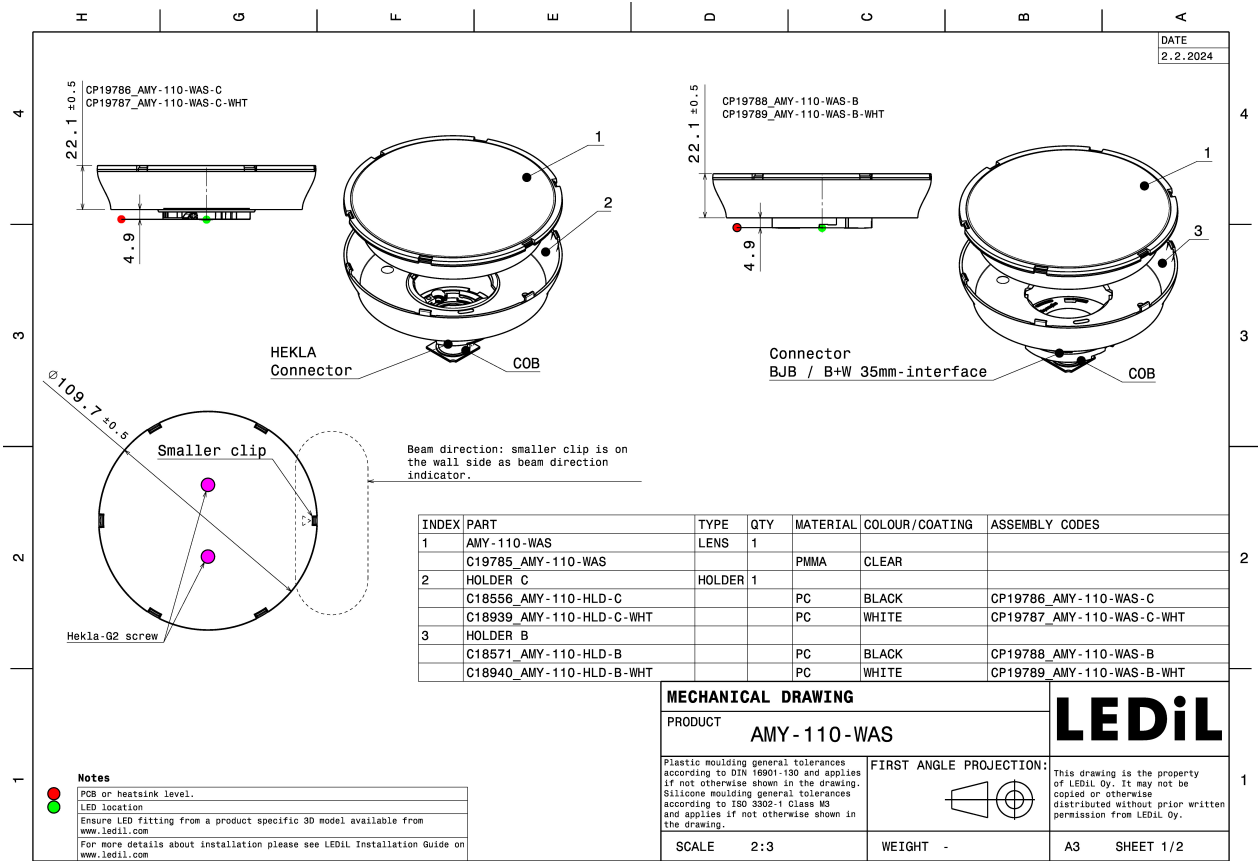


MATERIALS:

| Component | Type | Material | Colour | Finish | Length (mm) |
|-------------------|-------------|----------|--------|--------|-------------|
| AMY-110-WAS | Single lens | PMMA | | | |
| AMY-110-HLD-C | Holder C | PC | black | | |
| AMY-110-HLD-C-WHT | Holder C | PC | white | | |
| AMY-110-HLD-B | Holder B | PC | black | | |
| AMY-110-HLD-B-WHT | Holder B | PC | white | | |

ORDERING INFORMATION:

| Component | Qty in box | MOQ | MPQ | Box weight (kg) |
|---------------------------|------------|-----|-----|-----------------|
| C19785_AMY-110-WAS | 128 | 128 | 8 | 13.1 |
| Assembly | | | | |
| CP19789_AMY-110-WAS-B-WHT | 77 | 77 | 7 | 10.2 |
| CP19788_AMY-110-WAS-B | 77 | 77 | 7 | 10.1 |
| CP19787_AMY-110-WAS-C-WHT | 77 | 77 | 7 | 10.2 |
| CP19786_AMY-110-WAS-C | 77 | 77 | 7 | 10.1 |

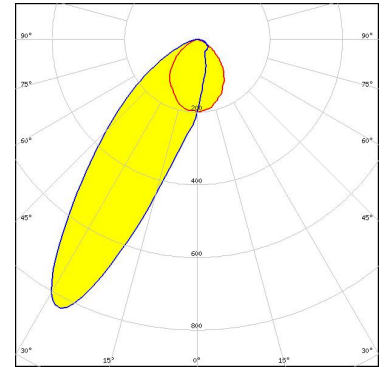


See also our general installation guide: www.ledil.com/installation_guide

OPTICAL RESULTS (SIMULATED):



LED V22 Gen 8-9
Ordering code CP19786_AMY-110-WAS-C
FWHM / FWTM Asymmetric
Efficiency 74 %
Peak intensity 0.8 cd/lm
LEDs/each optic 1
Light colour/type White
Required components:

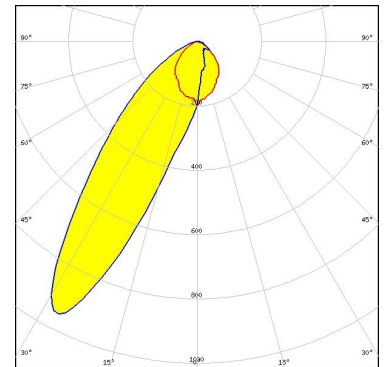


Bender Wirth: 631b Hekla XL

Light distribution files



LED Vesta TW 18mm (31W) DP
FWHM / FWTM Asymmetric
Efficiency 78 %
Peak intensity 1 cd/lm
LEDs/each optic 1
Light colour/type Tunable White
Required components:
 C16142_HEKLA-SOCKET-K

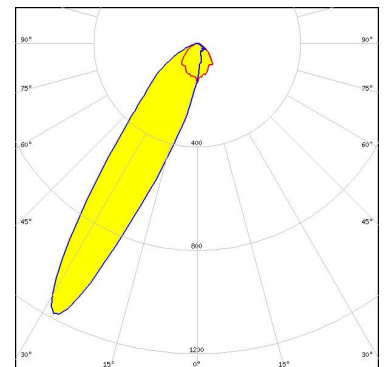


Bender Wirth: 483 Typ L8

Light distribution files

CITIZEN

LED CLU03x
Ordering code CP19786_AMY-110-WAS-C
FWHM / FWTM Asymmetric
Efficiency 81 %
Peak intensity 1.2 cd/lm
LEDs/each optic 1
Light colour/type White
Required components:
 F17438_HEKLA-G2-I

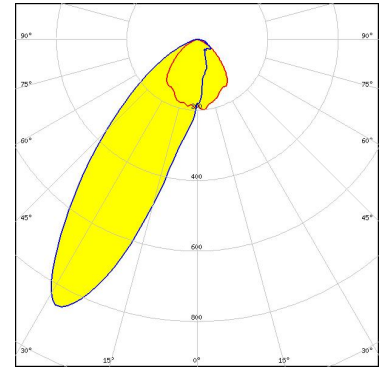


Light distribution files

OPTICAL RESULTS (SIMULATED):

CITIZEN

LED CLU04x
Ordering code CP19788_AMY-110-WAS-B
FWHM / FWTM Asymmetric
Efficiency 80 %
Peak intensity 0.9 cd/lm
LEDs/each optic 1
Light colour/type White
Required components:

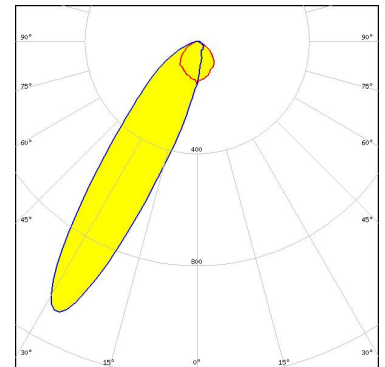


BJB: 47.319.2030

Light distribution files



LED CMA1840
Ordering code CP19786_AMY-110-WAS-C
FWHM / FWTM Asymmetric
Efficiency 80 %
Peak intensity 1.1 cd/lm
LEDs/each optic 1
Light colour/type White
Required components:

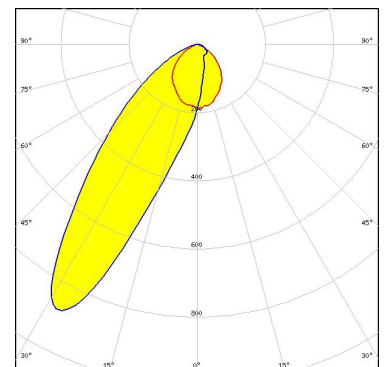


Bender Wirth: 637a Hekla

Light distribution files



LED CMA2550
Ordering code CP19786_AMY-110-WAS-C
FWHM / FWTM Asymmetric
Efficiency 77 %
Peak intensity 0.9 cd/lm
LEDs/each optic 1
Light colour/type White
Required components:



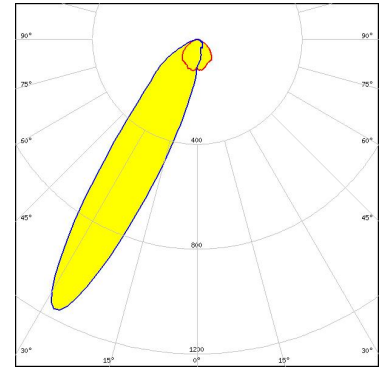
Bender Wirth: 639a Hekla XL

Light distribution files

OPTICAL RESULTS (SIMULATED):



LED CMB1818-25
Ordering code CP19786_AMY-110-WAS-C
FWHM / FWTM Asymmetric
Efficiency 81 %
Peak intensity 1.2 cd/lm
LEDs/each optic 1
Light colour/type White
Required components:

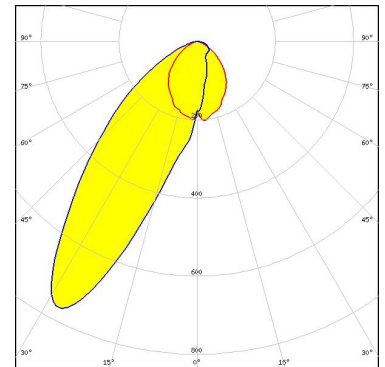


Bender Wirth: 637a Hekla

[Light distribution files](#)



LED CMU22xx
Ordering code CP19786_AMY-110-WAS-C
FWHM / FWTM Asymmetric
Efficiency 72 %
Peak intensity 0.8 cd/lm
LEDs/each optic 1
Light colour/type White
Required components:

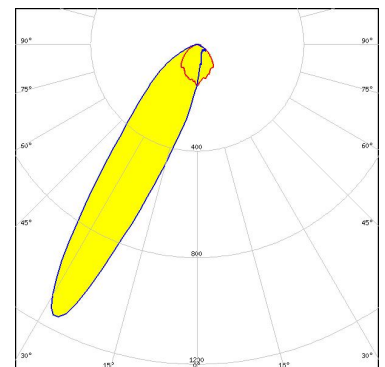


Bender Wirth: 631b Hekla XL

[Light distribution files](#)



LED LC016D / LC019D / LC026D / LC033D
Ordering code CP19786_AMY-110-WAS-C
FWHM / FWTM Asymmetric
Efficiency 81 %
Peak intensity 1.2 cd/lm
LEDs/each optic 1
Light colour/type White
Required components:
F17438_HEKLA-G2-I

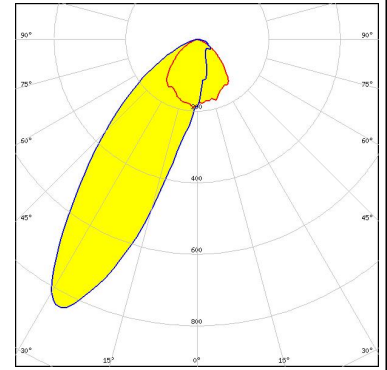


[Light distribution files](#)

OPTICAL RESULTS (SIMULATED):

SAMSUNG

| | |
|----------------------|--------------------------|
| LED | LC040D / LC060D / LC080D |
| Ordering code | CP19788_AMY-110-WAS-B |
| FWHM / FWTM | Asymmetric |
| Efficiency | 80 % |
| Peak intensity | 0.8 cd/lm |
| LEDs/each optic | 1 |
| Light colour/type | White |
| Required components: | |



Light distribution files

BJB: 47.319.2030

GENERAL INFORMATION:

NOTE: The typical beam angle will be changed by different color, chip size and chip position tolerance. The typical total beam angle is the full angle measured where the luminous intensity is half of the peak value.

Due to use of high power COB's with this product, special attention to proper thermal design is highly recommended. LEDiL has no liability for direct, indirect or consecutive damages arising from the LEDiL products being used outside of the recommended temperature range.

MATERIALS:

As part of our continuous research and improvement processes, and to ensure the best possible quality and availability of our products, LEDiL reserves the right to change material grades without notice.

PRODUCT DATA USER AGREEMENT AND DISCLAIMER:

The measured data in the provided downloadable LEDiL Product Datasheets and Mechanical 2D-Drawings is rounded and provided as reference for planning. LEDiL Oy's optical specifications have been verified by conducting performance testing of the products in accordance with the company's quality system. The reported data are averaged results of multiple measurements with typical variation. LEDiL Oy reserves the right to without prior notification make changes and improvements to its products.

LEDiL Oy assumes neither warranty, nor guarantee nor any other liability of any kind for the contents and correctness of the provided data. The provided data has been generated with highest diligence but the provided data may in reality not represent the complete possible variation range of all intrinsic parameters. Therefore, in certain cases a deviation from the provided data could occur.

LEDiL Oy reserves the right to undertake technical changes of its products without further notification which could lead to changes in the provided data. LEDiL Oy assumes no liability of any kind for the possible deviation from any provided data or any other damage resulting from the usage of the provided data.

The user agrees to this disclaimer and user agreement with the download or usage of the provided files.

LEDiL Oy

Joensuunkatu 7
FI-24100 SALO
Finland

LEDiL Inc.

228 West Page Street
Suite D
Sycamore IL 60178
USA

Ledil Optics Technology (Shenzhen) Co., Ltd.

405 , Block B
Casic Motor Building
Shenzhen 518057
P.R.CHINA

Local sales and technical support

[www.ledil.com/
where_to_buy](http://www.ledil.com/where_to_buy)

Shipping locations

Poznan, Poland
Hong Kong, China

Distribution Partners

[www.ledil.com/
where_to_buy](http://www.ledil.com/where_to_buy)

Mouser Electronics

Authorized Distributor

Click to View Pricing, Inventory, Delivery & Lifecycle Information:

[Ledi:](#)

[CP19787_AMY-110-WAS-C-WHT](#) [CP19788_AMY-110-WAS-B](#) [CP19789_AMY-110-WAS-B-WHT](#) [CP19786_AMY-110-WAS-C](#) [C19785_AMY-110-WAS](#)