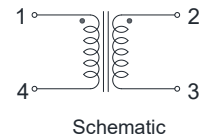
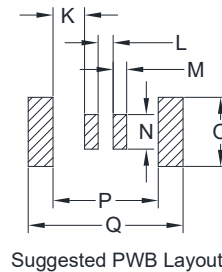
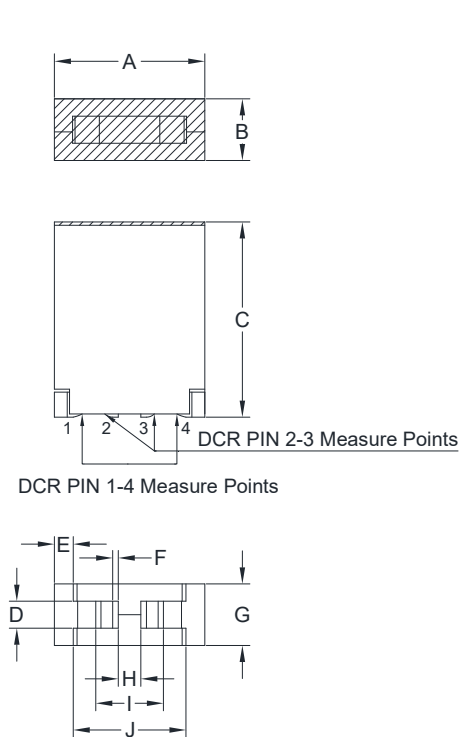




## DELTA P/N: TLM104613F Series

### Mechanical Dimensions & Schematic



UNIT : mm

A = 10.2 MAX	K = 2.1
B = 4.6 MAX	L = 1.0
C = 13.0 MAX	M = 0.9
D = 1.8	N = 2.3
E = 1.25	O = 4.6
F = 0.37	P = 7.0
G = 4.1	Q = 10.3
H = 1.5	
I = 4.5	
J = 7.5	



### Electrical Characteristics @ 25°C, 100kHz, 1V

Delta P/N	L (nH) ± 15%	Li (nH) MIN	DCR (mΩ) ± 10%		Isat <sup>1</sup> (A)			Ir <sup>2</sup> (A)	
			1-4	2-3	25°C	100°C	125°C	1-4	2-3
			TLM104613F-900	90	65			111	94
TLM104613F-101	100	72	0.23	0.85	99	84	79	70	36
TLM104613F-121	120	86			82	70	66		
TLM104613F-151	150	108			65	55	52		

1. Isat is the DC current which causes the inductance drop to Li.
2. Ir is the DC current which causes the surface temperature of the part increase approximately 40 °C.
3. Operating temperature: -40°C to 125°C (Self-temperature rise included).

# Mouser Electronics

Authorized Distributor

Click to View Pricing, Inventory, Delivery & Lifecycle Information:

[Cyntec:](#)

[TLM104613F-900](#) [TLM104613F-151](#) [TLM104613F-101](#) [TLM104613F-121](#)