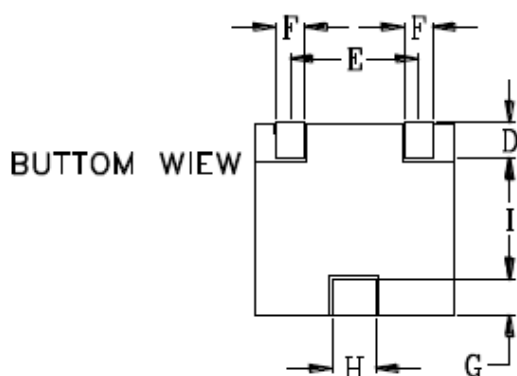
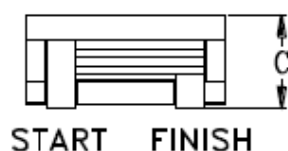
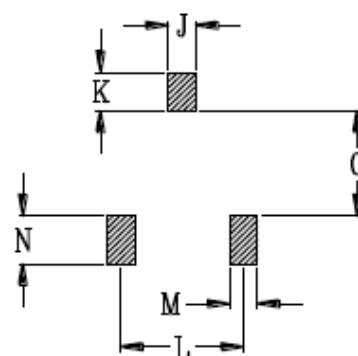
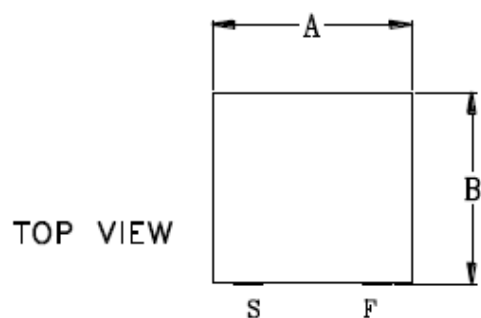




## DELTA P/N : HMP1710 Series

### Mechanical dimensions



UNIT : mm

A = 17.5 MAX	J = 3.0
B = 16.7 MAX.	K = 3.25
C = 10.0 MAX	L = 11.4
D = 3.0±0.3	M = 3.4
E = 11.4±0.5	N = 4.05
F = 2.4	O = 9.5
G = 2.5	
H = 2.5	
I = 10.5	

### Electrical Characteristics: @25°C, 100kHz, 1V

Delta P/N	L <sup>1</sup> (uH)	Li (uH) MIN	DCR (mΩ) MAX	Isat <sup>2</sup> (A)	Ir <sup>3</sup> (A)
HMP1710M-2R0	2.0	1.44	1.3	37	54
HMP1710-3R3	3.3	2.4	1.8	27.5	25
HMP1710-4R7	4.7	3.4	2.9	25	22
HMP1710-6R8	6.8	4.9	5.6	25	14

1. Tolerance of inductance : ± 20%
2. Isat is the DC current which causes the inductance drop not less than Li
3. Ir is the DC current which causes the surface temperature of the part increase approximately 45 °C .
4. Operating temperature: -40°C to 125°C (Self-temperature rise included).

# Mouser Electronics

Authorized Distributor

Click to View Pricing, Inventory, Delivery & Lifecycle Information:

[Cyntec:](#)

[HMP1710-6R8](#) [HMP1710M-2R0](#) [HMP1710-3R3](#) [HMP1710-4R7](#)