

4

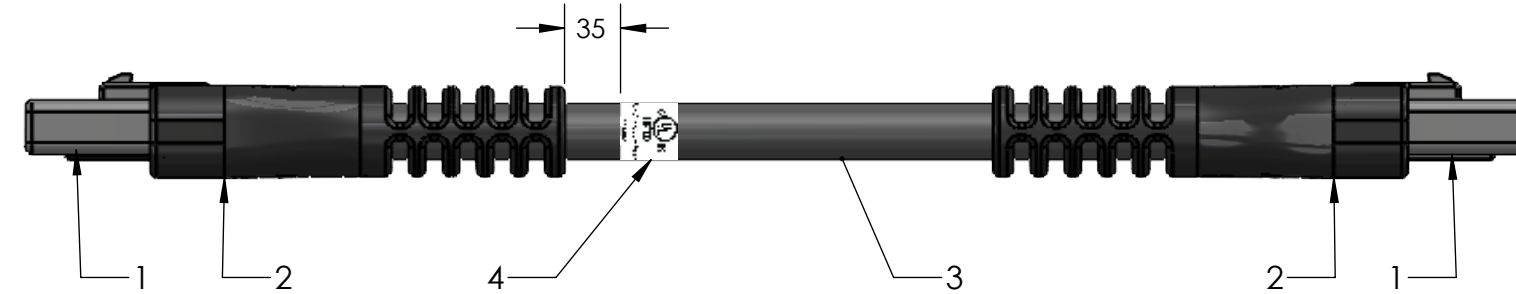
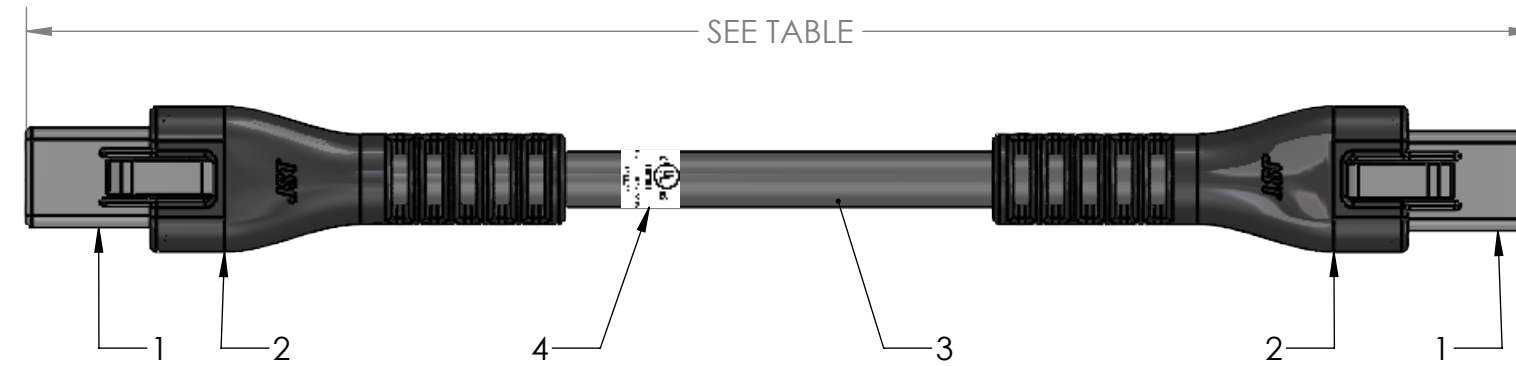
3

2

1

ITEM NO.	PART NUMBER	DESCRIPTION	QTY.
1	04R-JSWP-VKLE-S	HOUSING	2
1	SWPT-001T-P025	TERMINAL	8
2	SPECTRA-MELT SM301	BLACK LOW PRESSURE RESIN	
3	JACKETED CABLE	22AWG, 4COND, BLACK	SEE TABLE
4	CUL LISTED LABEL E543822	LABEL	1

TABLE 1	
PART NUMBER	OVERALL LENGTH
A04RJWPF04RJWPF22KJ457OM	457.2 ± 12.7
A04RJWPF04RJWPF22KJ914OM	914.2 ± 12.7
A04RJWPF04RJWPF22KJ1981OM	1981.2 ± 12.7



2	REPLACED FLAG	6/27/25	NG
1	ADDED UL LABEL	3/4/25	NG
REV	DESCRIPTION	DATE	BY

DIMENSIONS All dimensions are in MM with a tolerance of ± 5.0 unless otherwise specified.	CUSTOMER NAME	CUSTOMER PART NUMBER	
	DESCRIPTION 4C F-F JW PF OVERMOLDED ASSEMBLY (1:1)		
	DRAWN BY NICHOLAS ALEXANDER	PART NO. SEE TABLE	
	CHECKED BY	DRAWING NO. GAM-007-OM	DATE 1/23/24

4

3

2

1

# Mouser Electronics

Authorized Distributor

Click to View Pricing, Inventory, Delivery & Lifecycle Information:

[JST:](#)

[A04RJWPF04RJWPF22KJ1981OM](#) [A04RJWPF04RJWPF22KJ914OM](#) [04RJWPF04RJWPF22KJ457OM](#)