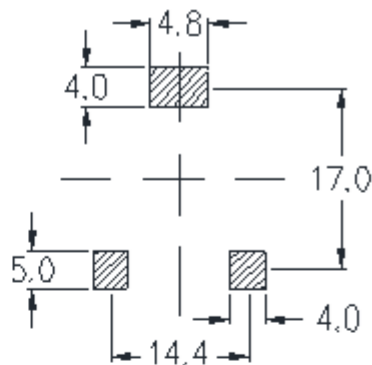
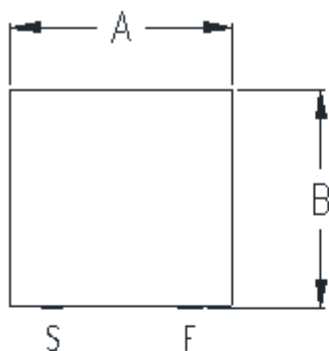


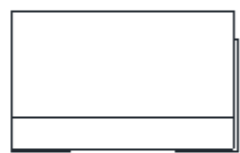


DELTA P/N : HMP211X Series

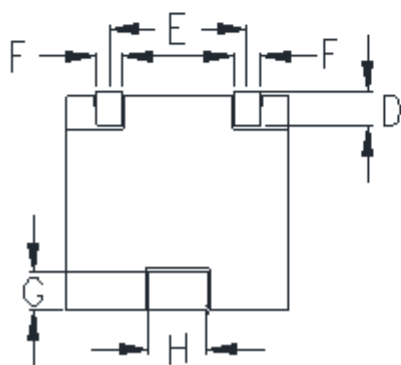
Mechanical dimensions



Suggested PWB Layout(mm)



DCR Measure Points



UNIT : mm

A = 21.7 MAX

B = 21.5 MAX

D = 2.30 MIN

E = 14.4

F = 2.4

G = 2.5

H = 3.5

Electrical Characteristics: @25°C, 100kHz, 1V

Delta P/N	L ¹ (uH)	Li (uH) MIN	DCR (mΩ) MAX	Isat ² (A)	Ir ³ (A)	C (mm) MAX
HMP2112HG-150L	15	11.2	3.7	16	21	12.5
HMP2112H-100	10	7.2	3.7	23	21	12.5
HMP2113HG-120	12	8.6	4.6	23	22	13.0

1. Tolerance of inductance : ± 10%
2. Isat is the DC current which causes the inductance drop not less than Li
3. Ir is the DC current which causes the surface temperature of the part increase approximately 45 °C.
4. Operating temperature: -40°C to 125°C (Self-temperature rise included).

Mouser Electronics

Authorized Distributor

Click to View Pricing, Inventory, Delivery & Lifecycle Information:

[Cyntec:](#)

[HMP2113HG-120](#) [HMP2112HG-150L](#) [HMP2112H-100](#)