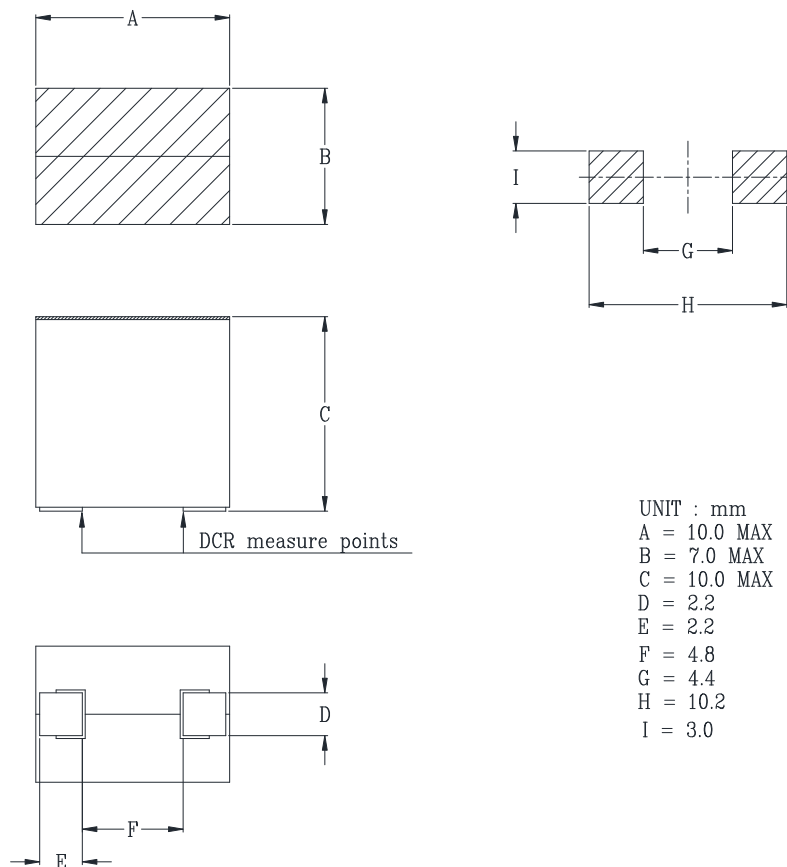




DELTA P/N : HCFE107010(F) Series

Mechanical Dimensions



Electrical Characteristics @ 25°C, 100kHz, 1V

Delta P/N	L (nH) ± 10%	Li (nH) MIN	DCR (mΩ) ± 10%	Isat ¹ (A)			Ir ² (A)
				25°C	100°C	125°C	
HCFE107010-121	120	86	0.17	114	93	85	66
HCFE107010-151	150	108		91	74	68	
HCFE107010-181	180	130		72	58	54	
HCFE107010-221	220	158		57	46	43	
HCFE107010-271	270	194		44	36	33	
HCFE107010-331	330	231		35	28	26	
HCFE107010F-121	120	86	0.17	106	93	85	66
HCFE107010F-151	150	108		85	74	68	
HCFE107010F-181	180	130		68	58	54	
HCFE107010F-221	220	158		54	46	43	
HCFE107010F-271	270	194		41	36	33	
HCFE107010F-331	330	231		33	28	26	

1. Isat is the DC current which causes the inductance drop to Li.
2. Ir is the DC current which causes the surface temperature of the part increase approximately 40 °C.
3. Operating temperature: -40°C to 125°C (Self-temperature rise included).

Mouser Electronics

Authorized Distributor

Click to View Pricing, Inventory, Delivery & Lifecycle Information:

[Cyntec:](#)

[HCFE107010-181](#) [HCFE107010-271](#) [HCFE107010-331](#) [HCFE107010-221](#) [HCFE107010-121](#) [HCFE107010-151](#)