

08020SA (3108SB)

DC Axial Fan Ball Bearing

80[□]X20^L



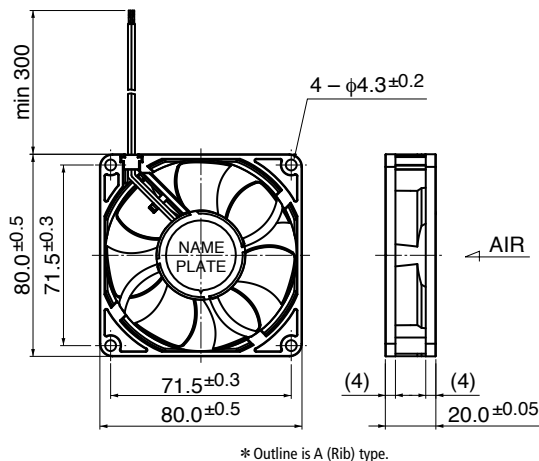
General Specifications

Motor Protection : Auto Restart / Polarity Protection
 Insulation Resistance : 10MΩ or over with a DC500V Megger

Dielectric Withstand Voltage : AC700V 1s

Allowable Ambient : -10°C ~ +70°C (Operating)
 Temperature Range : -40°C ~ +70°C (Storage)
 non-condensing environment

Outline

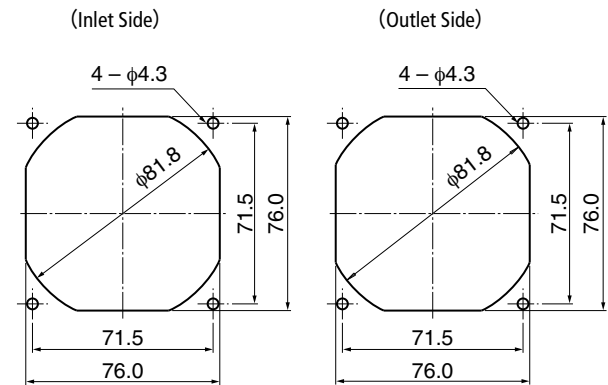


Expected Life

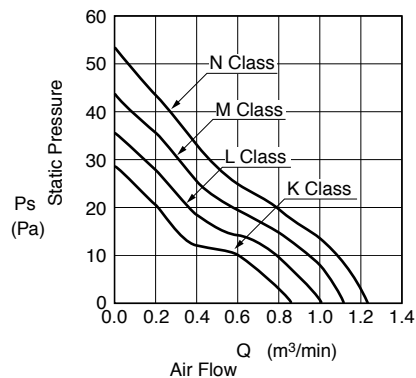
※ Failure Rate: 10% (L10 Life)

60°C 40,000 (Hours)

Panel Out-cuts



Characteristic Curves



Material

Casing : Plastic (Black) UL94V-0
 Impeller : Plastic (Black) UL94V-0
 Bearing : Ball Bearing
 Lead Wire : UL3385 AWG26 + : Red, - : Black

Specifications

Model**	Product Number	Rating Voltage (V)	Operating Voltage (V)	Current (A)*1	Input Power (W)*1	Speed (min-1)*1	Max Air Flow (m³/min)*1 (CFM)*1		Max Static Pressure (Pa) (In H2O)*1	Noise (dB)*1	Mass (g)
08020SA-12J-AA-	00	12	6.0 ~ 13.8	0.05	0.60	2600	0.78	27.6	28.3	0.11	27.0
08020SA-12K-AA-	00	12	6.0 ~ 13.8	0.07	0.84	2900	0.88	31.1	34.9	0.14	31.0
08020SA-12L-AA-	00	12	6.0 ~ 13.8	0.09	1.08	3300	1.02	36.0	43.6	0.17	34.0
08020SA-12M-AA-	00	12	6.0 ~ 13.2	0.13	1.56	3700	1.13	39.9	52.8	0.21	37.5
08020SA-24J-AA-	00	24	9.0 ~ 27.6	0.05	1.20	2600	0.78	27.6	28.3	0.11	27.0
08020SA-24K-AA-	00	24	9.0 ~ 27.6	0.06	1.44	2900	0.88	31.1	28.5	0.11	31.0
08020SA-24L-AA-	00	24	9.0 ~ 27.6	0.07	1.68	3300	1.02	36.0	35.0	0.14	34.0
08020SA-24M-AA-	00	24	9.0 ~ 27.6	0.09	2.16	3700	1.13	39.9	44.0	0.18	37.5
08020SA-24N-AA-	00	24	9.0 ~ 26.4	0.10	2.40	4000	1.20	42.4	53.0	0.21	40.5

Rotation: Clockwise as seen from the label side
 Airflow Outlet: Label side

**Flange casing available

*1: Average Values in Free Air

Mouser Electronics

Authorized Distributor

Click to View Pricing, Inventory, Delivery & Lifecycle Information:

[NMB Technologies:](#)

[08020SA-12J-AA-00](#) [08020SA-12L-AA-00](#) [08020SA-12K-AA-00](#) [08020SA-12L-AL-00](#) [08020SA-24K-AA-00](#)
[08020SA-12K-AL-00](#) [08020SA-12K-AT-00](#) [08020SA-24L-AL-00](#) [08020SA-24L-AA-00](#) [08020SA-24L-AT-00](#) [08020SA-24M-AL-00](#) [08020SA-24M-AA-00](#) [08020SA-24J-AT-00](#) [08020SA-12J-AL-00](#) [08020SA-12L-AT-00](#) [08020SA-12M-AA-00](#) [08020SA-24K-AT-00](#) [08020SA-12M-AT-00](#) [08020SA-24J-AL-00](#) [08020SA-24J-AA-00](#) [08020SA-24K-AL-00](#) [08020SA-24M-AT-00](#) [08020SA-12K-EA-00](#) [08020SA-12M-EA-00](#) [08020SA-12M-EL-00](#) [08020SA-12M-ET-00](#) [08020SA-24K-EA-00](#) [08020SA-24M-EA-00](#) [08020SS-12M-AT-00](#) [08020SS-24M-AT-00](#) [08020SA-12L-EA-00](#) [08020SA-24L-EA-00](#) [08020SA-12J-EA-00](#) [08020SA-24N-AA-00](#) [08020SA-24N-EA-00](#) [08020SA-24N-EL-00](#) [08020SA-24J-EA-00](#) [08020SA-24N-AL-00](#) [08020SA-12L-EL-00](#) [08020SA-24J-EL-00](#) [08020SA-24K-EL-00](#) [08020SA-24L-EL-00](#) [08020SA-24L-ET-00](#) [08020SA-24M-EL-00](#) [08020SA-12J-EL-00](#) [08020SA-12K-EL-00](#) [08020SA-12K-ET-00](#) [08020SS-24L-AL-00](#) [08020SS-12M-EA-00](#) [08020SA-24N-ET-00](#) [08020SS-24M-ET-00](#) [08020SS-24L-AT-00](#) [08020SS-24K-AT-00](#) [08020SS-24M-AL-00](#) [08020SS-24M-EA-00](#) [08020SS-24L-EA-00](#) [08020SS-12M-ET-00](#) [08020SS-12K-AT-00](#) [08020SS-12L-AT-00](#) [08020SS-12K-EA-00](#) [08020SS-24K-EA-00](#) [08020SS-24K-AL-00](#) [08020SS-12M-AL-00](#) [08020SS-12L-AL-00](#) [08020SS-12K-AL-00](#) [08020SA-12J-ET-00](#) [08020SS-12L-EA-00](#) [08020SA-24N-AT-00](#) [08020SA-24K-ET-00](#)