

The history of revision change for the specification

Document	REV.	Modified date	Description
CYNVC-225-052	A0	2022.05.19	New Approval
CYNVC-225-052	A1	2024.09.26	1. May, 2022 -> Sep., 2024 2. Add notice 'Shielded construction' in Features 3. Reflow Soldering : 217°C -> $\geq 217^{\circ}\text{C}$

Power Choke Coil VCTB16081T MS6 type

AEC-Q200

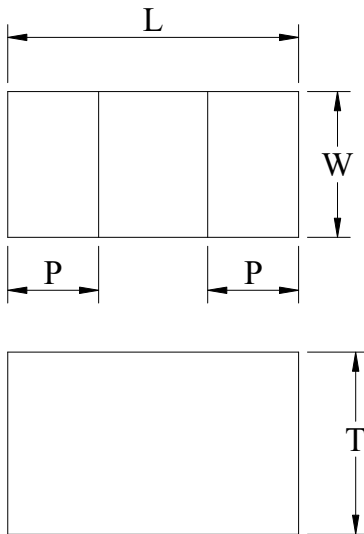
Features

- High performance (Isat) realized by metal dust core
- Low profile : 1.6mm x 0.8mm x 1.0mm
- Low loss realized with low DCR
- Compliance with RoHS and Halogen Free
- Shielded construction
- AEC-Q200 qualified

Application

Automotive applications

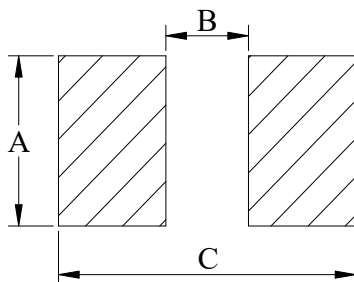
Outline Dimensions



Code	Dimensions (mm)
L	1.6 ± 0.2
W	0.8 ± 0.2
T	1.0 Max.
P	0.5 ± 0.2

Recommend Land Pattern Dimensions

The customer shall determine the land dimensions shown below after confirming and safety.

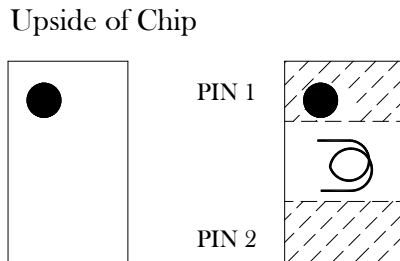


A	1.0
B	0.5
C	1.8

Unit : mm

■ Marking

The point on the top surface represents winding direction of choke.



Coil clockwise around

■ Specifications

Part Number	L0 ◇ Inductance (μH) @ (0A)	R _{dc} (mΩ) ◇		Heat Rating Current DC Amps. Idc (A)		Saturation Current DC Amps. Isat (A)		Rated Voltage (V)
		Typical	Maximum	Typical	Maximum	Typical	Maximum	Maximum
VCTB16081T-R47MS6	0.47	56.0	68.0	3.3	3.0	3.3	3.0	20

◇ : Significant Characteristic

Note 1. : Inductance tolerance $\pm 20\%$

Note 2. : All test data is referenced to 25°C ambient.

Note 3. : Test condition; 1MHz, 1.0Vrms

Note 4. : Idc : DC current (A) that will cause an approximate ΔT of 40°C (Multi-Layer PCB)

Note 5. : Isat : DC current (A) that will cause L0 to drop approximately 30%

Note 6. : Operating temperature range -55°C to +165°C

Note 7. : The part temperature (ambient + temp rise) should not exceed 165°C under the worst case operating conditions. Circuit design, component placement, PCB trace size and thickness, airflow and other cooling provision all affect the part temperature. Part temperature should be verified in the end application.

Note 8. : The rated current as listed is either the saturation current or the heating current depending on which value is lower.

Note 9. : Cleaning process note

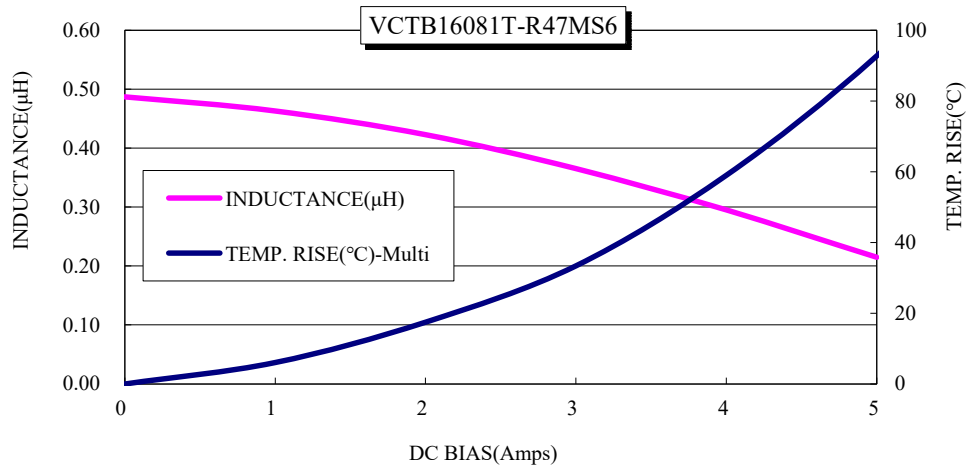
(a) If this power choke is dipped in the cleaning agent, such as toluene, xylene, ketone, and ether system, there is a possibility that the performance decreases greatly.

(b) The high power ultrasonic washing may damage the choke body.

(c) Please contact us if you need the cleaning via the above agents or ultrasonic washing.

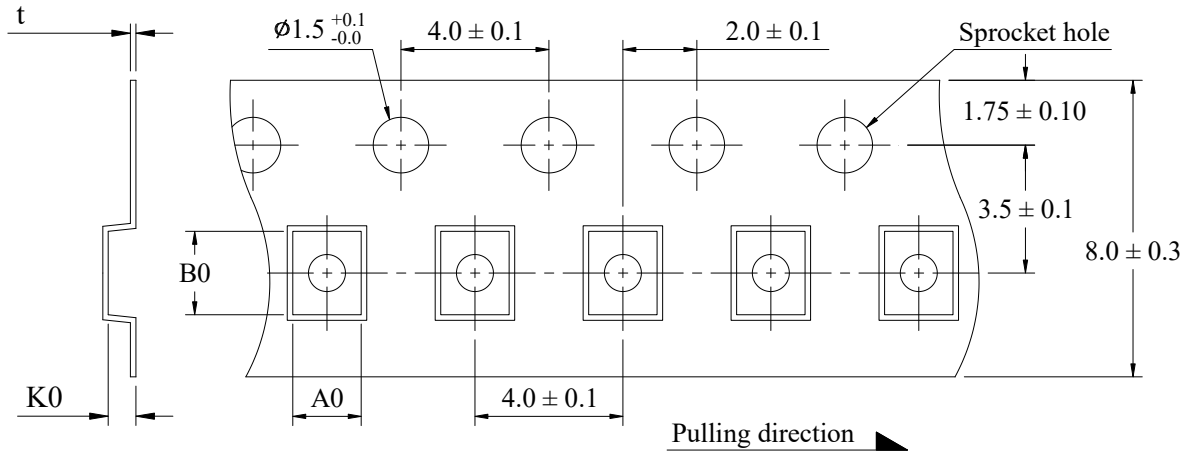
Note 10. : If you require another part number, please contact with us.

■ Current Characteristic



■ Packaging

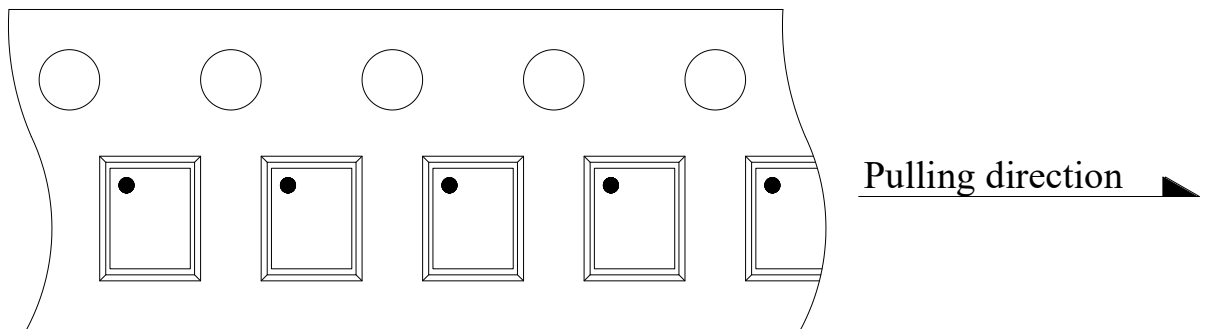
(1) Tape packaging dimensions



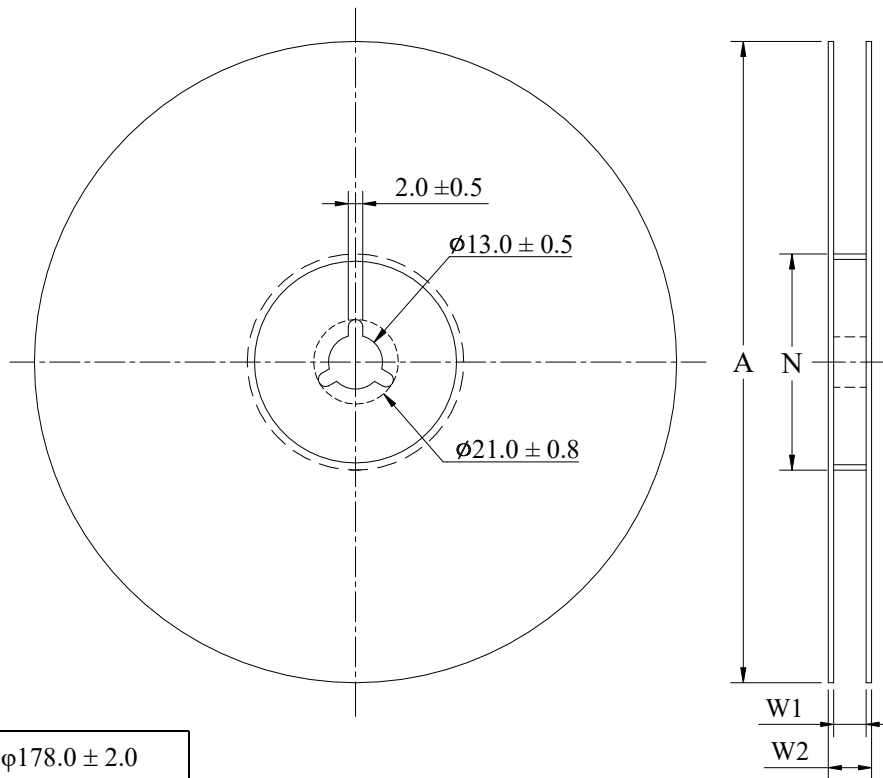
Dimensions Code (mm)				Units/Reel
A0	B0	K0	t	
1.15 ± 0.10	1.95 ± 0.10	1.15 ± 0.10	0.22 ± 0.05	3,000

(2) Tape direction

The direction shall be seen from the top cover tape side.



(3) Reel dimensions



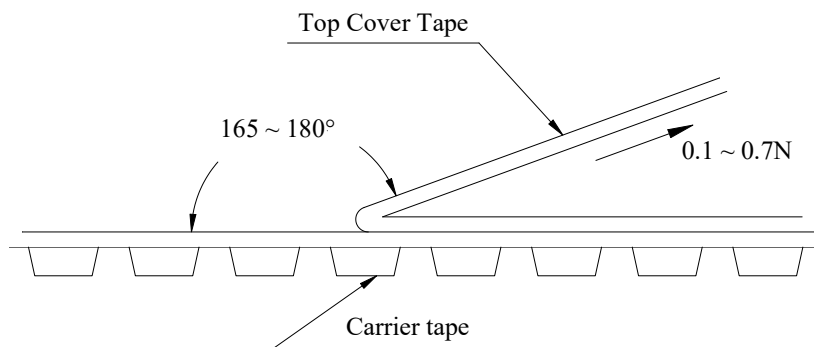
A	$\phi 178.0 \pm 2.0$
N	$\phi 60.0 \pm 2.0$
W1	9.0 ± 0.3
W2	11.4 ± 1.0

Unit : mm

(4) Peel force of top cover tape

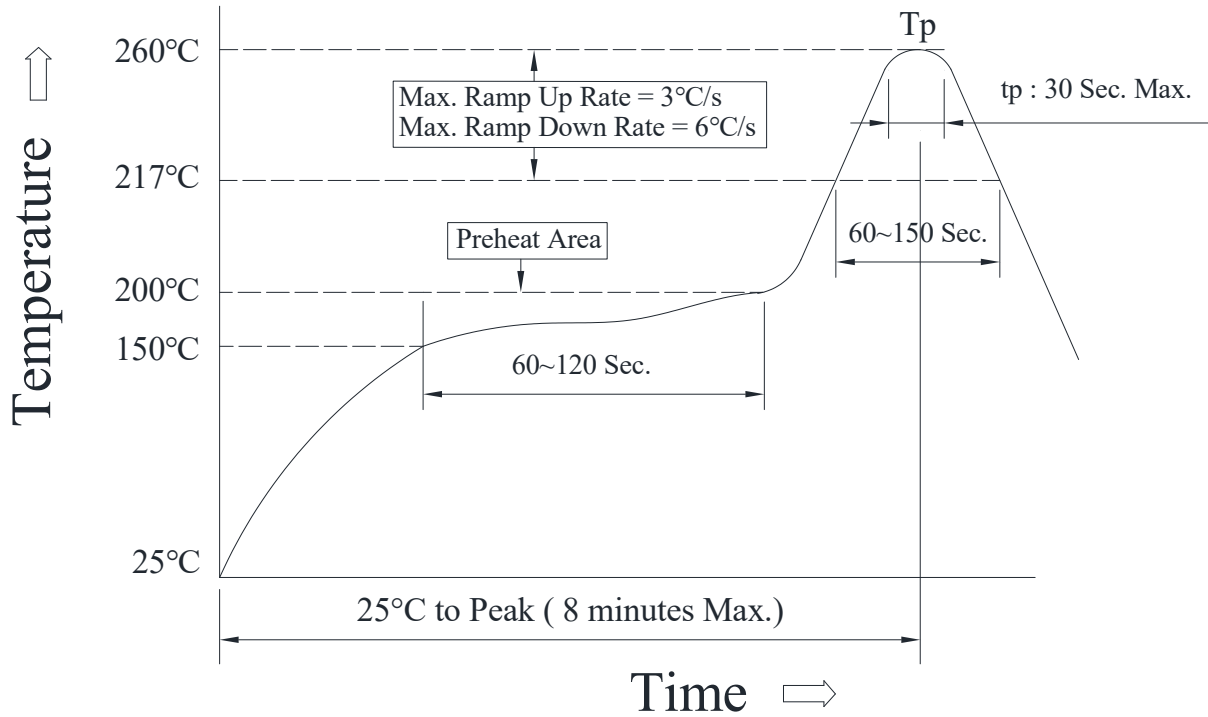
The peel speed shall be about 300 mm/minute.

The peel force of top cover tape shall be between 0.1 to 0.7N.



■ Reflow Profile

Power Choke Coil Type



(1) Reflow soldering method :

Reflow Soldering	Tp : 255~260°C	Max. 30 seconds (tp)
	≥ 217°C	60~150 seconds
Preheat	150~200°C	60~120 seconds
Time 25°C to peak temperature	8 minutes Max.	

(2) Soldering iron method : 350 ± 5°C, 3 seconds Max.

Mouser Electronics

Authorized Distributor

Click to View Pricing, Inventory, Delivery & Lifecycle Information:

[Cyntec:](#)

[VCTB16081T-R47MS6](#)