

04010SA

DC Axial Fan Ball Bearing

40[□]X10^L



General Specifications

Motor Protection Auto Restart / Polarity Protection
Insulation Resistance 10M Ω or over with a DC500V Megger

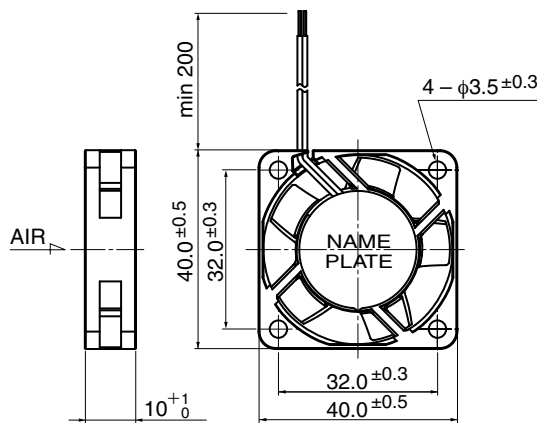
Dielectric Withstand Voltage : AC700V 1s or AC500V 1min

Allowable Ambient : - 10 $^{\circ}$ C ~ +70 $^{\circ}$ C (Operating)
Temperature Range - 40 $^{\circ}$ C ~ +70 $^{\circ}$ C (Storage)
non-condensing environment

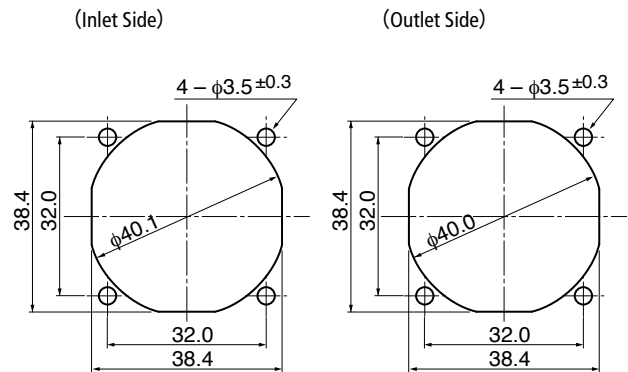
Expected Life ※ Failure Rate: 10% (L10 Life)

40 $^{\circ}$ C 50,000 (Hours)

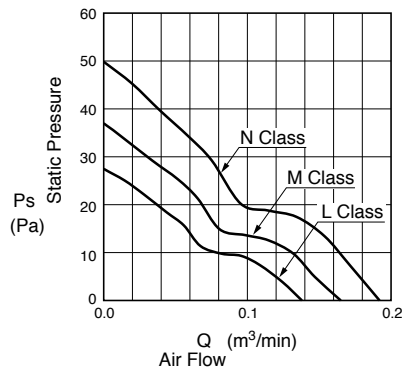
Outline



Panel Out-cuts



Characteristic Curves



Material

Casing : Plastic (Black) UL94V-0
Impeller : Plastic (Black) UL94V-0
Bearing : Ball Bearing
Lead Wire : UL1061 AWG26 + : Red, - : Black

Specifications

Model	Rating Voltage	Operating Voltage	Current (A)*1	Input Power (W)*1	Speed (min ⁻¹)*1	Max. Air Flow		Max. Static Pressure		Noise (dB)*1	Mass (g)
	(V)	(V)				(m ³ /min)*1	(CFM)*1	(Pa)*1	(In H ₂ O)*1		
04010SA-05L-AAD-0	5	4.5 ~ 5.5	0.08	0.40	5500	0.14	4.9	27.5	0.11	21.5	16
04010SA-05M-AAD-0			0.14	0.70	6500	0.16	5.6	37.0	0.15	24.5	
04010SA-05N-AAD-0			0.18	0.90	7500	0.19	6.7	50.0	0.20	29.5	
04010SA-12L-AAD-0	12	10.2 ~ 13.8	0.040	0.48	5500	0.14	4.9	27.5	0.11	21.5	
04010SA-12M-AAD-0			0.050	0.60	6500	0.16	5.6	37.0	0.15	24.5	
04010SA-12N-AAD-0			0.060	0.72	7500	0.19	6.7	50.0	0.20	29.5	
04010SA-24L-AAD-0	24	20.0 ~ 26.4	0.025	0.60	5500	0.14	4.9	27.5	0.11	21.5	
04010SA-24M-AAD-0			0.030	0.72	6500	0.16	5.6	37.0	0.15	24.5	
04010SA-24N-AAD-0			0.040	0.96	7500	0.19	6.7	50.0	0.20	29.5	

Rotation: Clockwise as seen from the label side
Airflow Outlet: Label side

*1: Average Values in Free Air

Mouser Electronics

Authorized Distributor

Click to View Pricing, Inventory, Delivery & Lifecycle Information:

[NMB Technologies:](#)

[04010SA-05M-AM-D0](#) [04010SA-12M-AM-D0](#) [04010SA-24L-AA-D0](#) [04010SA-24L-AAD-0](#)