

# Customer Information Sheet

IF IN DOUBT - ASK

©

NOT TO SCALE

THIRD ANGLE PROJECTION

ALL DIMENSIONS IN mm

TABLE 1: CONFIGURATIONS & BILL OF MATERIALS

ORDER CODE CONFIGURATIONS										BOM ITEM No.				
										1	2	3	4	
G125-XXXXXXXX-XXXXL										CONNECTOR (SEE ORDER CODE FOR TOTAL No. OF CONTACTS)	PTFE WIRE (SEE C049XX FOR SPEC.)	CONNECTOR CONTACT (SEE ORDER CODE FOR QTY.)	HEATSHRINK	
G125	-		1	05							G125-224XX9600 G125-224XX96F1 G125-224XX96F2 G125-224XX96F3 G125-224XX96F5  G125-324XX9600 G125-324XX96M1 G125-324XX96M2 G125-324XX96M3 G125-324XX96M5	STANDARD WHITE WIRE  MULTI-COLOURED SEE TABLE 2  TWISTED PAIRS  2TPI: 26AWG & 28AWG: WHITE & RED  3TPI: 26AWG & 28AWG: WHITE & GREEN  SEE TABLE 3 ON SHEET 8 FOR TWISTED PAIR WIRE COLOUR CONFIGURATION	FEMALE SIGNAL  26AWG: G125-0010005  28AWG: G125-0020005  MALE SIGNAL  26AWG: G125-1010005  28AWG: G125-1020005	FOR TWISTED PAIR CABLE ASSEMBLIES ONLY  SEE C049XX FOR SPEC. (LATEST ISSUE)
		2	68		XXXX	L	X	X						

TABLE 2: MULTI-COLOURED WIRE (FOR '68' OPTION ONLY)

CONTACT No.	WIRE COLOUR
1	BLACK
2	BROWN
3	RED
4	ORANGE
5	YELLOW
6	GREEN
7	BLUE
8	VIOLET
9	GREY
10	WHITE

WIRE COLOURS REPEAT IN ABOVE ORDER FOR CONNECTOR ASSEMBLIES OVER 10 CONTACTS

NOTES:

- FOR COMPLETE SPECIFICATION, INCLUDING WIRE TYPE AND GAUGE SEE COMPONENT SPECIFICATIONS C125XX & C049XX (LATEST ISSUES).
- FOR POTTING COMPOUND AND WIRE TYPE SEE C049XX COMPONENT SPECIFICATION.
- SEE SHEET 7 FOR ASSEMBLIES WITH STANDARD WIRING CONFIGURATIONS.
- SEE SHEET 8 FOR ASSEMBLIES WITH TWISTED PAIR WIRING CONFIGURATIONS.
- SEE SHEET 9 FOR HARDWARE FIXING INFORMATION.
- FOR ALL HOUSING DIMENSIONS, SEE RESPECTIVE DRAWINGS FOR BOM ITEM 1.
- CABLE ASSEMBLIES ARE BULK PACKED IN BAGS.
- CUSTOM LENGTH CABLE ASSEMBLIES CAN BE PRODUCED FROM 60mm TO 9999mm.
- "FD"/"MD" AND "68" COMBINATION (TWISTED PAIRS AND MULTI-COLOURED SIGNAL WIRE) NOT AVAILABLE TO ORDER.
- FOR TWISTED PAIR CABLES ASSEMBLIES, USE '05' (WHITE) WIRE COLOUR IN ORDER CODE.
- AN ASSEMBLY WITH NO STRIPPED CABLE WITH HAVE THE LAST TWO CHARACTERS OF THE PART NUMBER BLANK (I.E. G125-XXXXXXXX-XXXXL).
- CABLE LENGTH LESS THAN 60mm IS POSSIBLE, BUT MUST BE ENQUIRED.

ORDER CODE:

G125-XXXXXXXX-XXXXLXX

CONNECTOR:  
F = FEMALE  
M = MALE

WIRING STYLE:  
C = STANDARD WIRE  
D = TWISTED PAIR

WIRE GAUGE:  
1 = 26AWG  
2 = 28AWG

TOTAL No. OF CONTACTS:  
06, 10, 12, 16,  
20, 26, 34, 50

WIRING:  
05 = WHITE  
68 = MULTI-COLOURED  
98 = BLACK  
99 = RED

LENGTH OF SIGNAL  
CABLE PRE-STRIP (DIM 'B'):  
X = 1-9mm

WIRE END:  
BLANK = CUT END (SEE NOTE 11)  
A = PRE-STRIPPED (IS-37 & IS-44)  
B = PRE-STRIPPED CUSTOM LENGTH

DIM 'A' LENGTH:  
0060 = 60mm MIN (SEE NOTE 12)  
9999 = 9999mm MAX

CONNECTOR FIXING STYLE:  
FO/F1/F2/F3/F5  
MO/M1/M2/M3/M5

RTP	2	12.06.24	33917
NAME	ISS.	DATE	CN/CO
APPROVED:	R.PORTLOCK		
CHECKED:	F.CHRISPINE		
DRAWN:	R.PORTLOCK		
ASSEMBLY DRG:			

**HARWIN**

www.harwin.com

TOLERANCES  
X. = ±1mm  
X.X = ±0.50mm  
X.XX = ±0.20mm  
X.XXX = ±0.01mm  
ANGLES = ±5°  
UNLESS STATED

THIS DRAWING AND ANY INFORMATION OR DESCRIPTIVE MATTER SET OUT HEREON ARE CONFIDENTIAL AND COPYRIGHT PROPERTY OF THE HARWIN GROUP AND MUST NOT BE DISCLOSED, LOANED, COPIED OR USED FOR MANUFACTURING, TENDERING OR FOR ANY OTHER PURPOSE WITHOUT THEIR WRITTEN PERMISSION.

MATERIAL:  
SEE ABOVE

TITLE:  
GECKO SL  
CABLE ASSEMBLY

DRAWING NUMBER:  
G125-XXXXXXXX-XXXXLXX

SHT  
6 OF 9

# Customer Information Sheet

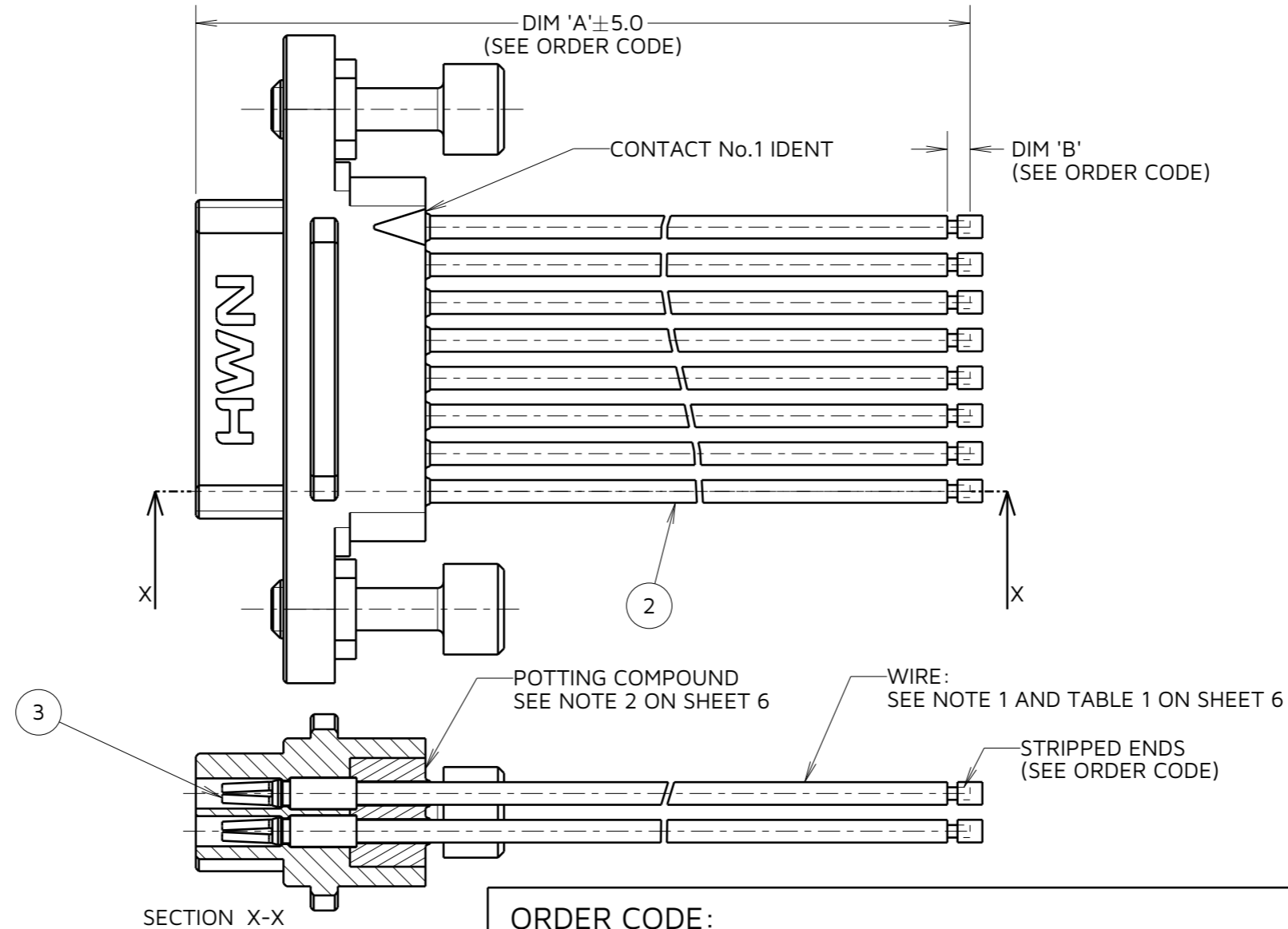
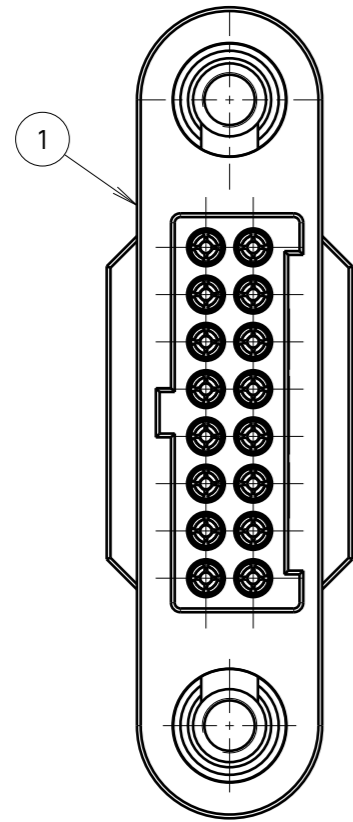
IF IN DOUBT - ASK

©

NOT TO SCALE

THIRD ANGLE PROJECTION

ALL DIMENSIONS IN mm



EXAMPLE SHOWN: FEMALE  
STANDARD WIRING  
G125-FC11605F1-0150LB1

## ORDER CODE:

G125-XXXXXXXXXX-XXXXLXX

CONNECTOR:  
F = FEMALE  
M = MALE

WIRING STYLE:  
C = STANDARD WIRE  
D = TWISTED PAIR

WIRE GAUGE:  
1 = 26AWG  
2 = 28AWG

TOTAL No. OF CONTACTS:  
06, 10, 12, 16,  
20, 26, 34, 50

WIRING:  
05 = WHITE  
68 = MULTI-COLOURED  
98 = BLACK  
99 = RED

LENGTH OF SIGNAL  
CABLE PRE-STRIP (DIM 'B'):  
X = 1-9mm

WIRE END:  
BLANK = CUT END (SEE NOTE 11)  
A = PRE-STRIPPED (IS-37 & IS-44)  
B = PRE-STRIPPED CUSTOM LENGTH

DIM 'A' LENGTH:  
0060 = 60mm MIN (SEE NOTE 12)  
9999 = 9999mm MAX

CONNECTOR FIXING STYLE:  
FO/F1/F2/F3/F5  
MO/M1/M2/M3/M5

## NOTES:

- FOR POSSIBLE COMBINATIONS, SEE BOM TABLE ON SHEET 6.
- ASSEMBLY G125-FC11605F1-0150LB1 SHOWN FOR ILLUSTRATIVE PURPOSES ONLY. SEE ORDER CODE FOR PART NUMBER.

**HARWIN**

www.harwin.com

## TOLERANCES

X. = ±1mm  
X.X = ±0.50mm  
X.XX = ±0.20mm  
X.XXX = ±0.01mm  
ANGLES = ±5°  
UNLESS STATED

THIS DRAWING AND ANY INFORMATION OR DESCRIPTIVE MATTER SET OUT HEREON ARE CONFIDENTIAL AND COPYRIGHT PROPERTY OF THE HARWIN GROUP AND MUST NOT BE DISCLOSED, LOANED, COPIED OR USED FOR MANUFACTURING, TENDERING OR FOR ANY OTHER PURPOSE WITHOUT THEIR WRITTEN PERMISSION.

## MATERIAL:

SEE SHEET 6

## TITLE:

GECKO SL  
CABLE ASSEMBLY

## DRAWING NUMBER:

G125-XXXXXXXXXX-XXXXLXX

SHT  
7  
OF  
9

RTP	2	12.06.24	33917
NAME	ISS.	DATE	CN/CO
APPROVED:	R.PORTLOCK		
CHECKED:	F.CHRISPINE		
DRAWN:	R.PORTLOCK		
ASSEMBLY DRG:			

# Customer Information Sheet

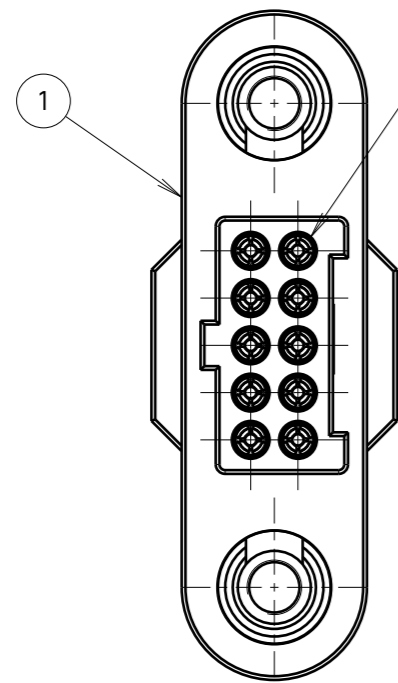
IF IN DOUBT - ASK

©

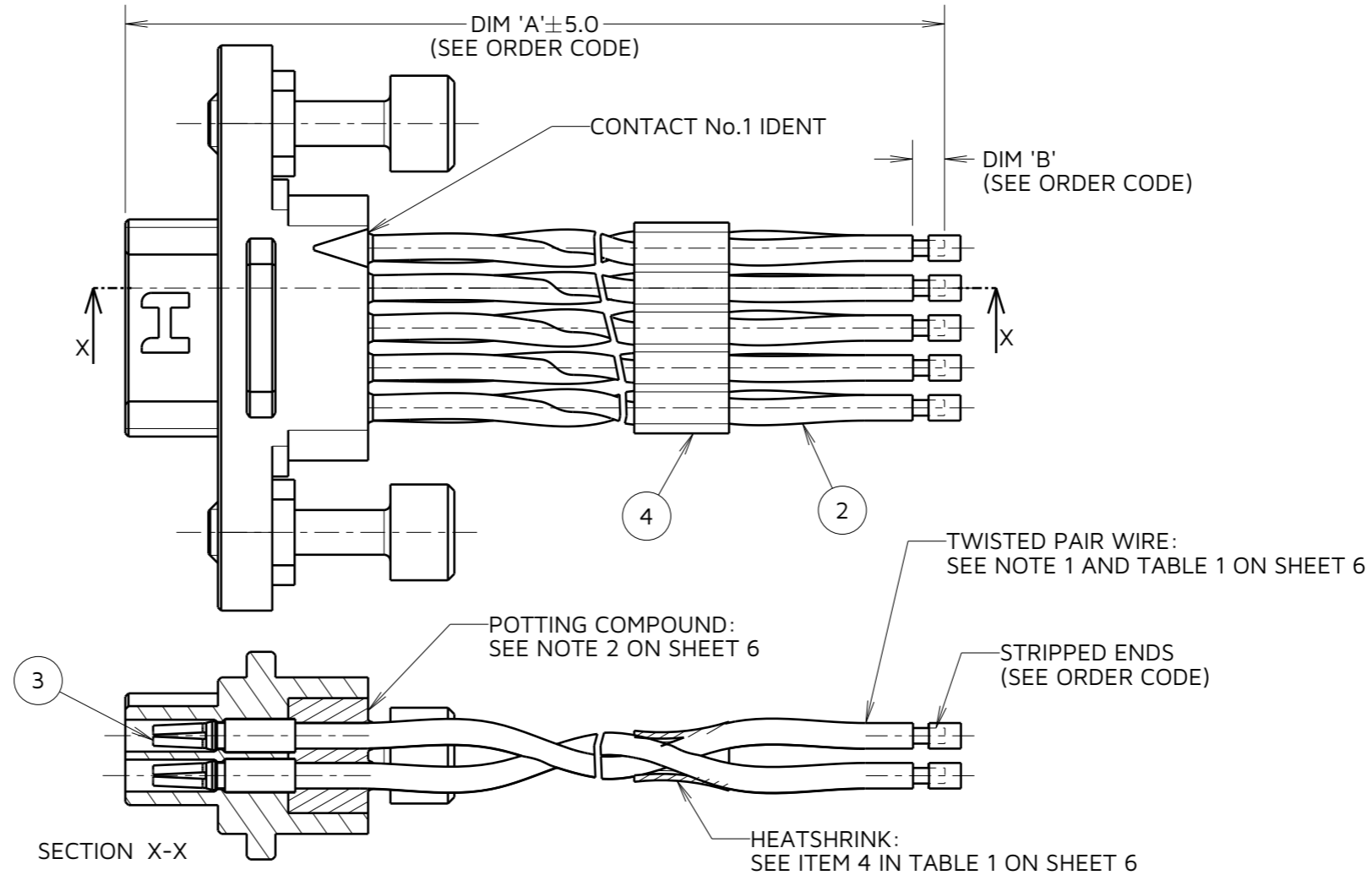
NOT TO SCALE

THIRD ANGLE PROJECTION

ALL DIMENSIONS IN mm



CONTACT No.1



EXAMPLE SHOWN: FEMALE  
TWISTED PAIR WIRING  
G125-FD11005F1-0150LB1

TWISTED PAIR No.	CONNECTOR PIN No.	TURNS PER INCH	WIRE COLOUR
1	1	3	WHITE & GREEN
	5		
2	2	2	WHITE & RED
	6		
3	3	3	WHITE & GREEN
	7		
4	4	2	WHITE & RED
	8		

- NOTES:  
 15. FOR POSSIBLE COMBINATIONS, SEE BOM TABLE ON SHEET 6.  
 16. ASSEMBLY G125-FC11005F1-0150LB1 SHOWN FOR ILLUSTRATIVE PURPOSES ONLY. SEE ORDER CODE FOR PART NUMBER.  
 17. WIRE COLOUR IS CONSTRAINED BY TWISTED PAIRS. SEE TABLE 3 FOR COLOUR.

ORDER CODE:

G125-XXXXXXXX-XXXXLXX

CONNECTOR:  
 F = FEMALE  
 M = MALE

WIRING STYLE:  
 C = STANDARD WIRE  
 D = TWISTED PAIR

WIRE GAUGE:  
 1 = 26AWG  
 2 = 28AWG

TOTAL No. OF CONTACTS:  
 06, 10, 12, 16,  
 20, 26, 34, 50

WIRING:  
 05 = WHITE  
 68 = MULTI-COLOURED  
 98 = BLACK  
 99 = RED

LENGTH OF SIGNAL CABLE PRE-STRIP (DIM 'B'):  
 X = 1-9mm

WIRE END:  
 BLANK = CUT END (SEE NOTE 11)  
 A = PRE-STRIPPED (IS-37 & IS-44)  
 B = PRE-STRIPPED CUSTOM LENGTH

DIM 'A' LENGTH:  
 0060 = 60mm MIN (SEE NOTE 12)  
 9999 = 9999mm MAX

CONNECTOR FIXING STYLE:  
 FO/F1/F2/F3/F5  
 MO/M1/M2/M3/M5

FOR CONNECTORS WITH MORE THAN 8 SIGNAL CONTACTS, CONTINUE TWIST & CABLE PIN OUT CONVENTION IN THE SAME PATTERN.  
 (I.E. TWISTED PAIR BETWEEN CONTACT X & CONTACT X)  
 SEE BILL OF MATERIALS TABLE ON SHEET 6 FOR TWISTED PAIR PART NUMBERS.

HARWIN

www.harwin.com

TOLERANCES  
 X. = ±1mm  
 X.X = ±0.50mm  
 X.XX = ±0.20mm  
 X.XXX = ±0.01mm  
 ANGLES = ±5°  
 UNLESS STATED

THIS DRAWING AND ANY INFORMATION OR DESCRIPTIVE MATTER SET OUT HEREON ARE CONFIDENTIAL AND COPYRIGHT PROPERTY OF THE HARWIN GROUP AND MUST NOT BE DISCLOSED, LOANED, COPIED OR USED FOR MANUFACTURING, TENDERING OR FOR ANY OTHER PURPOSE WITHOUT THEIR WRITTEN PERMISSION.

MATERIAL:  
 SEE SHEET 6

TITLE:  
 GECKO SL  
 CABLE ASSEMBLY

DRAWING NUMBER:  
 G125-XXXXXXXX-XXXXLXX

SHT  
 8  
 OF  
 9

RTP	2	12.06.24	33917
NAME	ISS.	DATE	CN/CO
APPROVED:	R.PORTLOCK		
CHECKED:	F.CHRISPINE		
DRAWN:	R.PORTLOCK		
ASSEMBLY DRG:			

# Customer Information Sheet

IF IN DOUBT - ASK

©

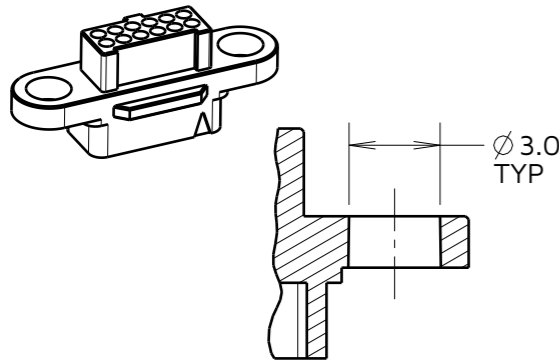
NOT TO SCALE

THIRD ANGLE PROJECTION

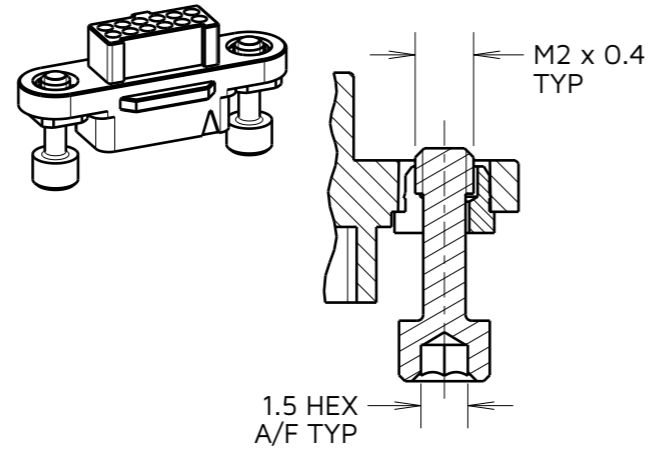
ALL DIMENSIONS IN mm

## FIXING STYLES

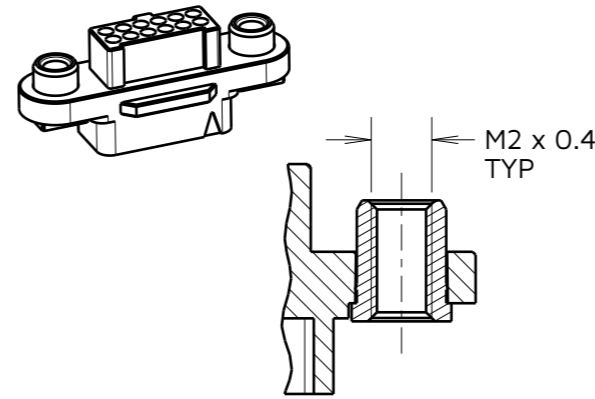
**F0**  
EXAMPLE: G125-224129600



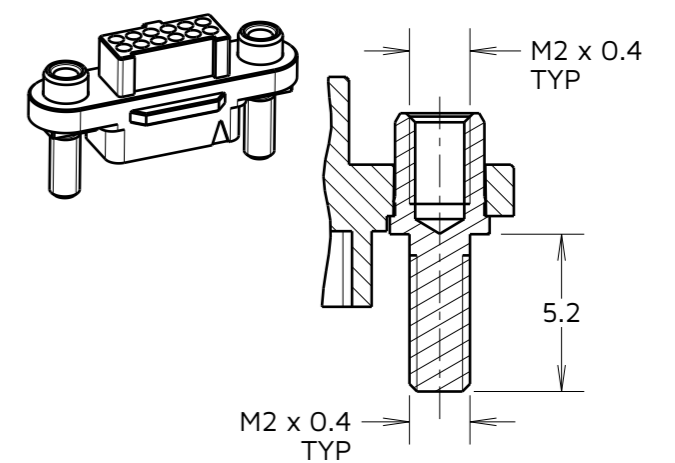
**F1**  
EXAMPLE: G125-2241296F1



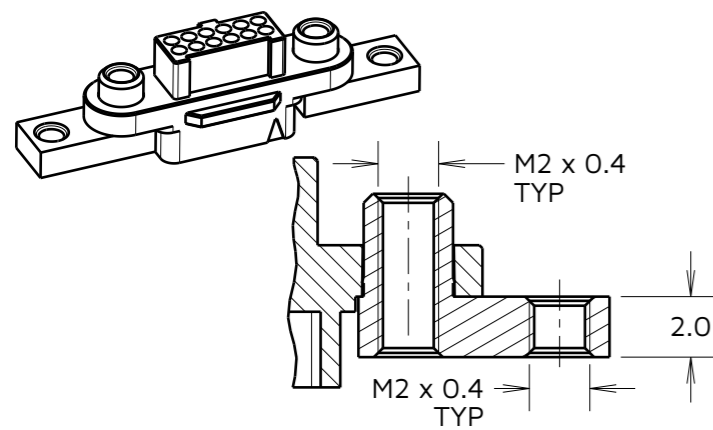
**F2**  
EXAMPLE: G125-2241296F2



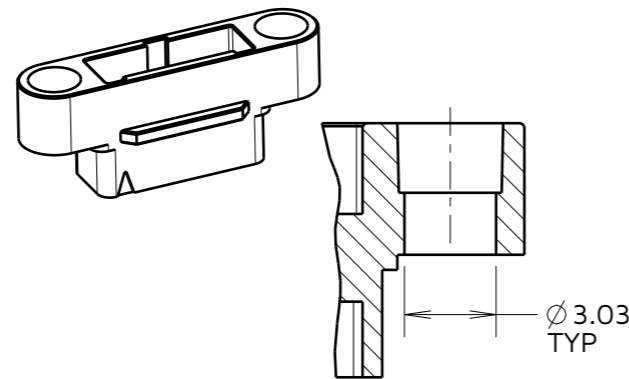
**F3**  
EXAMPLE: G125-2241296F3



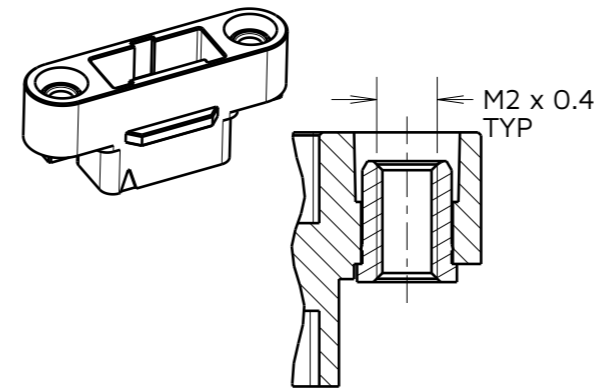
**F5**  
EXAMPLE: G125-2241296F5



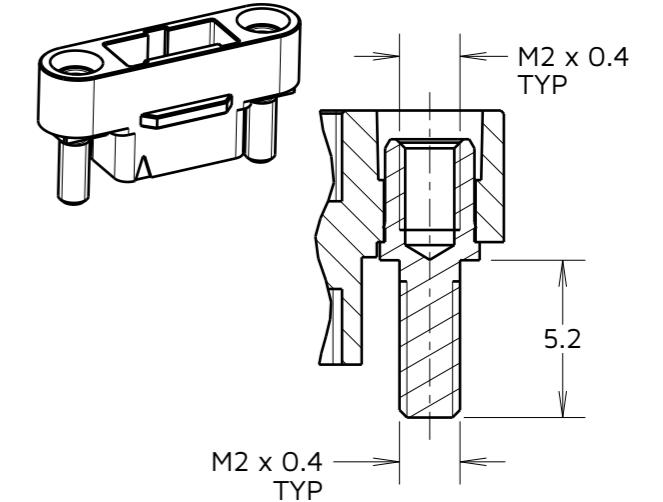
**M0**  
EXAMPLE: G125-324129600



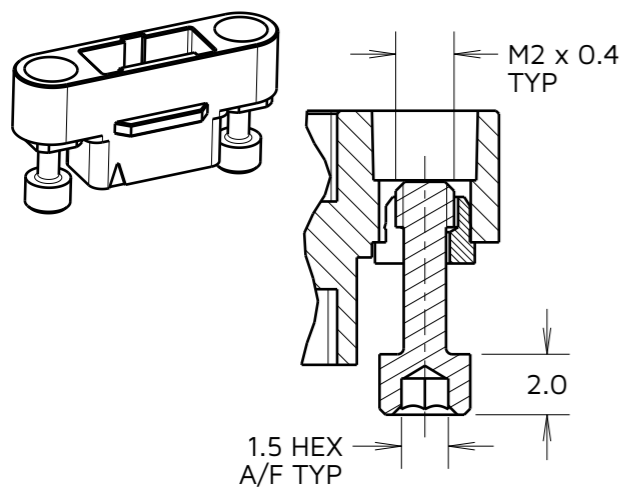
**M1**  
EXAMPLE: G125-3241296M1



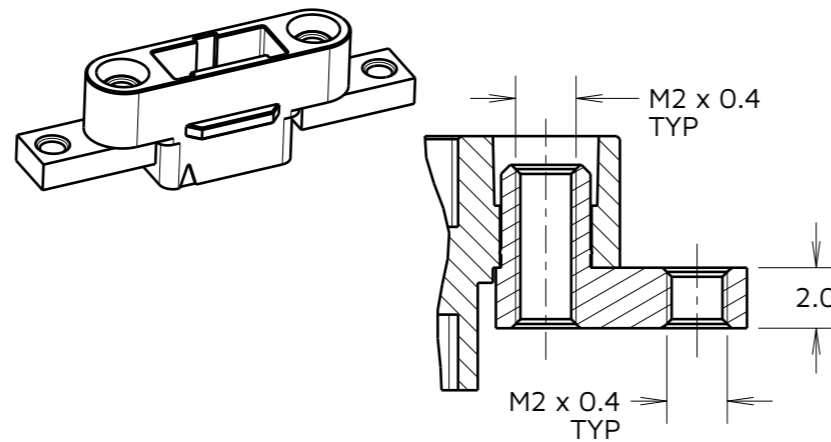
**M2**  
EXAMPLE: G125-3241296M2



**M3**  
EXAMPLE: G125-3241296M3



**M5**  
EXAMPLE: G125-3241296M5



NOTES:  
18. SEE BILL OF MATERIALS TABLE ON SHEET 6 AND ORDER CODE FOR FIXING IDENTIFICATION.

RTP	2	12.06.24	33917
NAME	ISS.	DATE	CN/CO
APPROVED:		R.PORTLOCK	
CHECKED:		F.CHRISPINE	
DRAWN:		R.PORTLOCK	
ASSEMBLY DRG:			

**HARWIN**

www.harwin.com

TOLERANCES  
X. = ±1mm  
X.X = ±0.50mm  
X.XX = ±0.20mm  
X.XXX = ±0.01mm  
ANGLES = ±5°  
UNLESS STATED

THIS DRAWING AND ANY INFORMATION OR DESCRIPTIVE MATTER SET OUT HEREON ARE CONFIDENTIAL AND COPYRIGHT PROPERTY OF THE HARWIN GROUP AND MUST NOT BE DISCLOSED, LOANED, COPIED OR USED FOR MANUFACTURING, TENDERING OR FOR ANY OTHER PURPOSE WITHOUT THEIR WRITTEN PERMISSION.

MATERIAL:

SEE SHEET 6

TITLE:

GECKO SL CABLE  
ASSEMBLY - SINGLE-ENDED

DRAWING NUMBER:

G125-XXXXXXXX-XXXXLXX

SHT  
9  
OF  
9

# Mouser Electronics

Authorized Distributor

Click to View Pricing, Inventory, Delivery & Lifecycle Information:

[Harwin:](#)

[G125-FC10668F1-0150L](#) [G125-MC13405M2-0060F1](#) [G125-FC12005F1-0600L](#) [G125-MC12005M3-0450L](#)