

AE ADVANCED BUS MODULE

BUS COMMUNICATION MODULE FOR THYRO-XD AND IMPAC PYROMETER WITH COMMUNICATION INTERFACE



Modular, easy to use bus field communication module for cost optimized SCR Power Controller connections and Impac Pyrometers with communication interface

PRODUCT HIGHLIGHTS

- One Advanced Bus Module for up to 8 AE SCR Power Controller of Thyro-XD series or Impac Pyrometers or in combination of both
- Advanced Bus Module for use of Anybus Interface of different available common bus field communications
- Advanced Bus Module provides access to all connected SCR Power Controller for full parameter access with Thyro Tool Pro Software via integrated USB interface
- Available for optional grid load optimization with dASM for up to 32 power controller in full wave mode
- Smallest footprint for optimized design with Advanced Energy Power Controller

TYPICAL APPLICATIONS

- Transformer loads, resistive loads, and heating elements in electric furnaces used for glass, metals, and ceramics manufacture
- Heat tracing for piping and process elements in chemical, petro-chemical, and oil processing
- Extruder and plastic press heating, IR drying, and automotive applications

AT A GLANCE

Types

Available with or with optional dASM functionality

Mounting on plate or hat rail system

Module Size: (H x W x D [mm])
135 (5,32") x 35,5 (1,39") x 176.1 (6,95")

Power Supply

External 24 VDC / 6.0 A when applying 8 Pyrometers

Communications

Ethernet/IP[®], EtherCAT[®]
PROFIBUS[®], PROFINET[®]
Modbus TCP/IP[®]

Indications

Front LED status indicators
Fault LED free configurable via Thyro Tool Pro Software

Advanced Bus Module

PRODUCT SPECIFICATIONS

Advanced Bus Module

Installation Type	Snap on type for hat rail assembly
-------------------	------------------------------------

ELECTRICAL SPECIFICATIONS

Advanced Bus Module

Advanced Bus Modul	24 VDC, min 1.2A max 6.0 A
--------------------	----------------------------

Environmental

Ambient Temperature	Up to 40°C (104°F)
Storage Temperature	-25 to +55°C (-13 to 131°F)
Humidity Class	DIN EN 50178 Tab. 7
Site Altitude	Up to 1000 m (3281 ft) above sea level at nominal load; above 1000 m (3281 ft), on request

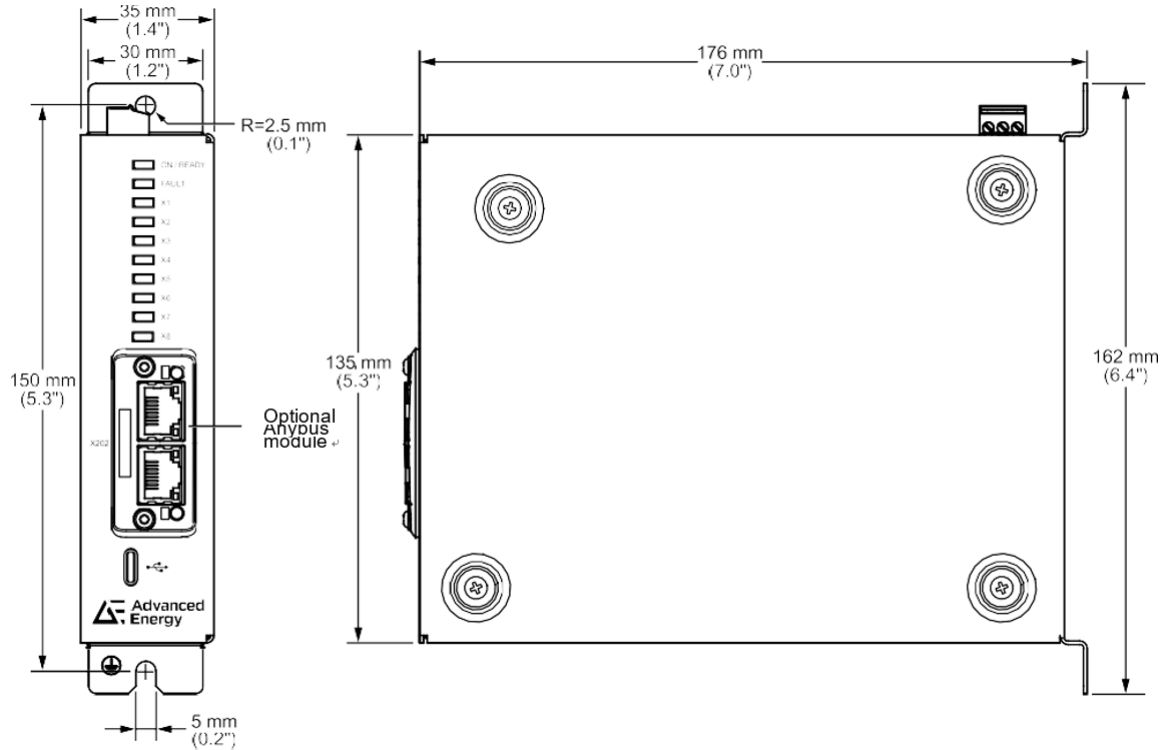
Regulatory

Certifications	CE marked for EU LV Directive 2014/35/EU and 2004/108/EC
----------------	--

MECHANICAL SPECIFICATIONS

Module Size: (H x W x D [mm]) 135 (5,32") x 35,5 (1,39") x 176,1 (6,95") 58 mm

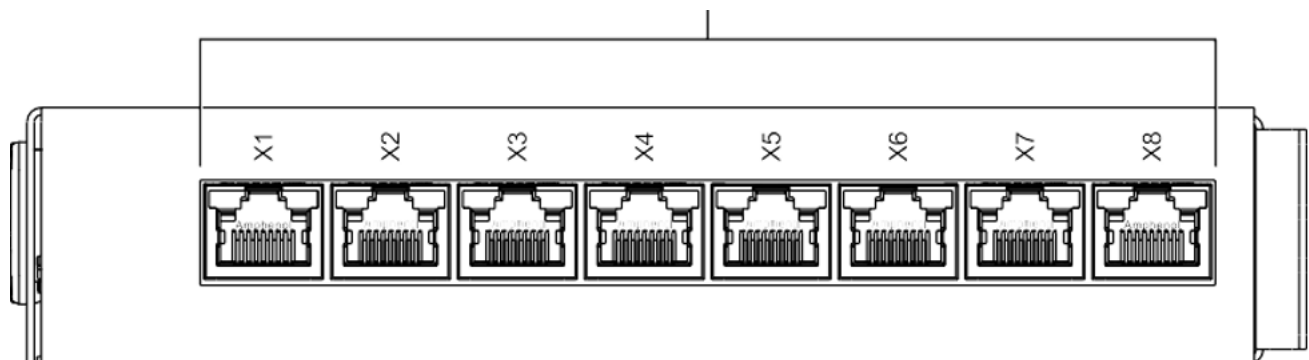
Weight: appr. 500 g



Bottom View

Thyru XD power controller connection to the X1 through X8 connectors on the bottom of the Advanced Bus Module. The RJ-45 cable should be less than 30 m in length.

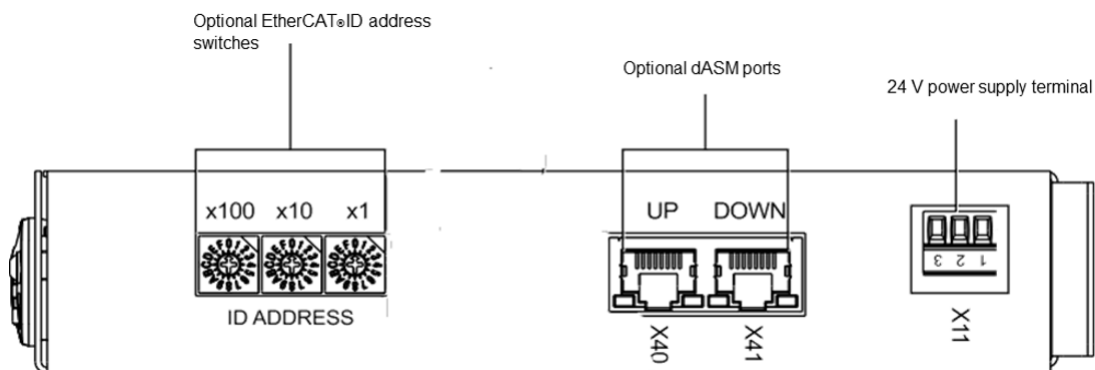
X1 to X8 connections for connecting power controllers and sensors



MECHANICAL SPECIFICATIONS

For industrial pyrometers, a special adapter are required

Top View with optional features



OPTIONALS

Options	
Advanced Bus Module S	Advanced Bus Module Standard with EtherCAT Switches
Advanced Bus Module D	Advanced Bus Module Standard with dASM and without EtherCAT Switches
Advanced Bus Module N	Advanced Bus Module Standard, without EtherCAT Switches, without, dASM
Anybus Digital Interface Card	Ethernet/IP®, EtherCAT® PROFIBUS®, PROFINET®, Modbus TCP/IP®
Thyro-Tool Pro PC	PC software for commissioning, visualization, configuration, and trending

AE industrial pyrometers series	Adapter type
Series 400 (UV 400 and UVR 400)	Ethernet to 8-pole UV and UVR
Series 12	Ethernet to standard 12-pole, 1 m
Series 12-LO	
Series 140	
Series 50-LO plus	
Series 6	
Series IN 5 plus	
Series 320	Ethernet to standard 12-pole, 1 m



For international contact information,
visit advancedenergy.com.

powersales@aei.com (Sales Support)
productsupport.ep@aei.com
(Technical Support)
+1 888 412 7832

ABOUT ADVANCED ENERGY

Advanced Energy (AE) has devoted more than four decades to perfecting power for its global customers. AE designs and manufactures highly engineered, precision power conversion, measurement and control solutions for mission-critical applications and processes.

AE's power solutions enable customer innovation in complex semiconductor and industrial thin film plasma manufacturing processes, demanding high and low voltage applications, and temperature-critical thermal processes.

With deep applications know-how and responsive service and support across the globe, AE builds collaborative partnerships to meet rapid technological developments, propel growth for its customers and power the future of technology.

PRECISION | POWER | PERFORMANCE | TRUST

Specifications are subject to change without notice. Not responsible for errors or omissions. ©2025 Advanced Energy Industries, Inc. All rights reserved. Advanced Energy®, and AE® are U.S. trademarks of Advanced Energy Industries, Inc.



Mouser Electronics

Authorized Distributor

Click to View Pricing, Inventory, Delivery & Lifecycle Information:

[Advanced Energy:](#)

[2000190030](#)