

The history of revision change for the specification

Document	REV.	Modified date	Description
CYNVA-175-003	A0	2017.5.23	New Approval
CYNVA-175-003	A1	2017.6.20	1. May -> Jun. 2. Remove spec of 5R0 ; remove curve of 5R0
CYNVA-175-003	A2	2017.11.6	1. Jun. -> Nov. 2. Add notice "AEC-Q200 qualified" in Features 3. Remove notice "Preliminary specification" 4. Update figure of packaging (Carrier)
CYNVA-175-003	A3	2018.3.14	1. Add "AEC-Q200" logo on page 2 2. Nov., 2017 -> Mar., 2018 3. Year code 2017 = 7 -> 2018 = 8
CYNVA-175-003	A4	2019.7.17	1. Update the figure of Land Pattern 2. Mar., 2018 -> Jul., 2019 3. Year code 2018 = 8 -> 2019 = 9
CYNVA-175-003	A5	2019.9.24	1. Add 5R0 spec and curve 2. Jul. -> Sep.
CYNVA-175-003	A6	2019.11.22	1. Add 6R8 spec and curve 2. Sep. -> Nov.
CYNVA-175-003	A7	2020.1.20	1. Nov., 2019 -> Jan., 2020 2. Year code 2019 = 9 -> 2020 = 0 3. Remove frequency: (1MHz) from Features 4. Add 1R0, 2R2 spec and curve
CYNVA-175-003	A8	2021.8.2	1. Jan., 2020 -> Aug., 2021 2. Year code: 2020 = 0 -> 2021 = 1 3. Add Rated voltage (V): 75V
CYNVA-175-003	A9	2024.09.13	1. Aug., 2021 -> Sep., 2024 2. Year code 2021 = 1 -> 2024 = 4 3. Add notice 'Shielded construction' in Features 4. Reflow Soldering : 217°C -> ≥217°C

AEC-Q200

Power Choke Coil VAMV06077E MM2 type

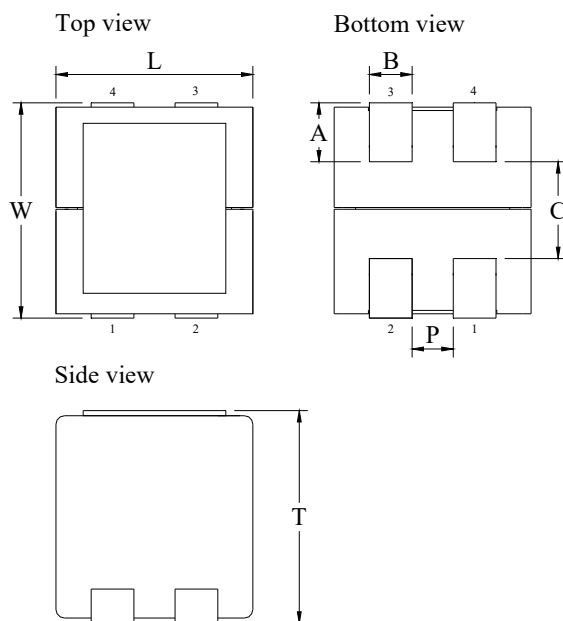
■ Features

High performance (Isat) realized by metal dust core.
 Low profile : Thickness 7.5mm Max.
 Low loss realized with low DCR
 Capable of corresponding high frequency
 Compliance with RoHS and Halogen Free
 Shielded construction
 AEC-Q200 qualified

■ Application

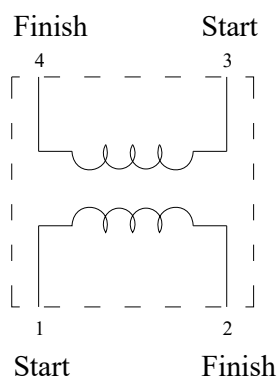
Automotive applications

■ Outline Dimensions



Code	Dimensions (mm)
L	6.9 ± 0.2
W	7.6 ± 0.2
T	7.3 ± 0.2
A	2.0 ± 0.2
B	1.65 ± 0.20
C	3.4 typ.
P	1.6 ± 0.2

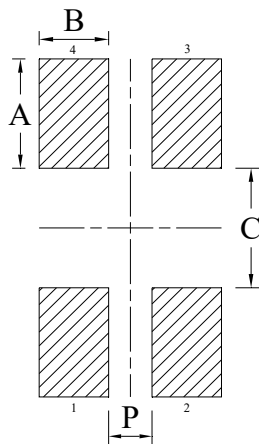
■ Schematic



■ Recommend Land Pattern Dimensions

The customer shall determine the land dimensions shown below after confirming and safety.

Top view



A	3.20
B	2.00
C	3.55
P	1.25

Unit : mm

■ Marking and Date Code

(1) Marking

The inductor is marked with a 3-digit code.

Example -- 10.0 μ H \rightarrow 100

(2) Date code

X XX
 (1) (2)
XXX
 (3)

Where (1) Year code

Ex : 2024 = 4

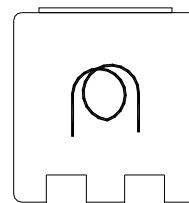
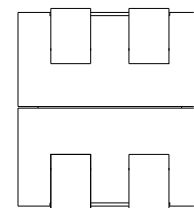
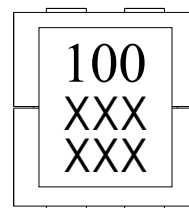
(2) Weekly code

Serial number : 01 ~ 53

(3) Taping no.

Serial number : 001 ~ ZZZ

Upside of Choke



■ Specifications

Part Number	L0 ◇ Inductance (μ H) @ (0A)	R _{dc} (m Ω) ◇		Heat Rating Current DC Amps. I _{dc} (A)		Saturation Current DC Amps. I _{sat} (A)		Rated Voltage (V)
		Typical	Maximum	Typical	Maximum	Typical	Maximum	Maximum
VAMV06077E-1R0MM2	1.0	5.4	6.5	9.8	8.8	19.3	16.5	75
VAMV06077E-2R2MM2	2.2	10.0	12.0	7.2	6.5	15.8	13.5	75
VAMV06077E-3R3MM2	3.3	16.0	19.2	5.7	5.1	13.0	11.1	75
VAMV06077E-5R0MM2	5.0	25.0	30.0	4.5	4.1	12.0	10.3	75
VAMV06077E-6R8MM2	6.8	36.0	43.2	4.0	3.6	8.8	7.5	75
VAMV06077E-8R2MM2	8.2	38.3	45.9	3.7	3.3	7.7	6.6	75
VAMV06077E-100MM2	10.0	43.0	49.0	3.5	3.2	6.8	5.8	75
VAMV06077E-150MM2	15.0	75.0	90.0	2.7	2.4	6.0	5.1	75
VAMV06077E-220MM2	22.0	112.0	134.0	2.2	2.0	4.3	3.7	75

◇ : Significant Characteristic

Note 1. : Inductance tolerance \pm 20%

Note 2. : All test data is referenced to 25°C ambient.

Note 3. : MS Level: Level 1.

Note 4. : Test condition:100KHz, 1.0Vrms

Note 5. : I_{dc} : DC current (A) that will cause an approximate Δ T of 40°C

Note 6. : I_{sat} : DC current (A) that will cause L0 to drop approximately 25%

Note 7. : Operating temperature range -55°C to + 125°C

Note 8. : The part temperature (ambient + temp rise) should not exceed 125°C under the worst case operating conditions. Circuit design, component placement, PCB trace size and thickness, airflow and other cooling provision all affect the part temperature. Part temperature should be verified in the end application.

Note 9. : The rated current as listed is either the saturation current or the heating current depending on which value is lower.

Note 10. : Cleaning process note

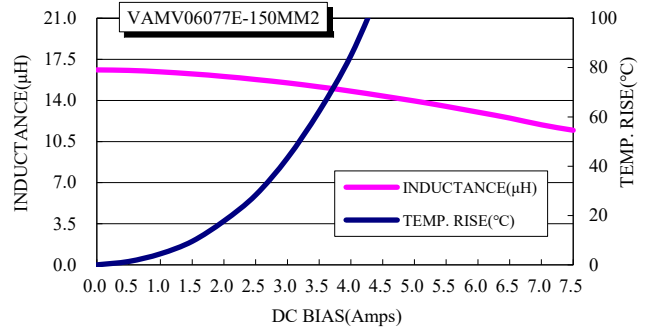
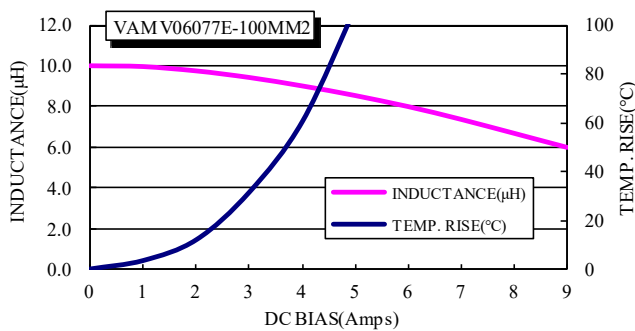
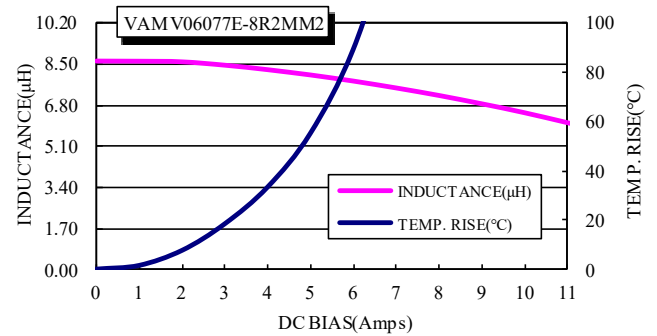
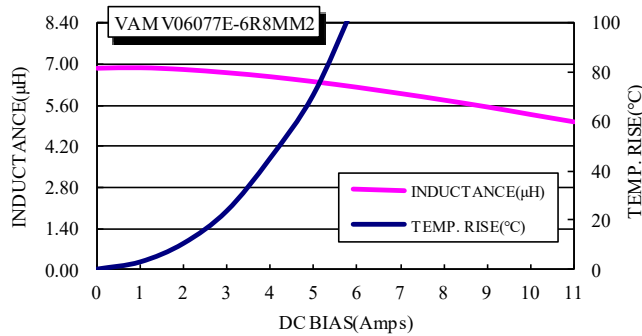
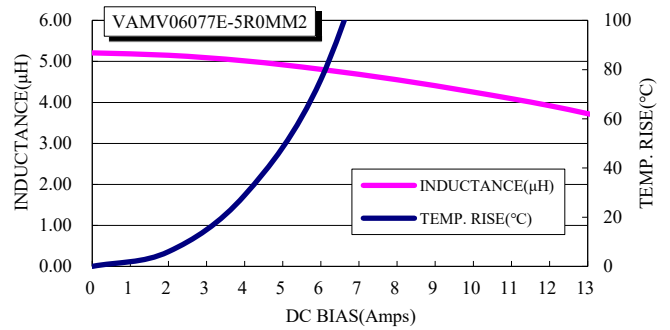
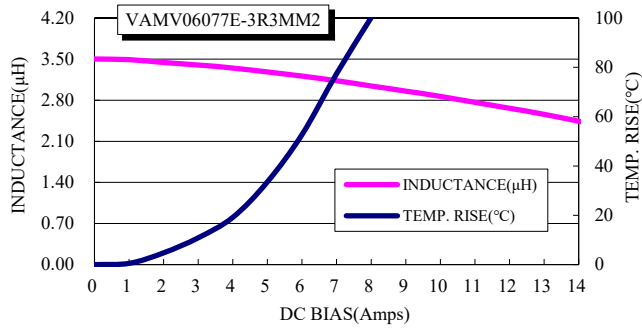
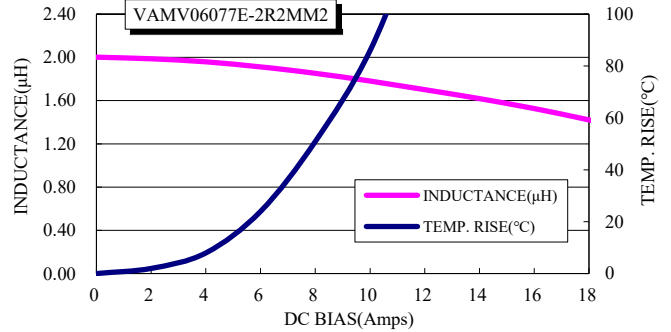
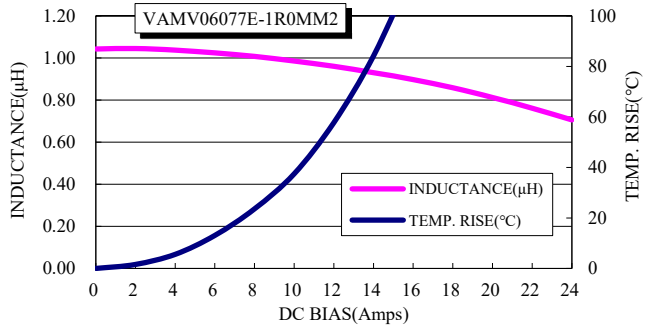
(a) If this power choke is dipped in the cleaning agent, such as toluene, xylene, ketone, and ether system, there is a possibility that the performance decreases greatly.

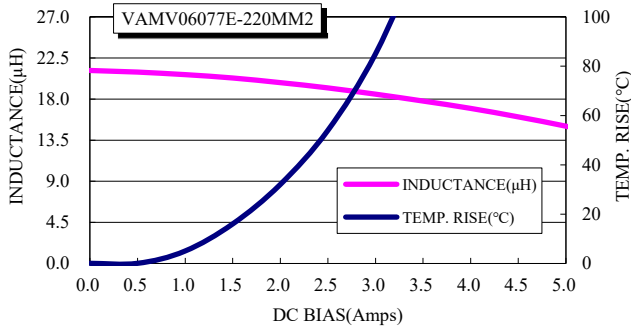
(b) The high power ultrasonic washing may damage the choke body.

(c) Please contact us if you need the cleaning via the above agents or ultrasonic washing.

Note 11. : If you require another part number, please contact with us.

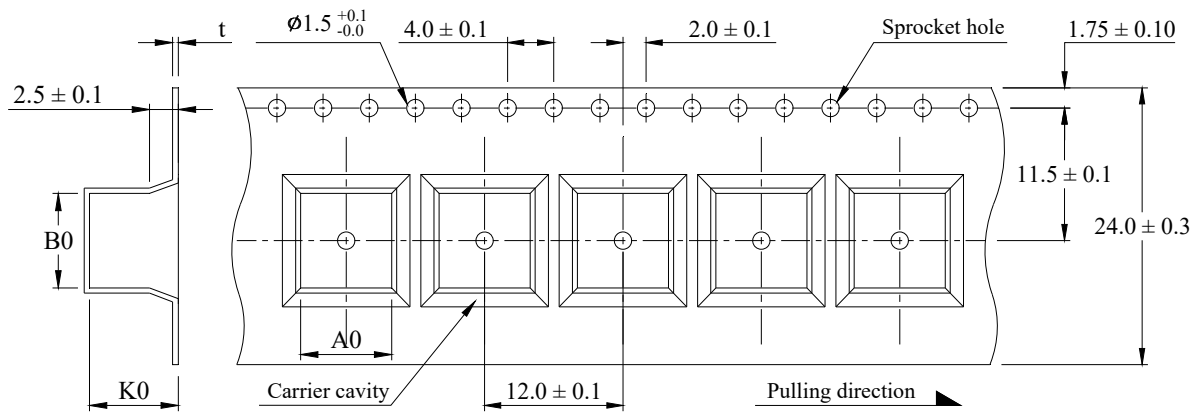
Current Characteristic





■ Packaging

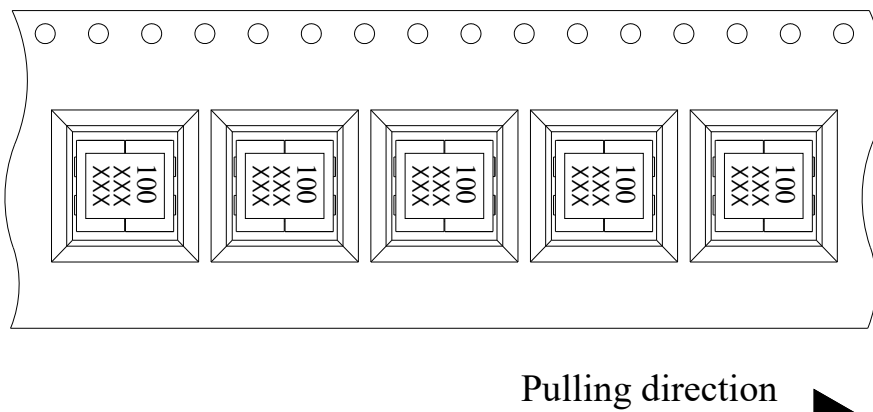
(1) Tape packaging dimensions



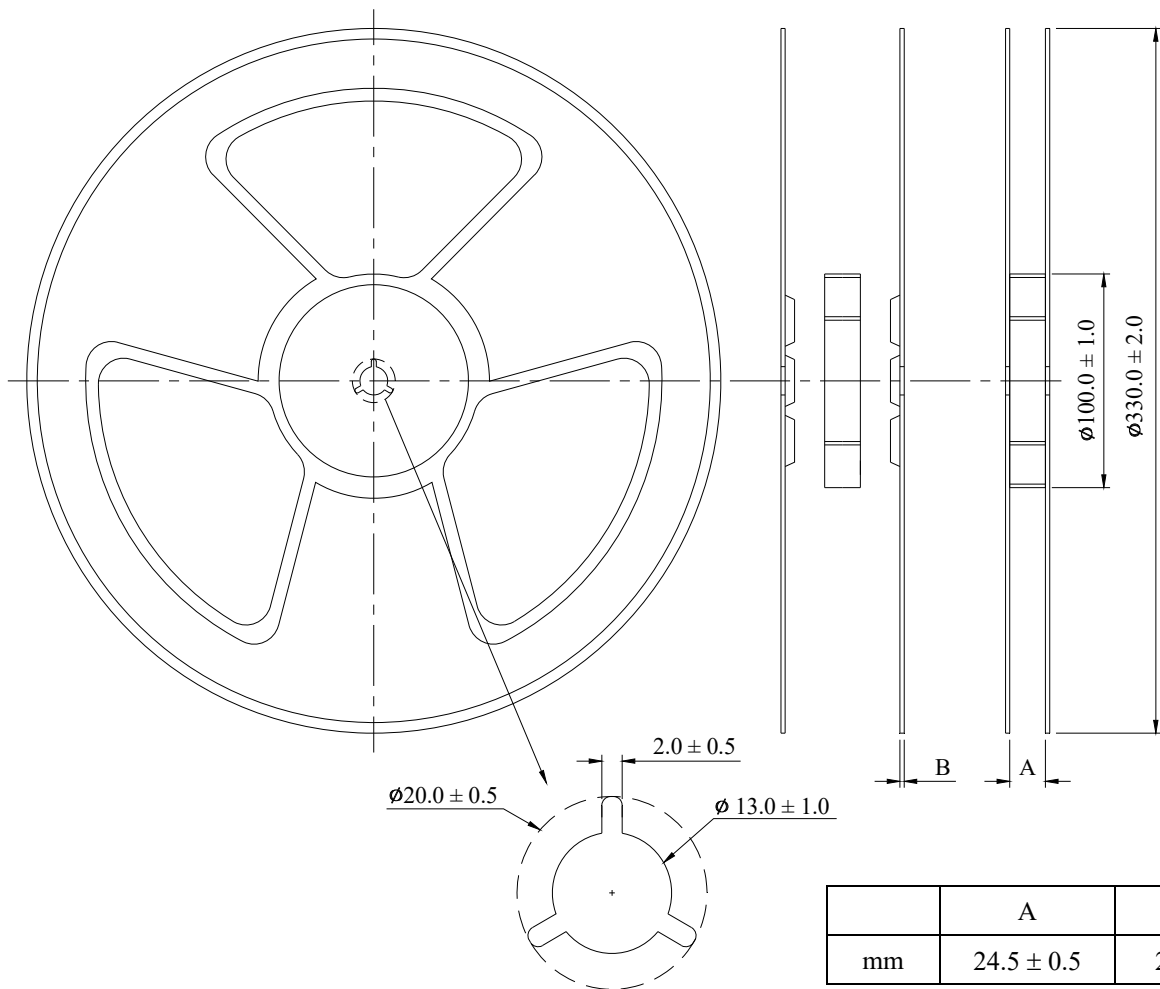
Dimensions Code (mm)				Units / Reel
A0	B0	K0	t	
7.9 ± 0.1	7.2 ± 0.1	7.7 ± 0.1	0.50 ± 0.05	600

(2) Tape direction

The direction shall be seen from the top cover tape side.



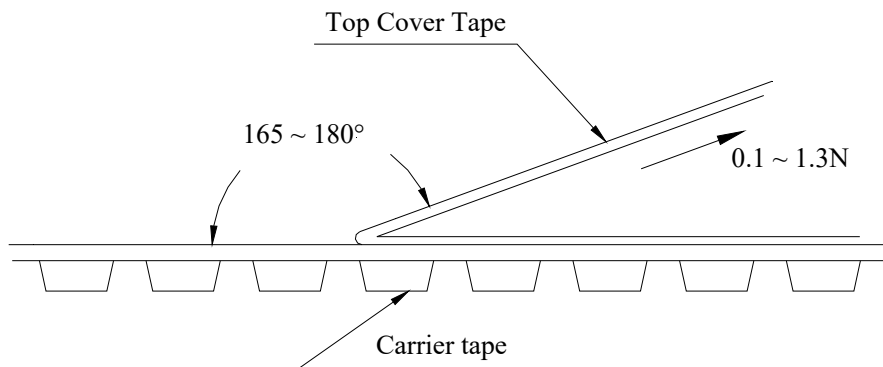
(3) Reel dimensions



(4) Peel force of top cover tape

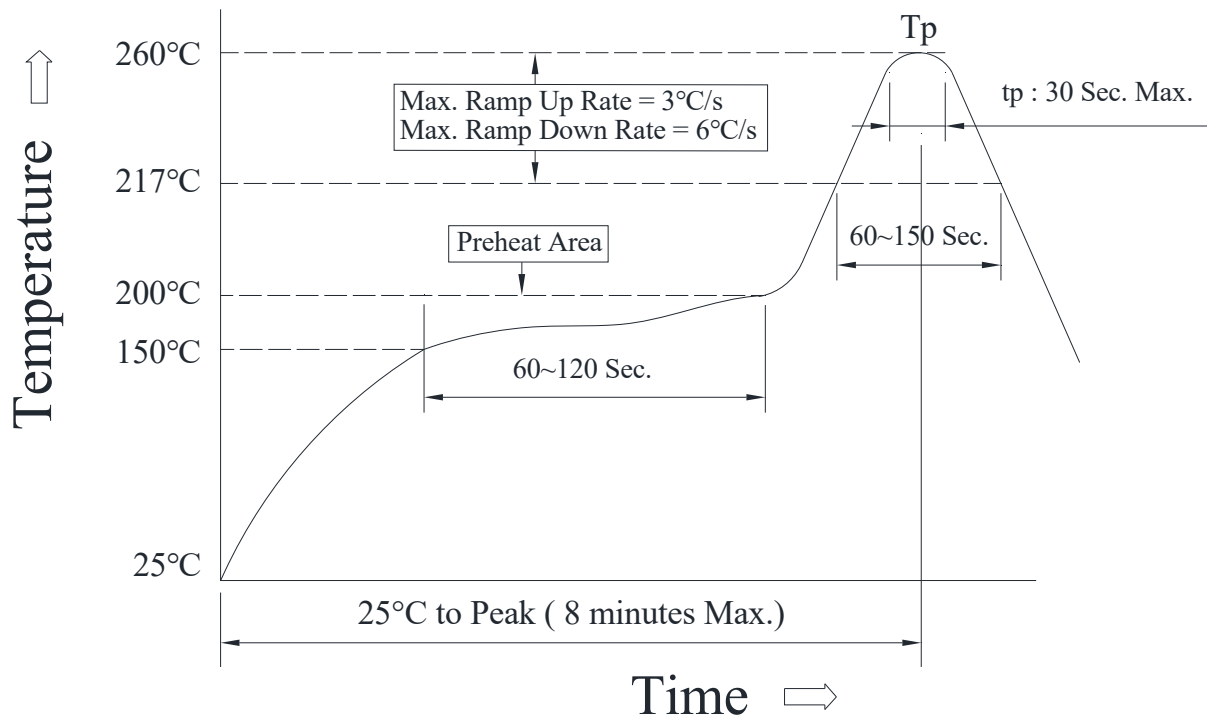
The peel speed shall be about 300 mm/minute.

The peel force of top cover tape shall be between 0.1 to 1.3N.



■ Reflow Profile

Power Choke Coil Type



(1) Reflow soldering method :

Reflow Soldering	Tp : 255~260°C	Max. 30 seconds (tp)
	≥ 217°C	60~150 seconds
Preheat	150~200°C	60~120 seconds
Time 25°C to peak temperature	8 minutes Max.	

(2) Soldering iron method : 350 ± 5°C 3 seconds Max.

Mouser Electronics

Authorized Distributor

Click to View Pricing, Inventory, Delivery & Lifecycle Information:

[Cyntec:](#)

[VAMV06077E-5R0MM2](#) [VAMV06077E-1R0MM2](#) [VAMV06077E-150MM2](#) [VAMV06077E-8R2MM2](#) [VAMV06077E-100MM2](#) [VAMV06077E-220MM2](#) [VAMV06077E-2R2MM2](#) [VAMV06077E-3R3MM2](#) [VAMV06077E-6R8MM2](#)